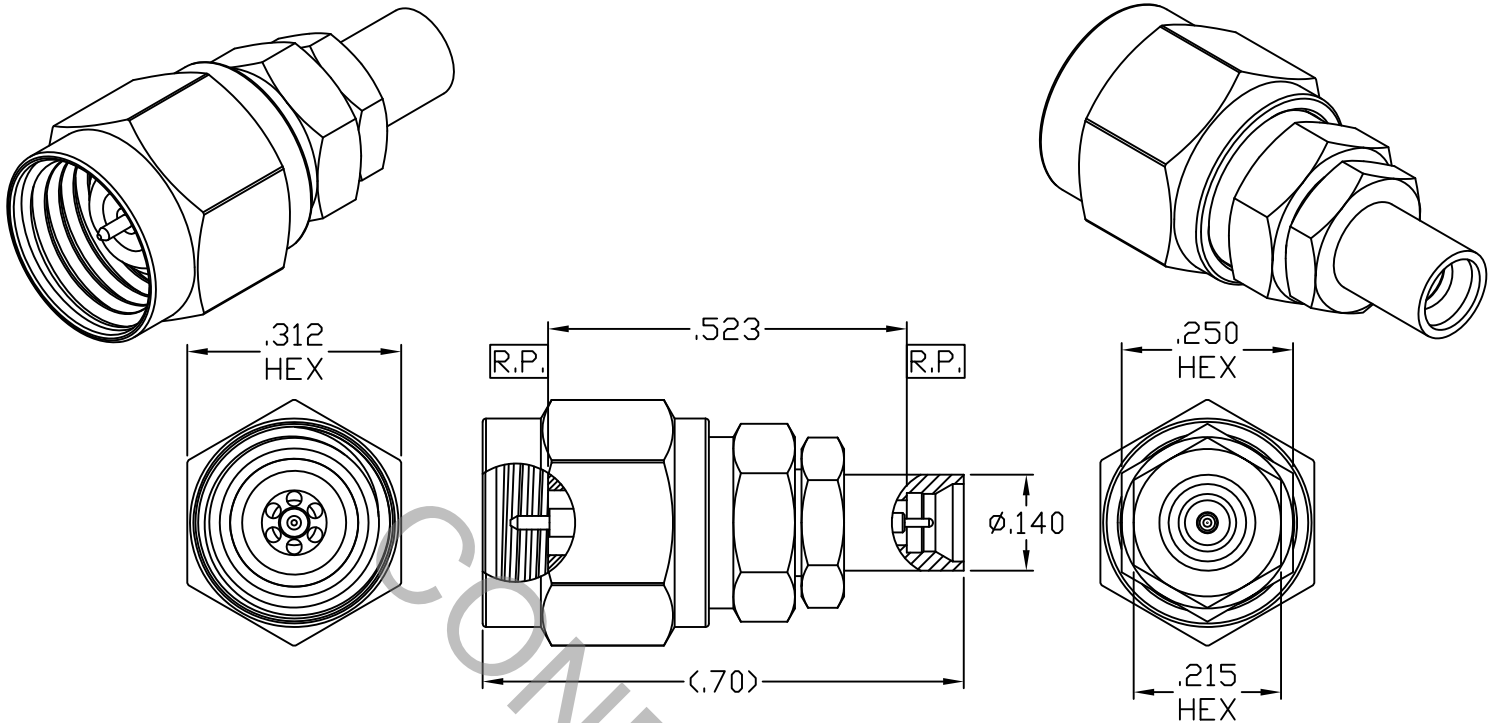


SPECIFICATION CONTROL DRAWING



1. MATING INTERFACE DIMENSIONS Per DYNAWAVE SPECIFICATION MD-12-1 (2.4mm PLUG) AND Per MIL-STD-348 Fig. 328.2 (SMPM MALE FULL DETENT).

2. ELECTRICAL

FREQUENCY RANGE GHz	_____	DC TO 40.0 GHz
VSWR (MAX) *	_____	1.06 + .006 x FGHz
INSERTION LOSS (dB MAX) *	_____	.04 dB x $\sqrt{\text{FGHz}}$
NOMINAL IMPEDANCE (OHMS)	_____	50
VOLTAGE RATING (MAX. VRMS)	_____	167
RF LEAKAGE (MIN. dB DOWN)	_____	N/A
TEMPERATURE RATING (DEGREES CENTIGRADE)	_____	-65°c TO + 125°c
DIELECTRIC WITHSTANDING VOLTAGE (MAX. VRMS)	_____	500
INSULATION RESISTANCE (MIN. MEGOHMS)	_____	5,000
CONTACT RESISTANCE		
• CENTER CONTACT (MAX. MILLIOHMS)	_____	6.0
• OUTER CONTACT (MAX. MILLIOHMS)	_____	2.0

* TERMINATED IN A 50 OHM LOAD

RoHS
COMPLIANT

REV.	DCN NO.	DATE	APP.	DIMENSIONS ARE IN INCHES TOLERANCES			 HAVERHILL, MA 01835	
AA	12-1443	5/31/12	DC	DECIMALS	FRACTIONAL	ANGULAR		
				.X ± .030 .XX ± .010 .XXX ± .005	± 1/64	X ° ± 1° 0' X ° X' ± 15'	TITLE 2.4mm MALE TO SMPM MALE FULL DETENT ADAPTER	
				DRAWN	DC	DATE		5/31/12
				APPROVED	DC	DATE		5/31/12
				CODE IDENT.			DWG. NO.	1100-1231-6250
				2J899	SHEET 1 OF 2			

SPECIFICATION CONTROL DRAWING

3. MECHANICAL

CAPTIVATION-CENTER CONTACT

MIN. AXIAL FORCE _____ 4.5 LBS.

MIN. RADIAL TORQUE _____ N/A

SMPM AXIAL FORCES

● INSERTION (MAX. POUNDS) _____ 6.5

● WITHDRAWAL (MIN. POUNDS) _____ 3.0

CONNECTOR ENGAGEMENT/DISENGAGEMENT (MAX. LBS.) _____ 2.4mm, 2.0

CONNECTOR DURABILITY (MIN. CYCLES) _____ 500

RECOMMENDED MATING TORQUE _____ 2.4mm, 7 - 10 IN. LBS., SMPM N/A

4. ENVIRONMENTAL

TEMPERATURE CYCLING _____ MIL-STD-202, METHOD 107, COND. C (-65° c TO + 125° c)

SHOCK _____ MIL-STD-202, METHOD 213, COND. I (100 G's)

VIBRATION _____ MIL-STD-202, METHOD 204, COND. D (20 G's)

MOISTURE RESISTANCE _____ MIL-STD-202, METHOD 106, LESS STEP 7b

CORROSION _____ MIL-STD-202, METHOD 101, COND. B (48 HOURS)

BAROMETRIC PRESSURE (ALTITUDE) _____ MIL-STD-202, METHOD 105, COND. C (70,000 FT.) (125 VRMS)

5. MATERIAL

BODIES & COUPLING NUT _____ STAINLESS STEEL PER ASTM-A-582, TYPE 303, COND. A

CONTACTS & RETAINING RING _____ BERYLLIUM COPPER PER ASTM-B-196/B, 196M-03, COPPER ALLOY No. UNS-C17300, TEMPER TD04.

SMPM INSULATOR _____ TEFLON PER ASTM-D-1710-02, TYPE 1, GRADE 1, CLASS B.

GASKET _____ SILICONE RUBBER PER ZZ-R-765.

2.4mm BEAD _____ PLASTIC COMPOSIT

6. FINISH

BODIES & COUPLING NUT _____ PASSIVATE PER AMS-2700, TYPE 2, CLASS 4.

CONTACTS _____ GOLD PER ASTM-B-488, TYPE I, CODE C, CLASS 0.75
(.000030 MIN. THK.) OVER NICKEL PER SAE-AMS-QQ-N-290
CLASS 1 (.000050 MIN. THK.) OVER COPPER PER AMS-2418
(.000010 MIN. THK.)

INSULATOR, BEAD, GASKET & RETAINING RING _____ N/A