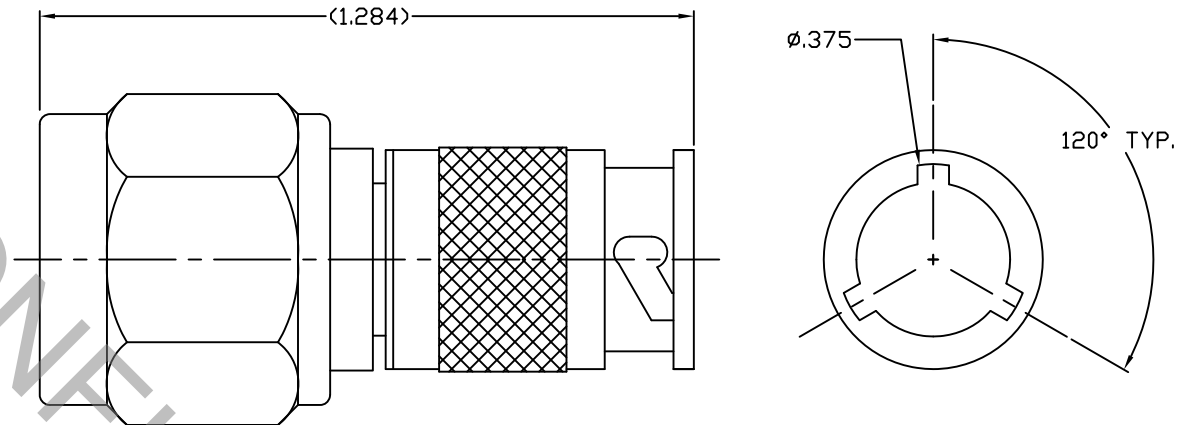


CONNECTOR SERIES: : TNC/ZMA
 NOMINAL IMPEDANCE: (OHMS) : 50
 FREQUENCY RANGE: : DC TO 18 GHz.

ELECTRICAL:
 VSWR MAXIMUM : 1.15 TO 18 GHz
 INSERTION LOSS MAXIMUM .05(SQRT(F(GHz)))



ITEM	MATERIALS	FINISHES
BODY	: 303 STAINLESS PER ASTM A582	: PASSIVATE PER ASTM A380
INSULATOR	: PTFE PER ASTM-D-1710	: N/A
CONTACT	: COPPER, BERYLLIUM PER ASTM-B-196	: GOLD PER MIL-G-45204

REV.	DCN NUMBER	DATE	APP.
AA	15-2158	8/17/15	DC

SPECIFICATION CONTROL DRAWING

dynawave
INCORPORATED
 Haverhill, MA. 01835

TITLE
**ZMA PLUG TO
 TNC PLUG ADAPTER**

DRAWN: RMS DATE: 8/13/15		
APPROVED: DC DATE: 8/17/15		
SCALE	CODE IDENT	SHEET
N/A	2J899	1 of 1

DRAWING
 NO. **1100-1484-6212**