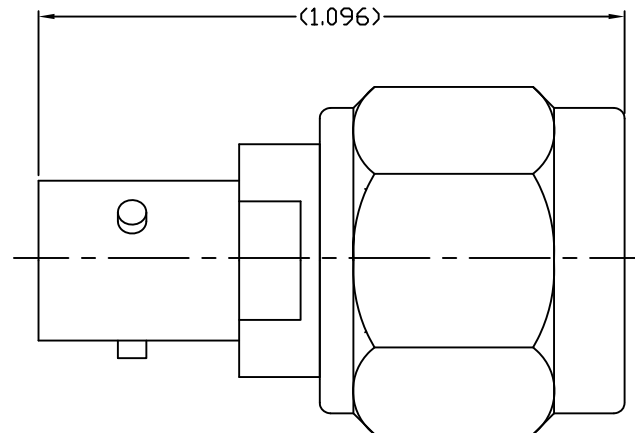
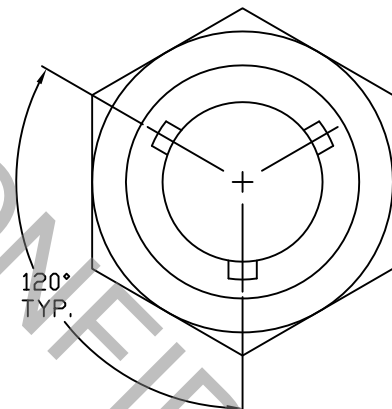


CONNECTOR SERIES: : TNC/ZMA  
 NOMINAL IMPEDANCE: (OHMS) : 50  
 FREQUENCY RANGE: : DC TO 18 GHz.


ELECTRICAL:  
 VSWR MAXIMUM : 1.15 TO 18 GHz  
 INSERTION LOSS MAXIMUM .05(SQRT(F(GHz)))



ITEM	MATERIALS	FINISHES
BODY	: 303 STAINLESS PER ASTM A582	: PASSIVATE PER ASTM A380
INSULATOR	: PTFE PER ASTM-D-1710	: N/A
CONTACT	: COPPER, BERYLLIUM PER ASTM-B-196	: GOLD PER MIL-G-45204

REV.	DCN NUMBER	DATE	APP.
AA	15-2148	8/12/15	DC

<b>SPECIFICATION CONTROL DRAWING</b>		
TOLERANCES DECIMALS      FRACTIONAL      DEGREES .X ±.030 .XX ±.010 .XXX ±.005		DRAWN: RMS      DATE: 8/11/15 APPROVED: DC      DATE: 8/12/15
± 1/16"	X° ± 1° 0' X° X' ± 15'	SCALE      CODE IDENT      SHEET N/A      2J899      1 of 1

  
 INCORPORATED  
 Haverhill, MA. 01835

TITLE  
**ZMA JACK TO  
 TNC PLUG**

DRAWING  
 NO. **1100-1484-6222**