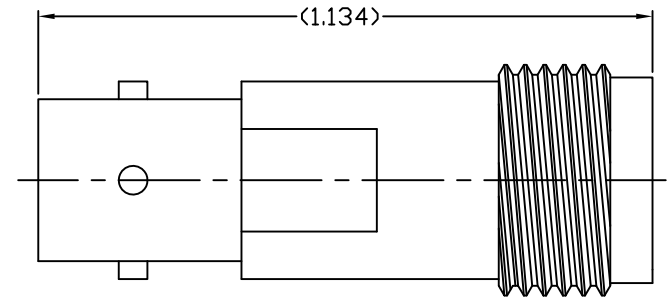
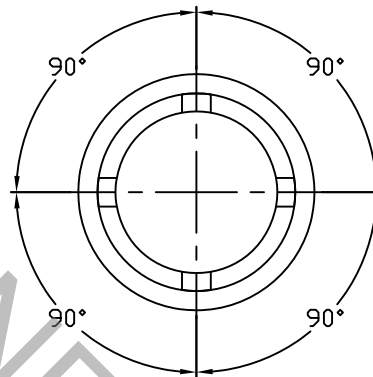


CONNECTOR SERIES: : TNC/ZMA  
 NOMINAL IMPEDANCE: (OHMS) : 50  
 FREQUENCY RANGE: : DC TO 18 GHz.

ELECTRICAL:  
 VSWR MAXIMUM : 1.15:1 TO 18 GHz  
 INSERTION LOSS MAXIMUM .05(SQRT(F(GHz)))



CONFIDENTIAL

ITEM	MATERIALS	FINISHES
BODY	: 303 STAINLESS PER ASTM A582	: PASSIVATE PER ASTM A380
INSULATOR	: ULTEM 1000	: N/A
INSULATOR	: PTFE PER ASTM-D-1710	: N/A
CONTACT	: COPPER, BERYLLIUM PER ASTM-B-196	: GOLD PER MIL-G-45204

REV.	DCN NUMBER	DATE	APP.
AA	15-2148	8/12/15	DC

## SPECIFICATION CONTROL DRAWING

**dynawave**  
INCORPORATED  
 Haverhill, MA. 01835

TITLE  
**ZMA JACK  
 TO TNC JACK**

DECIMALS .X ±.030 .XX ±.010 .XXX ±.005	TOLERANCES FRACTIONAL ± 1/16"	DEGREES X°±1°0' X°X'±15'	DRAWN: RMS DATE: 8/11/15		
			APPROVED: DC DATE: 8/12/15		
SCALE	CODE IDENT	SHEET	DRAWING NO. 1100-1485-6219		
N/A	2J899	1 of 1			