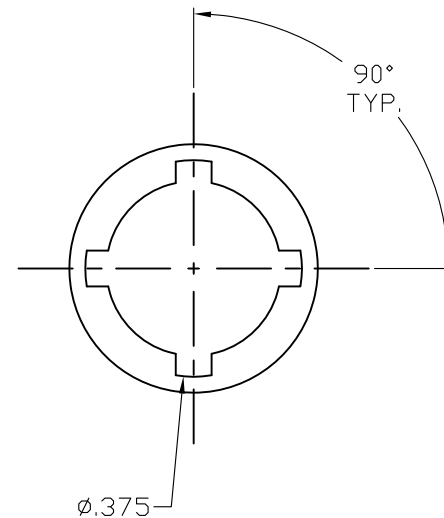
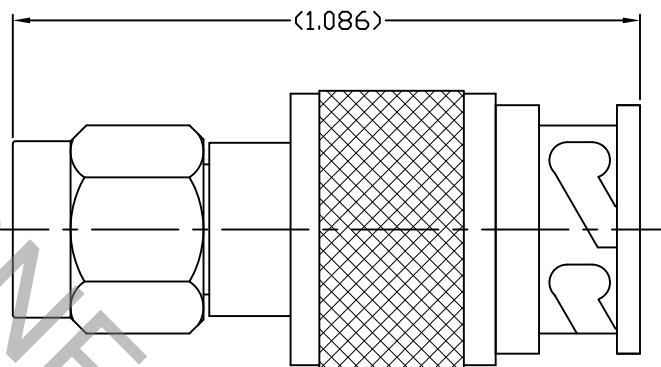


CONNECTOR SERIES: : SMA/ZMA  
 NOMINAL IMPEDANCE: (OHMS) : 50  
 FREQUENCY RANGE: : DC TO 18 GHz.

ELECTRICAL:  
 VSWR MAXIMUM : 1.2 TO 18 GHz  
 INSERTION LOSS MAXIMUM  $.05\sqrt{\text{FREQUENCY}}$



ITEM	MATERIALS	FINISHES
BODY	: 303 STAINLESS PER ASTM A582	: PASSIVATE PER ASTM A380
INSULATOR	: PTFE PER ASTM-D-1710	: N/A
CONTACT	: COPPER, BERYLLIUM PER ASTM-B-196	: GOLD PER MIL-G-45204

REV.	DCN NUMBER	DATE	APP.
AA	15-2158	8/17/15	DC

## SPECIFICATION CONTROL DRAWING

**dynawave**  
INCORPORATED  
 Haverhill, MA. 01835

TITLE  
**ZMA PLUG TO  
 SMA PLUG**

TOLERANCES			DRAWN: RMS	DATE: 8/13/15
DECIMALS	FRACTIONAL	DEGREES	APPROVED: DC	DATE: 8/17/15
.X ±.030		X°±1°0'	SCALE	CODE IDENT
.XX ±.010	± 1/16"	X°X'±15'	N/A	2J899
.XXX ±.005			SHEET	1 of 1

DRAWING  
 NO. **1100-1498-6209**