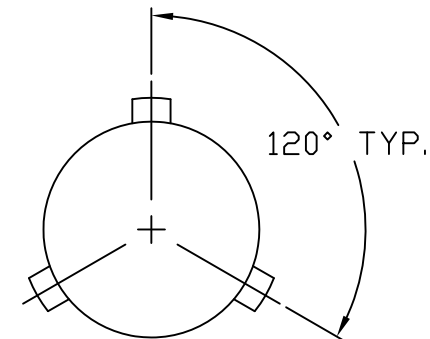
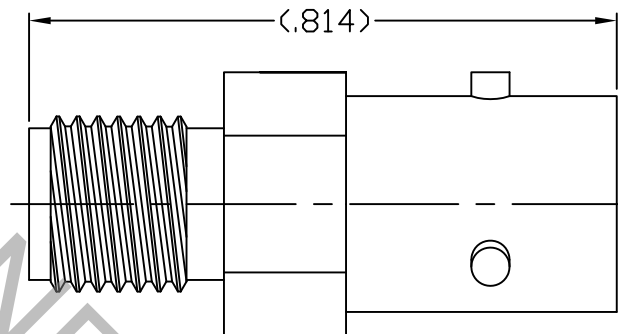


CONNECTOR SERIES: : SMA/ZMA
 NOMINAL IMPEDANCE: (OHMS) : 50
 FREQUENCY RANGE: : DC TO 18 GHz.

ELECTRICAL:
 VSWR MAXIMUM : 1.15 TO 18 GHz
 INSERTION LOSS MAXIMUM $.05\sqrt{\text{FREQUENCY}}$



CONFIDENTIAL

ITEM	MATERIALS	FINISHES
BODY	: 303 STAINLESS PER ASTM A582	: PASSIVATE PER ASTM A380
INSULATOR	: PTFE PER ASTM-D-1710	: N/A
CONTACT	: COPPER, BERYLLIUM PER ASTM-B-196	: GOLD PER MIL-G-45204

REV.	DCN NUMBER	DATE	APP.
AA	15-2148	8/12/15	DC

SPECIFICATION CONTROL DRAWING

dynawave
INCORPORATED
 Haverhill, MA. 01835

TITLE
**ZMA JACK TO
 SMA JACK**

DECIMALS .X ±.030 .XX ±.010 .XXX ±.005	TOLERANCES FRACTIONAL ± 1/16"	DEGREES X°±1°0' X°X'±15'	DRAWN: RMS DATE: 8/12/15		
			APPROVED: DC DATE: 8/12/15		
SCALE	CODE IDENT	SHEET	DRAWING NO. 1100-1499-6222		
N/A	2J899	1 of 1			