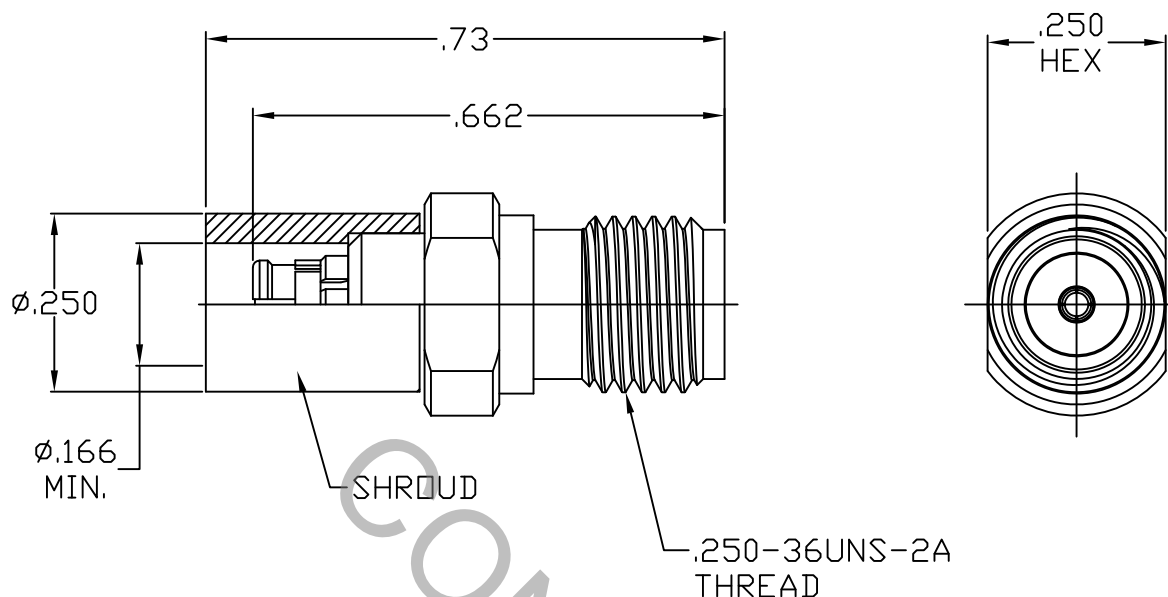


# SPECIFICATION CONTROL DRAWING




1. MATING INTERFACE DIMENSIONS Per MIL-STD-348 Fig. 310.2 (SMA JACK)  
AND Per MIL-STD-348 Fig. 326.1A (SMP FEMALE)

## 2. ELECTRICAL

|   |       |                               |
|---|-------|-------------------------------|
| FREQUENCY RANGE GHz                         | _____ | DC TO 26.5 GHz                |
| VSWR (MAX) *                                | _____ | 1.05 + .010 x FGHz            |
| INSERTION LOSS (dB MAX) *                   | _____ | .10 dB x $\sqrt{\text{FGHz}}$ |
| NOMINAL IMPEDANCE (OHMS)                    | _____ | 50                            |
| VOLTAGE RATING (MAX. VRMS)                  | _____ | 190                           |
| RF LEAKAGE (MIN. dB DOWN)                   | _____ | -85 dB - FGHz                 |
| TEMPERATURE RATING (DEGREES CENTIGRADE)     | _____ | -65°C TO + 165°C              |
| DIELECTRIC WITHSTANDING VOLTAGE (MAX. VRMS) | _____ | 500                           |
| INSULATION RESISTANCE (MIN. MEGOHMS)        | _____ | 5,000                         |
| CONTACT RESISTANCE                          |       |                               |
| • CENTER CONTACT (MAX. MILLIOHMS)           | _____ | 3.0                           |
| • OUTER CONTACT (MAX. MILLIOHMS)            | _____ | 2.0                           |

\* TERMINATED IN A 50 OHM LOAD

**RoHS**  
COMPLIANT

| REV. | DCN NO. | DATE    | APP. | DIMENSIONS ARE IN INCHES<br>TOLERANCES             |                      |   | <br>HAVERHILL, MA 01835 |
|------|---------|---------|------|--|----------------------|---|--|
| AA   | 10-1802 | 8/31/10 | TS   | DECIMALS<br>.X ± .030<br>.XX ± .010<br>.XXX ± .005 | FRACTIONAL<br>± 1/64 | ANGULAR<br>X ° ± 1° 0'<br>X ° X' ± 15'                      |  |
|      |         |         |      | DRAWN TS   | DATE 8/31/10         | TITLE<br>SMP FEMALE<br>(WITH SHROUD)<br>TO SMA JACK ADAPTER |  |
|      |         |         |      | APPROVED DC  | DATE 8/31/10         |   |  |
|      |         |         |      | CODE IDENT.<br>2J899                               | SHEET 1 OF 2         | DWG. NO. 1100-2099-5402                                     |  |

# SPECIFICATION CONTROL DRAWING

## 3. MECHANICAL

### CAPTIVATION-CENTER CONTACT

MAX AXIAL FORCE \_\_\_\_\_ 4.0 LBS.

MAX RADIAL TORQUE \_\_\_\_\_ N/A

### CENTER CONTACT AXIAL FORCES

● INSERTION (MAX. OUNCES) \_\_\_\_\_ INTERFACE 32.0

● WITHDRAWAL (MIN. OUNCES) \_\_\_\_\_ INTERFACE 2.0

### CONNECTOR ENGAGEMENT/DISENGAGEMENT (MAX. LBS.) \_\_\_\_\_ SMA, 2.0

SMP FULL DETENT (LBS.) \_\_\_\_\_ 15.0 MAX / 5.0 MIN.

SMP LIMITED DETENT (LBS.) \_\_\_\_\_ 10.0 MAX / 2.0 MIN.

SMP SMOOTH BORE (LBS.) \_\_\_\_\_ 2.0 MAX / 0.5 MIN.

CONNECTOR DURABILITY (MIN. CYCLES) \_\_\_\_\_ 100 (FD), 250 (LD), 1,000 (SB)

RECOMMENDED MATING TORQUE \_\_\_\_\_ SMA 7 - 10 IN. LBS., SMP N/A

## 4. ENVIRONMENTAL

THERMAL SHOCK \_\_\_\_\_ MIL-STD-202, METHOD 107, COND. B ( -65° c TO +165° c )

SHOCK \_\_\_\_\_ MIL-STD-202, METHOD 213, COND. I (100 G's)

VIBRATION \_\_\_\_\_ MIL-STD-202, METHOD 204, COND. D (20 G's)

MOISTURE RESISTANCE \_\_\_\_\_ MIL-STD-202, METHOD 106, LESS STEP 7b

CORROSION \_\_\_\_\_ MIL-STD-202, METHOD 101, COND. B (48 HOURS)

BAROMETRIC PRESSURE (ALTITUDE) \_\_\_\_\_ MIL-STD-202, METHOD 105, COND. C ( 70,000 FT. ) ( 125 VRMS )

## 5. MATERIAL

SMA BODY & SHROUD \_\_\_\_\_ STAINLESS STEEL PER ASTM-A-582, TYPE 303, COND. A

SMP BODY, CONTACT, EMI RING AND ANTI-ROCK RING \_\_\_\_\_ BERYLLIUM COPPER PER ASTM-B-196/B, 196M-03, COPPER ALLOY No. UNS-C17300, TEMPER TD04.

INSULATOR \_\_\_\_\_ TEFLON PER ASTM-D-1710-02, TYPE 1, GRADE 1, CLASS B.

## 6. FINISH

BODY'S \_\_\_\_\_ GOLD PER ASTM-B-488, TYPE I, CODE C, CLASS 1.25  
(.000050 MIN. THK.) OVER NICKEL PER SAE AMS QQ-N-290, CLASS 1,  
(.000150 MIN. THK.) OVER COPPER PER AMS 2418,  
(.000010 MIN. THK.)

CONTACT \_\_\_\_\_ GOLD PER ASTM-B-488, TYPE I, CODE C, CLASS 2.5  
(.000100 MIN. THK.) OVER NICKEL PER SAE AMS QQ-N-290, CLASS 1,  
(.000050 MIN. THK.) OVER COPPER PER AMS 2418,  
(.000010 MIN. THK.)

INSULATOR \_\_\_\_\_ N/A