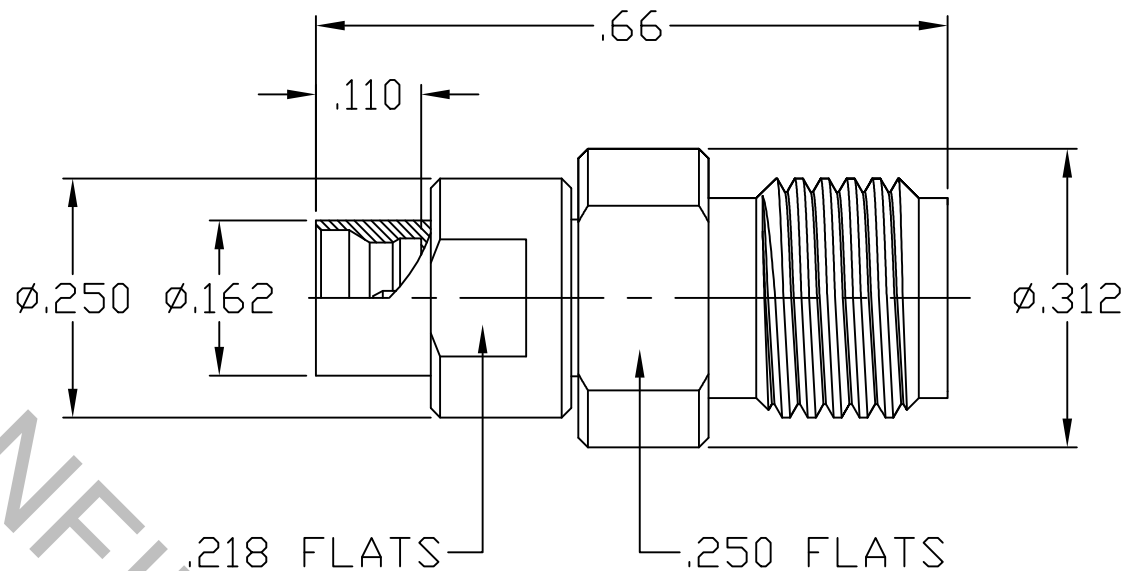


ADAPTER SERIES: : SMP / 2.92mm
 CENTER CONDUCTOR END 1: : MALE PIN
 CENTER CONDUCTOR END 2: : FEMALE SOCKET
 NOMINAL IMPEDANCE: (OHMS) : 50
 CONTACT CAPTIVATION: : 6.0 LBS.
 FREQUENCY RANGE: : DC TO 40 GHz.
 QPL SPECIFICATION: : N/A
 QPL EQUIVALENT: : N/A

MATING CHARACTERISTICS : MIL-STD-348-326.2
 : MIL-STD-348-323.2
 INSERTION FORCE : 15.0 LBS. MAX SMP
 WITHDRAWAL FORCE : 5.0 LBS. MIN SMP
 MATING TORQUE 2.92mm : 7 TO 10 POUND INCHES
 MOUNTING TORQUE : N/A
 TEMPERATURE RANGE : -25 / +125 DEGREES C.

ELECTRICAL:
 MAX. VSWR 1.0 TO 26.5 GHz. : 1.05 + .005 x FGHz
 MAX. VSWR 26.6 TO 40.0 GHz. : 1.05 + .010 x FGHz.
 INSERTION LOSS MAXIMUM : .045 x $\sqrt{\text{FGHz}}$
 R.F. LEAKAGE MINIMUM : -100 dB - F (F IN GHz.)
 D.C. RESISTANCE : 5,000 MOHMS MINIMUM



ITEM	MATERIALS	FINISHES
BODIES	: 303 STAINLESS PER ASTM-A-582	: PASSIVATE PER QQ-P-35
BEAD	: PLASIC COMPOSIT	: N/A
INSULATOR	: PTFE PER ASTM-D-1710	: N/A
CONTACTS	: COPPER, BERYLLIUM PER ASTM-B196	: GOLD PER ASTM-B-488

REV.	DCN NUMBER	DATE	APP.
AA	05-1535	5/2/05	DC

SPECIFICATION CONTROL DRAWING



TITLE
**SMP MALE, (FULL
 DETENT) TO 2.92 mm
 FEMALE, ADAPTER**

TOLERANCES			DRAWN: DC DATE: 5/2/05		
DECIMALS	FRACTIONAL	DEGREES	APPROVED: DC DATE: 5/2/05		
.X ±.030		X [°] ± 1° 0'	SCALE	CODE IDENT	SHEET
.XX ±.010	± 1/16"	X [°] X' ± 15'	N/A	2J899	1 of 1
.XXX ±.005					

DRAWING
 NO. **1100-2195-6250**