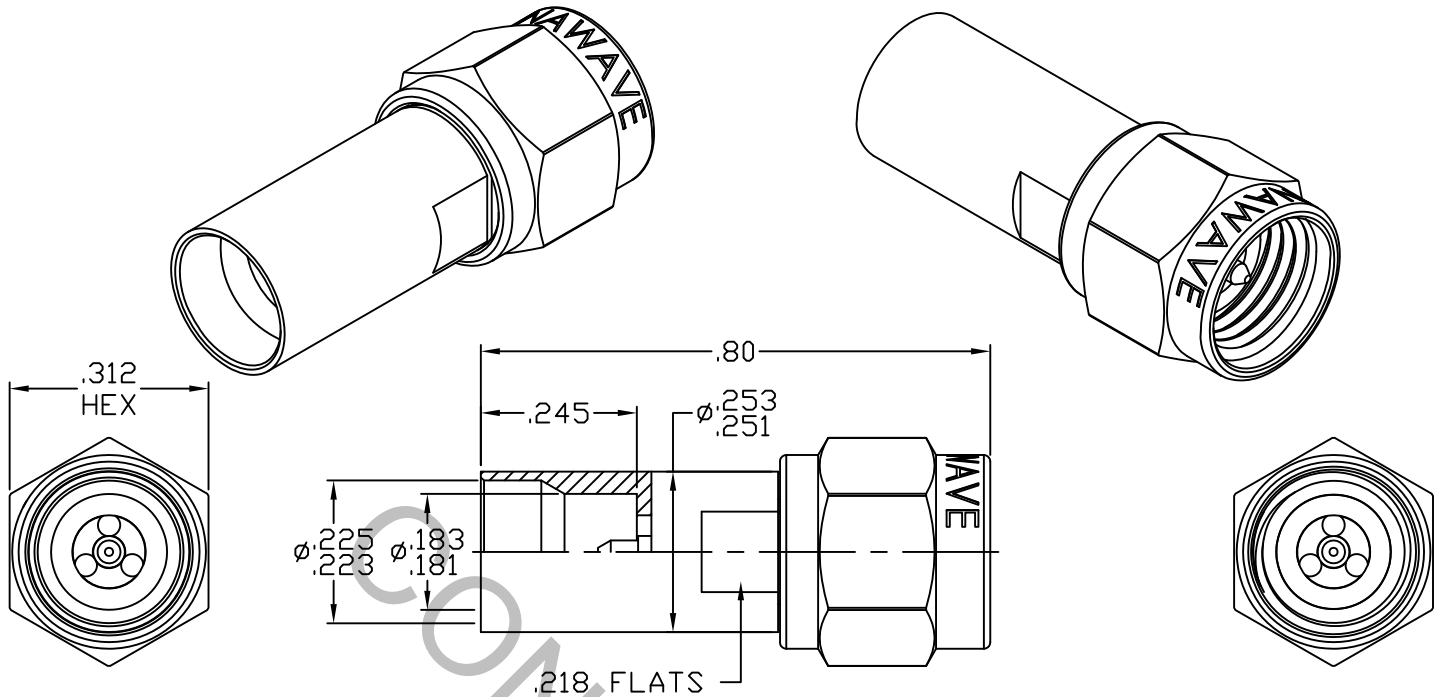


SPECIFICATION CONTROL DRAWING



1. MATING INTERFACE DIMENSIONS PER MIL-STD-348 Fig. 322.1 (BMB PLUG). MODIFIED FOR DIAMETER AND AIR DIELECTRIC. MATES TO 2560-7218-6242, 2560-8521-6242 AND 2560-4721-6242 AND PER MIL-STD-348 Fig. 323.1 (SMK PLUG).

2. ELECTRICAL

FREQUENCY RANGE GHz	_____	DC TO 40.0 GHz
VSWR (MAX) *	_____	1.05 + .005 x FGHz
INSERTION LOSS (dB MAX) *	_____	.05 dB x $\sqrt{\text{FGHz}}$
NOMINAL IMPEDANCE (OHMS)	_____	50
VOLTAGE RATING (MAX. VRMS)	_____	250
RF LEAKAGE (MIN. dB DOWN)	_____	100 dB - FGHz
TEMPERATURE RATING (DEGREES CENTIGRADE)	_____	-65°C TO + 125°C
DIELECTRIC WITHSTANDING VOLTAGE (MAX. VRMS)	_____	750
INSULATION RESISTANCE (MIN. MEGOHMS)	_____	5,000
CONTACT RESISTANCE		
• CENTER CONTACT (MAX. MILLIOHMS)	_____	6.0
• OUTER CONTACT (MAX. MILLIOHMS)	_____	2.0

* TERMINATED IN A 50 OHM LOAD

RoHS
COMPLIANT

This Document contains proprietary and confidential information.

REV.	DCN NO.	DATE	APP.	DIMENSIONS ARE IN INCHES TOLERANCES			INCORPORATED HAVERHILL, MA 01835
AA	18-1288	3/7/18	DC	DECIMALS	FRACTIONAL	ANGULAR	
				.X ± .030		X ° ± 1'0"	TITLE BMB PLUG TO 2.92mm PLUG ADAPTER
				.XX ± .010	± 1/64	X ° X' ± 15"	
				.XXX ± .005			
				DRAWN DC	DATE	3/7/18	DWG. NO. 1100-2494-6201
				APPROVED DC	DATE	3/7/18	
				CODE IDENT.	SHEET 1 OF 2		
				2J899			

SPECIFICATION CONTROL DRAWING

3. MECHANICAL

CAPTIVATION-CENTER CONTACT

MAX AXIAL FORCE _____ 4.5 LBS.

MAX RADIAL TORQUE _____ N/A

CENTER CONTACT AXIAL FORCES

● INSERTION (MAX OUNCES) _____ INTERFACE 32.0

● WITHDRAWAL (MIN. OUNCES) _____ INTERFACE 2.0

CONNECTOR ENGAGEMENT/DISENGAGEMENT (MAX IN. LBS.) — 2.0

CONNECTOR DURABILITY (MIN. CYCLES) _____ 500

RECOMMENDED MATING TORQUE _____ 7 - 10 IN. LBS.

4. ENVIRONMENTAL

TEMPERATURE CYCLING _____ MIL-STD-202, METHOD 102, COND. C (-65° c TO + 125° c)

SHOCK _____ MIL-STD-202, METHOD 213, COND. I (100 G's)

VIBRATION _____ MIL-STD-202, METHOD 204, COND. D (20 G's)

MOISTURE RESISTANCE _____ MIL-STD-202, METHOD 106, LESS STEP 7b

CORROSION _____ MIL-STD-202, METHOD 101, COND. B (48 HOURS)

BAROMETRIC PRESSURE (ALTITUDE) — MIL-STD-202, METHOD 105, COND. C (70,000 FT.) (190 VRMS)

5. MATERIAL

BODIES & COUPLING NUT _____ STAINLESS STEEL PER ASTM-A-582, TYPE 303, COND. A

CONTACTS & RETAINING RING _____ BERYLLIUM COPPER PER ASTM B196/B, 196M-03, COPPER ALLOY No. UNS-C17300, TEMPER TD04.

INSULATOR _____ PLASTIC COMPOSITE

GASKET _____ SILICONE RUBBER PER ZZ-R-765E CLASS 1 OR ASTM-3304 (RUST)

6. FINISH

BODIES & COUPLING NUT _____ PASSIVATE PER AMS 2700, TYPE 2, CLASS 4.

CONTACTS _____ GOLD PER ASTM-B-488, TYPE I, CODE C, CLASS 0.75
(.000030 MIN. THK.) OVER NICKEL PER SAE AMS QQ-N-290, CLASS 1
(.000050 MIN. THK.) OVER COPPER PER AMS 2418 (.000010 MIN. THK.)

INSULATOR, GASKET & RETAINING RING _____ N/A