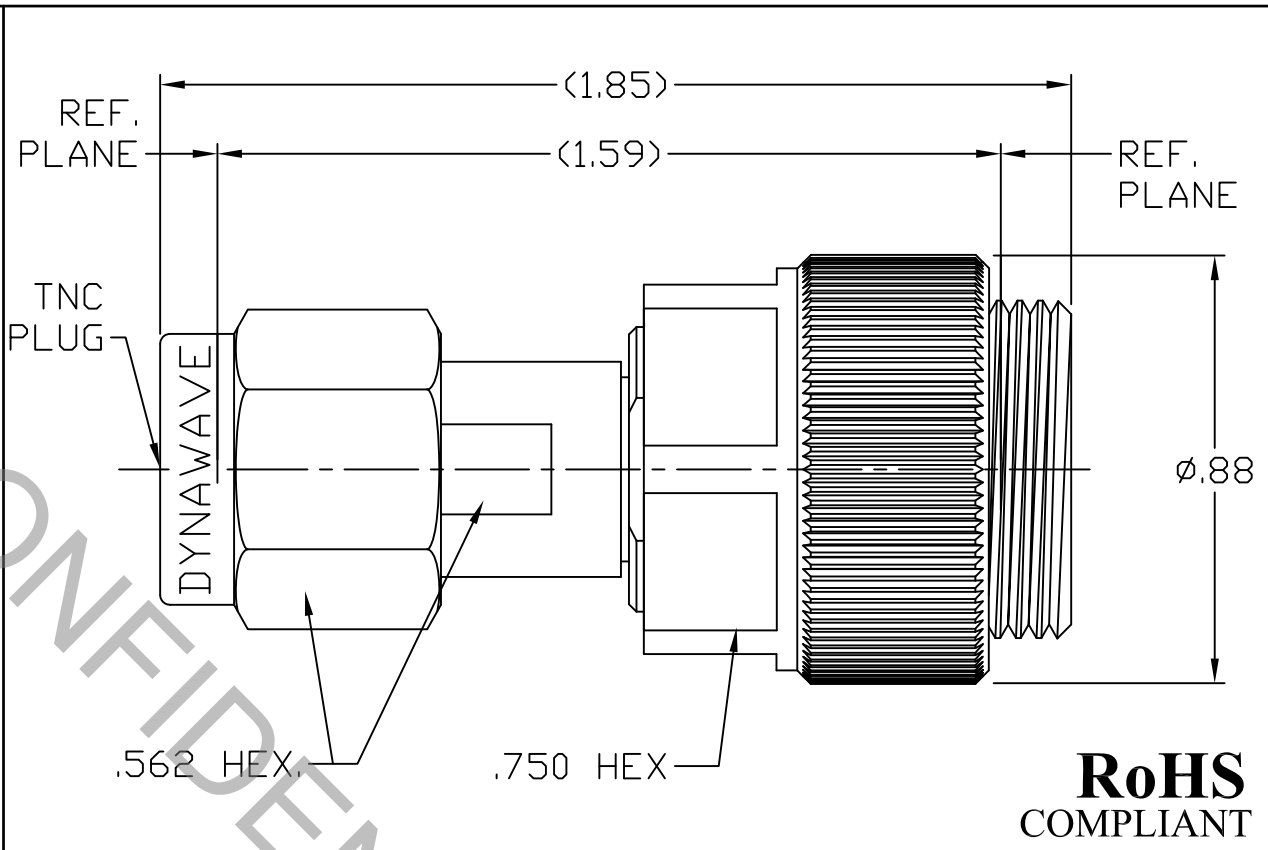


ADAPTER SERIES: : TNC / 7mm  
 CENTER CONDUCTOR END 1: : MALE CONTACT  
 CENTER CONDUCTOR END 2: : HERMAPHRODITIC  
 NOMINAL IMPEDANCE: (OHMS) : 50  
 CONTACT CAPTIVATION: : 6.0 LBS.  
 FREQUENCY RANGE: : DC TO 18 GHz.  
 QPL SPECIFICATION: : N/A  
 QPL EQUIVALENT: : N/A

MATING CHARACTERISTICS : MIL-STD-348-310.1  
 : IEEE-287  
 MATING TORQUE : 12 TO 15 POUND INCHES  
 7mm MATING TORQUE : 10 TO 15 POUND INCHES  
 MOUNTING TORQUE : N/A  
 TEMPERATURE RANGE : -55 / +85 DEGREES C.

ELECTRICAL:  
 VSWR MAXIMUM : 1.025 x F<sup>.01</sup> (F IN GHz.)  
 INSERTION LOSS MAXIMUM : .03 x F<sup>.5</sup> (F IN GHz.)  
 R.F. LEAKAGE MINIMUM : -100 dB  
 D.C. RESISTANCE : 5,000 MEGOHMS MIN.




**RoHS COMPLIANT**

ITEM	MATERIALS	FINISHES
BODIES	: 303 STAINLESS PER ASTM-A-582	: PASSIVATE PER QQ-P-35
COUPLING NUT	: 303 STAINLESS PER ASTM-A-582	: PASSIVATE PER QQ-P-35
THREAD RING	: 303 STAINLESS PER ASTM-A-582	: PASSIVATE PER QQ-P-35
INSULATOR	: PLASTIC COMPOSIT	: N/A
INSULATOR	: PTFE PER ASTM-D-1710	: N/A
CONTACTS	: COPPER, BERYLLIUM PER ASTM-B196	: GOLD PER ASTM-B-488

REV.	DCN NUMBER	DATE	APP.
AA	10-1158	2/15/10	TS
AB	15-1402	3/17/15	TS

<b>SPECIFICATION CONTROL DRAWING</b>		
TOLERANCES DECIMALS : .X ±.030 : .XX ±.010 : .XXX ±.005 FRACTIONAL : ± 1/16" DEGREES : X° ± 1'0" : X° X' ± 15"		DRAWN: TS      DATE: 2/15/10 APPROVED: DC      DATE: 2/15/10 SCALE : N/A CODE IDENT : 2J899 SHEET : 1 of 1

  
 INCORPORATED  
 Haverhill, MA. 01835

TITLE  
**TNC PLUG TO  
 7mm ADAPTER**

DRAWING  
 NO. **1100-4484-6200**