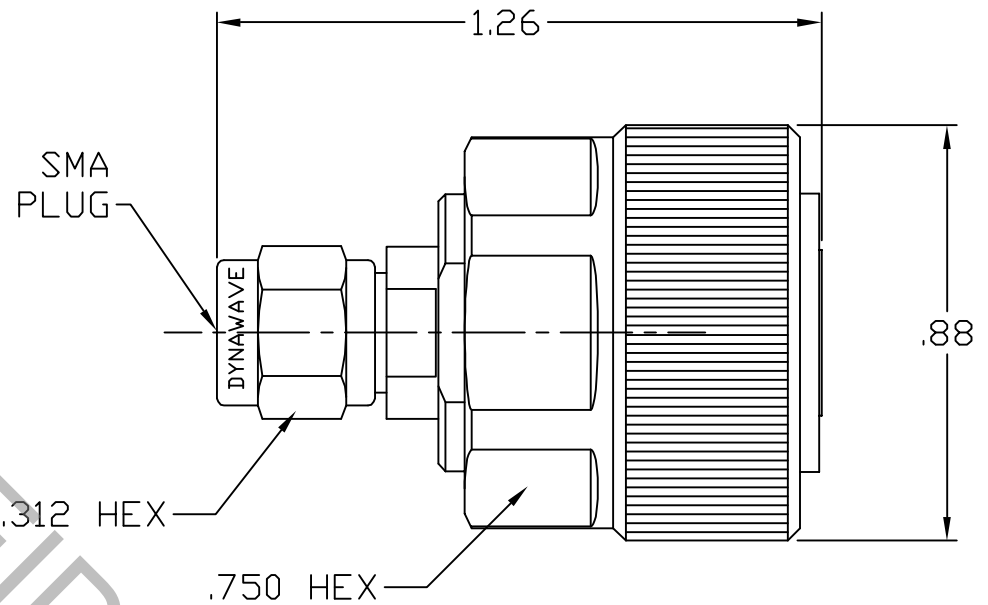


ADAPTER SERIES: : SMA / 7mm
 CENTER CONDUCTOR END 1: : MALE CONTACT
 CENTER CONDUCTOR END 2: : HERMAPHRODITIC
 NOMINAL IMPEDANCE: (OHMS) : 50
 CONTACT CAPTIVATION: : 6.0 LBS.
 FREQUENCY RANGE: : DC TO 18 GHz.
 QPL SPECIFICATION: : N/A
 QPL EQUIVALENT: : N/A

MATING CHARACTERISTICS : MIL-STD-348-310.1
 : IEEE-287
 MATING TORQUE : 7 TO 10 POUND INCHES
 7mm MATING TORQUE : 10 TO 15 POUND INCHES
 MOUNTING TORQUE : N/A
 TEMPERATURE RANGE : -55 / +85 DEGREES C.

ELECTRICAL:
 VSWR MAXIMUM : 1.025 x F^{.01} (F IN GHz.)
 INSERTION LOSS MAXIMUM : .03 x F^{.5} (F IN GHz.)
 R.F. LEAKAGE MINIMUM : -100 dB
 D.C. RESISTANCE : 5,000 MEGOHMS MIN.



ITEM	MATERIALS	FINISHES
BODIES	: 303 STAINLESS PER ASTM-A-582	: PASSIVATE PER QQ-P-35
COUPLING NUT	: 303 STAINLESS PER ASTM-A-582	: PASSIVATE PER QQ-P-35
THREAD RING	: 303 STAINLESS PER ASTM-A-582	: PASSIVATE PER QQ-P-35
INSULATOR	: PLASTIC COMPOSIT	: N/A
INSULATOR	: PTFE PER ASTM-D-1710	: N/A
CONTACTS	: COPPER, BERYLLIUM PER ASTM-B196	: GOLD PER ASTM-B-488

REV.	DCN NUMBER	DATE	APP.
AA	08-1330	3/24/08	TS
AB	08-1521	5/14/08	DC

SPECIFICATION CONTROL DRAWING

dynawave
INCORPORATED
 Haverhill, MA. 01835

TITLE
**SMA PLUG TO
 7mm ADAPTER**

TOLERANCES		
DECIMALS	FRACTIONAL	DEGREES
.X ±.030		X ^o ±1 ^o 0'
.XX ±.010	± 1/16"	X ^o X' ±15'
.XXX ±.005		

DRAWN: TS DATE: 3/24/08
 APPROVED: DC DATE: 3/24/08

SCALE	CODE IDENT	SHEET
N/A	2J899	1 of 1

DRAWING
 NO. **1100-4498-6200**