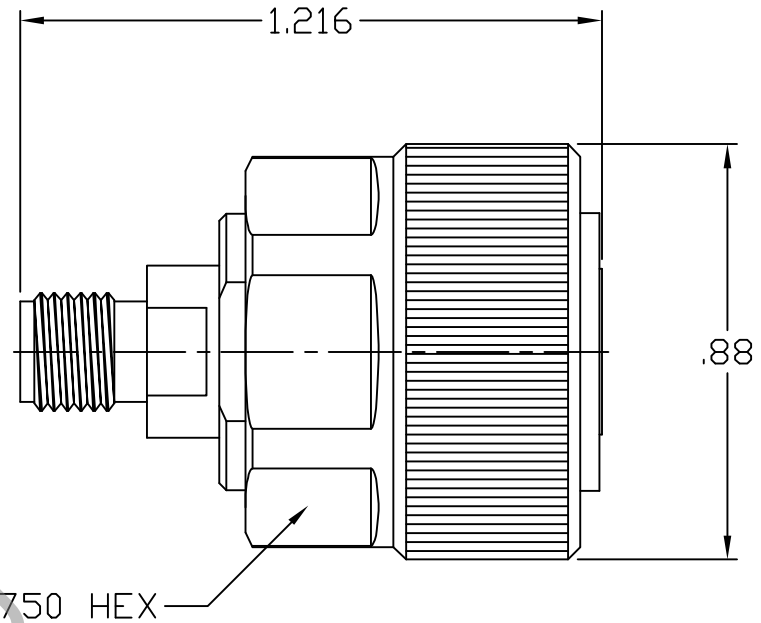


ADAPTER SERIES: : SMA / 7mm  
 CENTER CONDUCTOR END 1: : FEMALE SOCKET  
 CENTER CONDUCTOR END 2: : HERMAPHRODITIC  
 NOMINAL IMPEDANCE: (OHMS) : 50  
 CONTACT CAPTIVATION: : 6.0 LBS.  
 FREQUENCY RANGE: : DC TO 18 GHz.  
 QPL SPECIFICATION: : N/A  
 QPL EQUIVALENT: : N/A

MATING CHARACTERISTICS : MIL-STD-348-310.2  
 : IEEE-287  
 MATING TORQUE : 7 TO 10 POUND INCHES  
 : 10 TO 15 POUND INCHES  
 MOUNTING TORQUE : N/A  
 TEMPERATURE RANGE : -55 / +85 DEGREES C.

ELECTRICAL:  
 VSWR MAXIMUM : 1.025 x F<sup>.01</sup> (F IN GHz.)  
 INSERTION LOSS MAXIMUM : .03 x F<sup>.5</sup> (F IN GHz.)  
 R.F. LEAKAGE MINIMUM : -100 dB  
 D.C. RESISTANCE : 5,000 MEGOHMS MIN.



ITEM	MATERIALS	FINISHES
BODIES	: 303 STAINLESS PER ASTM-A-582	: PASSIVATE PER QQ-P-35
NUT	: 303 STAINLESS PER ASTM-A-582	: PASSIVATE PER QQ-P-35
THREAD RING	: 303 STAINLESS PER ASTM-A-582	: PASSIVATE PER QQ-P-35
INSULATOR	: PLASTIC COMPOSIT	: N/A
INSULATOR	: PTFE PER ASTM-D-1710	: N/A
CONTACTS	: COPPER, BERYLLIUM PER ASTM-B196	: GOLD PER ASTM-B-488

REV.	DCN NUMBER	DATE	APP.
AA	04-1715	6/2/04	DC

## SPECIFICATION CONTROL DRAWING

**dynawave**<sup>®</sup>  
 INCORPORATED  
 Haverhill, MA. 01835

TITLE  
**SMA JACK TO  
 7mm ADAPTER**

TOLERANCES		
DECIMALS	FRACTIONAL	DEGREES
.X ±.030		X <sup>°</sup> 10'
.XX ±.010	± 1/16"	X <sup>°</sup> X' ±15'
.XXX ±.005		

DRAWN: DC		DATE: 6/2/04
APPROVED: DC		DATE: 6/2/04
SCALE	CODE IDENT	SHEET
N/A	2J899	1 of 1

DRAWING  
 NO. **1100-4499-6200**