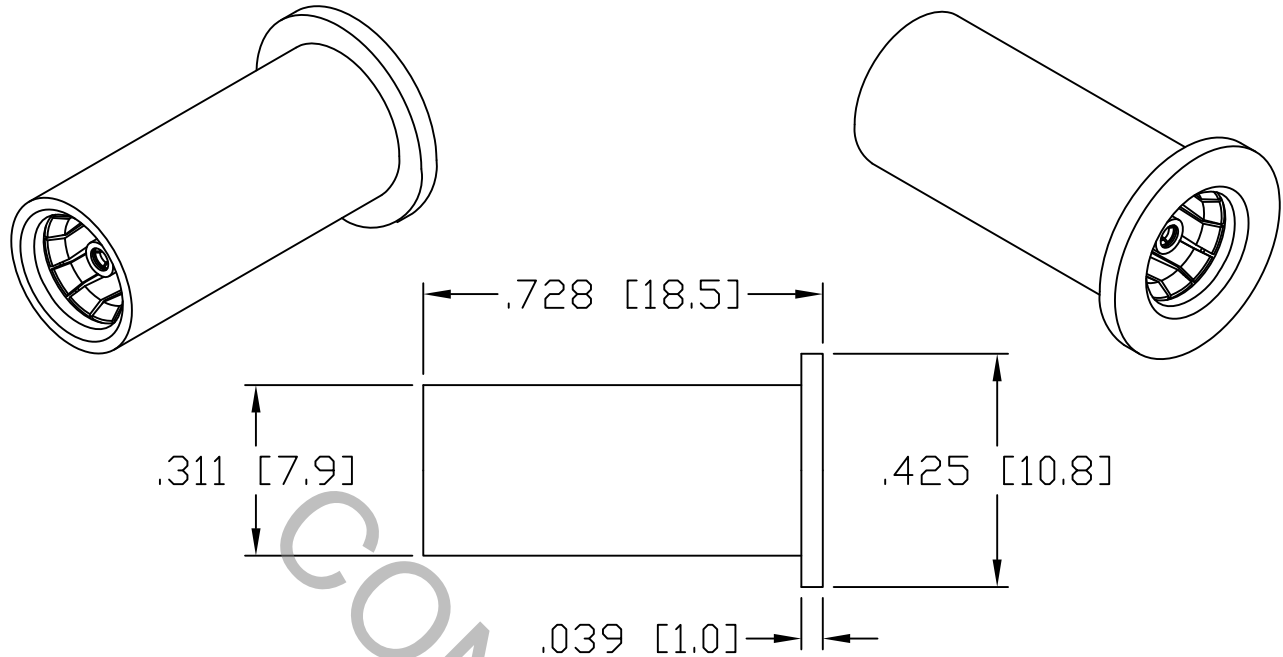


# SPECIFICATION CONTROL DRAWING



1. MATING INTERFACE DIMENSIONS Per MIL-STD-348 Fig. 321.2 (BMA JACK).


2. ELECTRICAL

FREQUENCY RANGE GHz	_____	DC TO 22.0 GHz
VSWR (MAX.) *	_____	1.08 + .008 x FGHz
INSERTION LOSS (dB MAX.) *	_____	.07 dB x $\sqrt{\text{FGHz}}$
NOMINAL IMPEDANCE (OHMS)	_____	50
VOLTAGE RATING (MAX. VRMS)	_____	333
RF LEAKAGE (MIN. dB DOWN)	_____	-90 dB - FGHz (FULLY MATED)
TEMPERATURE RATING (DEGREES CENTIGRADE)	_____	-65°C TO + 165°C
DIELECTRIC WITHSTANDING VOLTAGE (MAX. VRMS)	_____	1,000
INSULATION RESISTANCE (MIN. MEGOHMS)	_____	5,000
CONTACT RESISTANCE		
• CENTER CONTACT (MAX. MILLIOHMS)	_____	6.0
• OUTER CONTACT (MAX. MILLIOHMS)	_____	2.0

\* TERMINATED IN A 50 OHM LOAD

**RoHS**  
COMPLIANT

This Document contains proprietary and confidential information.

REV.	DCN NO.	DATE	APP.	DIMENSIONS ARE IN INCHES TOLERANCES	 Haverhill, MA 01835
AA	08-1761	8/19/08	DC	DECIMALS: .X ± .030 .XX ± .010 .XXX ± .005 FRACTIONAL: ± 1/64 ANGULAR: X ° ± 1° 0' X ° X' ± 15'	TITLE <b>BMA JACK TO                      BMA JACK ADAPTER</b>
AB	11-1608	7/18/11	TS		
AC	13-2635	12/3/13	TS		
				DRAWN DC      DATE 8/19/08	
				APPROVED DC      DATE 8/19/08	
				CODE IDENT. 2J899	
				SHEET 1 OF 2	DWG. NO. 1100-6767-6200

# SPECIFICATION CONTROL DRAWING

## 3. MECHANICAL

### CAPTIVATION-CENTER CONTACT

MAX AXIAL FORCE \_\_\_\_\_ 4.5 LBS.

MAX RADIAL TORQUE \_\_\_\_\_ N/A

### CENTER CONTACT AXIAL FORCES

● INSERTION (MAX OUNCES) \_\_\_\_\_ INTERFACE 32.0

● WITHDRAWAL (MIN. OUNCES) \_\_\_\_\_ INTERFACE 2.0

CONNECTOR ENGAGEMENT/DISENGAGEMENT (MAX. LBS.) \_\_\_\_\_ 2.0

CONNECTOR DURABILITY (MIN. CYCLES) \_\_\_\_\_ 500

RECOMMENDED MATING TORQUE \_\_\_\_\_ N/A

### ● CONNECTOR MIS-ALIGEMENT

AXIAL MIS-ALIGMENT \_\_\_\_\_ .015 (0.38mm) EITHER END

RADIAL MIS-ALIGMENT \_\_\_\_\_ .007 (0.20mm) EITHER END

## 4. ENVIRONMENTAL

THERMAL SHOCK \_\_\_\_\_ MIL-STD-202, METHOD 107, COND. B ( -65° c TO + 165° c )

SHOCK \_\_\_\_\_ MIL-STD-202, METHOD 213, COND. I (100 G's)

VIBRATION \_\_\_\_\_ MIL-STD-202, METHOD 204, COND. D (20 G's)

MOISTURE RESISTANCE \_\_\_\_\_ MIL-STD-202, METHOD 106, LESS STEP 7b

CORROSION \_\_\_\_\_ MIL-STD-202, METHOD 101, COND. B (48 HOURS)

BAROMETRIC PRESSURE (ALTITUDE) \_\_\_\_\_ MIL-STD-202, METHOD 105, COND. C ( 70,000 FT. ) ( 250 VRMS )

## 5. MATERIAL

BODY \_\_\_\_\_ STAINLESS STEEL PER ASTM-A-582, TYPE 303, COND. A

CONTACTS & SPRING FINGERS \_\_\_\_\_ BERYLLIUM COPPER PER ASTM-B-196/B, 196M-03, COPPER ALLOY No. UNS-C17300, TEMPER TD04.

INSULATOR \_\_\_\_\_ TEFLON PER ASTM-D-1710-02, TYPE 1, GRADE 1, CLASS B.

HOODS \_\_\_\_\_ BRASS PER ASTM-B-16, TEMPER H02, ALLOY C36000.

## 6. FINISH

BODY \_\_\_\_\_ PASSIVATE PER AMS 2700, TYPE 2, CLASS 4.

CONTACTS \_\_\_\_\_ GOLD PER ASTM-B-488, TYPE I, CODE C, CLASS 1.27  
(.000050 MIN. THK.) OVER NICKEL PER SAE AMS QQ-N-290, CLASS 1  
(.000050 MIN. THK.) OVER COPPER PER AMS 2418 (.000010 MIN. THK.)

HOOD \_\_\_\_\_ GOLD PER ASTM-B-488, TYPE 1, CODE C, CLASS 1.27  
(.000050 MIN. THK.) OVER NICKEL PER SAE AMS QQ-N-290, CLASS 1  
(.000050 MIN. THK.) OVER COPPER PER AMS 2418 (.000040 MIN. THK.)  
OVER COPPER PER AMS-2418 (.000010 MIN. THK.)

SPRING FINGERS \_\_\_\_\_ GOLD PER ASTM-B-488, TYPE 1, CODE C, CLASS 0.75  
(.000030 - .000055 THK.) OVER NICKEL PER SAE-AMS-QQ-N-290,  
CLASS 1 (.000050 - .000075 THK.) OVER COPPER PER AMS-2418  
(.000010 MIN. THK.)

INSULATOR \_\_\_\_\_ N/A