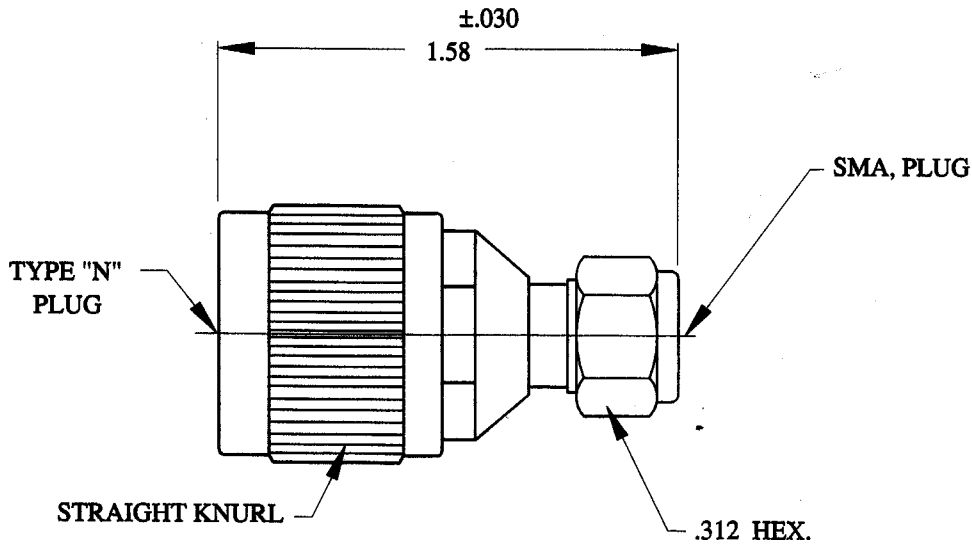


SPECIFICATION CONTROL DRAWING



1. MATING INTERFACE DIMENSIONS TYPE "N", PLUG PER DYNAWAVE SPECIFICATION MD-74 AND SMA, PLUG PER DYNAWAVE SPECIFICATION MD-98.

2. ELECTRICAL

FREQUENCY RANGE GHz	DC TO 18.0 GHz.
VSWR (MAX.) *	1.07 + .010 FGHz.
INSERTION LOSS (dB MAX.) *	.050 dB x $\sqrt{\text{FGHz}}$.
NOMINAL IMPEDANCE (OHMS)	50
VOLTAGE RATING (MAX. VRMS)	335
RF LEAKAGE (MIN. dB DOWN)	100 dB - FGHz.
TEMPERATURE RATING (DEGREES CENTIGRADE)	-65° c TO +135° c
DIELECTRIC WITHSTANDING VOLTAGE (MAX. VRMS)	1,000
INSULATION RESISTANCE (MIN. MEGOHMS)	10,000
CONTACT RESISTANCE	
• CENTER CONTACT (MAX. MILLIOHMS)	6.0
• OUTER CONTACT (MAX. MILLIOHMS)	2.0

* TERMINATED IN A 50 OHM LOAD

REV.	DCN NO.	DATE	APP.	DIMENSIONS ARE IN INCHES TOLERANCES			 GEORGETOWN MA. 01833
AA	97-0391	6/11/97	B	DECIMALS .X ± .030 .XX ± .010 .XXX ± .005	FRACTIONAL ±1/64	ANGULAR X° ± 1'0" X° X' ± 15"	
				SURFACE ROUGHNESS 63 √ MIL-STD 10.			
				DRAWN	DATE	6/11/97	TITLE TYPE "N", PLUG TO SMA, PLUG ADAPTER
				APPROVED	DATE	6/21/97	
				CODE IDENT.	SHEET 1 OF 2		DWG. NO. 1100-7498-6200
				2J899			

SPECIFICATION CONTROL DRAWING

3. MECHANICAL

CAPTIVATION-CENTER CONTACT

● MIN. AXIAL FORCE	_____	6.0 LBS.
● MIN. RADIAL TORQUE	_____	N/A
CENTER CONTACT AXIAL FORCES (REAR)		
● INSERTION (MAX. OUNCES)	_____	N/A
● WITHDRAWAL (MIN. OUNCES)	_____	N/A
CONNECTOR ENGAGEMENT/DISENGAGEMENT (MAX. IN. LBS.)	_____	N/A
CONNECTOR DURABILITY (MIN. MATING)	_____	1000
RECOMMENDED MATING TORQUE	_____	35/40 IN./ LBS (TYPE "N" PLUG) 7/10 IN./LBS (SMA, PLUG)

4. ENVIRONMENTAL

TEMPERATURE CYCLING	_____	MIL-STD-202, METHOD 102, COND. C (-65 ° c TO + 150 ° c)
SHOCK	_____	MIL-STD-202, METHOD 213, COND. I (100 G's)
VIBRATION	_____	MIL-STD-202, METHOD 204, COND. D (20 G's)
MOISTURE RESISTANCE	_____	MIL-STD-202, METHOD 106, LESS STEP 7b
CORROSION	_____	MIL-STD-202, METHOD 101, COND. B (48 HOURS)
BAROMETRIC PRESSURE (ALTITUDE)	_____	MIL-STD-202, METHOD 105, COND. C (70,000 FT.) (250 VRMS)

5. MATERIAL

CONNECTOR BODY & COUPLING NUTS	_____	STAINLESS STEEL PER ASTM A 582, TYPE 303, COND. A.
CENTER CONTACT & RETAINING RINGS	_____	BERYLLIUM COPPER PER ASTM-B-196, COPPER ALLOY UNS-C-17300, TEMPER TD04
INSULATOR	_____	TEFLON PER ASTM D 4894-91
GASKET	_____	SILICONE RUBBER PER ZZ-R-765, CLASS IIB, GRADE 50 OR 60

6. FINISH

CONNECTOR BODY AND COUPLING NUTS	_____	PASSIVATE PER QQ-P-35A, TYPE I.
CENTER CONTACT	_____	GOLD PER MIL-G-45204, TYPE II, GRADE C, CLASS 2 (.000010 MIN.) OVER NICKEL PER QQ-N-290, CLASS 1 (.00010 MIN.) OVER COPPER PER MIL-C-14550 (.000010 MIN.)
INSULATOR, GASKET AND RETAINING RINGS	_____	N/A

dynawave
INCORPORATED

SHEET 2 OF 2

DWG.
NO.

1100-7498-6200

REV.

AA