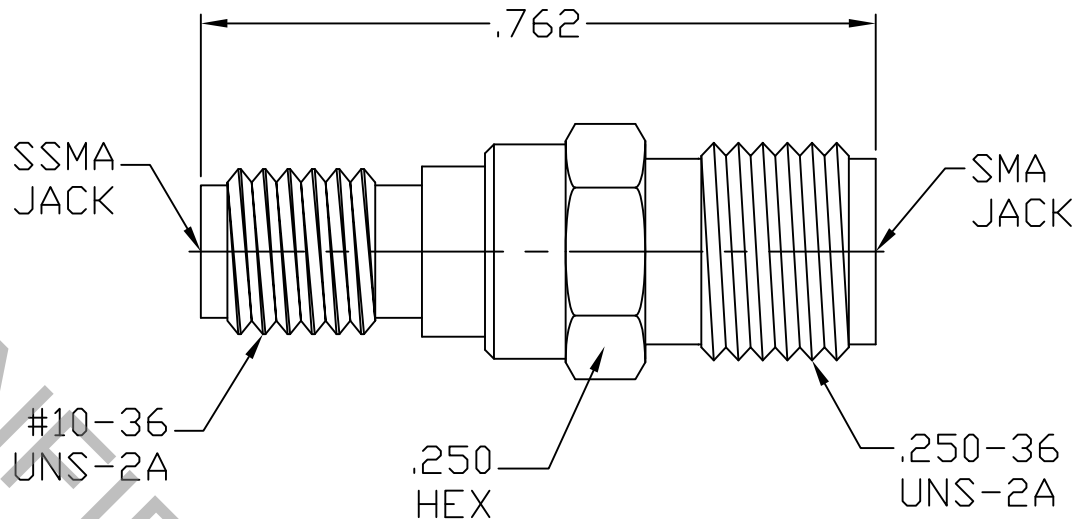


ADAPTER SERIES: : SSMA / SMA
 CENTER CONDUCTOR END 1: : FEMALE SOCKET
 CENTER CONDUCTOR END 2: : FEMALE SOCKET
 NOMINAL IMPEDANCE: (OHMS) : 50
 CONTACT CAPTIVATION: : 6.0 LBS.
 FREQUENCY RANGE: : DC TO 26.5 GHz.
 QPL SPECIFICATION: : N/A
 QPL EQUIVALENT: : N/A

MATING CHARACTERISTICS : MIL-STD-348-319.2
 : MIL-STD-348-310.2
 MATING TORQUE : 5 TO 8 POUND INCHES
 : 7 TO 10 POUND INCHES
 MOUNTING TORQUE : N/A
 TEMPERATURE RANGE : -55 / +125 DEGREES C.

ELECTRICAL:
 VSWR MAXIMUM : 1.06 x F^{.05} (F IN GHz.)
 INSERTION LOSS MAXIMUM : .05 x F^{.5} (F IN GHz.)
 R.F. LEAKAGE MINIMUM : -100 dB
 D.C. RESISTANCE : 5,000 MEGOHMS MIN.



ITEM	MATERIALS	FINISHES
BODY	: 303 STAINLESS PER ASTM-A-582	: PASSIVATE PER QQ-P-35
INSULATOR	: PTFE PER ASTM-D-1710	: N/A
CONTACT	: COPPER, BERYLLIUM PER ASTM-B196	: GOLD PER ASTM-B-488

REV.	DCN NUMBER	DATE	APP.
AA	05-1741	7/21/05	DC

SPECIFICATION CONTROL DRAWING

dynawave[®]
 INCORPORATED
 Haverhill, MA. 01835

TITLE
**SSMA FEMALE
 TO SMA FEMALE
 ADAPTER**

TOLERANCES		
DECIMALS	FRACTIONAL	DEGREES
.X ±.030		X [±] 1°0'
.XX ±.010	± 1/16"	X [°] X' ±15'
.XXX ±.005		

DRAWN: DC DATE: 7/21/05

APPROVED: DC DATE: 7/21/05

SCALE	CODE IDENT	SHEET
N/A	2J899	1 of 1

DRAWING
 NO. **1100-9399-6250**