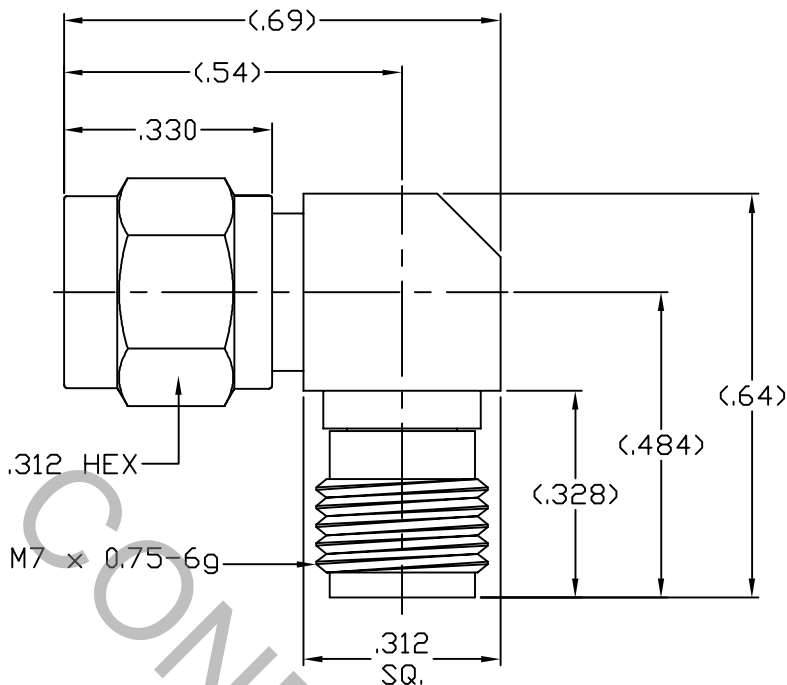


SPECIFICATION CONTROL DRAWING




1. MATING INTERFACE DIMENSIONS Per DYNAWAVE SPECIFICATION MD-12 (2.4mm PLUG) AND MD-13 (2.4mm JACK)

2. ELECTRICAL

FREQUENCY RANGE GHz	_____	DC TO 50.0 GHz
VSWR (MAX) *	_____	1.10 + .010 x FGHz
INSERTION LOSS (dB MAX) *	_____	.065 dB x $\sqrt{\text{FGHz}}$
NOMINAL IMPEDANCE (OHMS)	_____	50
VOLTAGE RATING (MAX VRMS)	_____	170
RF LEAKAGE (MIN. dB DOWN)	_____	-100 dB - FGHz
TEMPERATURE RATING (DEGREES CENTIGRADE)	_____	-65°c TO + 125°c
DIELECTRIC WITHSTANDING VOLTAGE (MAX. VRMS)	_____	500
INSULATION RESISTANCE (MIN. MEGOHMS)	_____	5,000
CONTACT RESISTANCE		
• CENTER CONTACT (MAX. MILLIOHMS)	_____	3.0
• OUTER CONTACT (MAX. MILLIOHMS)	_____	2.0

* TERMINATED IN A 50 OHM LOAD

REV.	DCN NO.	DATE	APP.	DIMENSIONS ARE IN INCHES TOLERANCES			 HAVERHILL, MA 01835
AA	07-1594	6/12/07	DC	DECIMALS .X ± .030 .XX ± .010 .XXX ± .005	FRACTIONAL ± 1/64	ANGULAR X ° ± 1'0" X ° X' ± 15'	
				DRAWN DC	DATE 6/12/07	TITLE 2.4mm PLUG TO 2.4mm JACK, RIGHT ANGLE ADAPTER	
				APPROVED DC	DATE 6/12/07		
				CODE IDENT. 2J899	SHEET 1 OF 2	DWG. NO. 1101-1213-6200	

SPECIFICATION CONTROL DRAWING

3. MECHANICAL

CAPTIVATION-CENTER CONTACT

MAX AXIAL FORCE _____ 6.0 LBS.

MAX RADIAL TORQUE _____ N/A

CENTER CONTACT AXIAL FORCES

● INSERTION (MAX OUNCES) _____ INTERFACE 32.0

● WITHDRAWAL (MIN. OUNCES) _____ INTERFACE 2.0

CONNECTOR ENGAGEMENT/DISENGAGEMENT (MAX IN. LBS.) — 2.0

CONNECTOR DURABILITY (MIN. CYCLES) _____ 500

RECOMMENDED MATING TORQUE _____ 7 - 10 IN. LBS.

4. ENVIRONMENTAL

TEMPERATURE CYCLING _____ MIL-STD-202, METHOD 102, COND. C (-65° c TO + 125° c)

SHOCK _____ MIL-STD-202, METHOD 213, COND. I (100 G's)

VIBRATION _____ MIL-STD-202, METHOD 204, COND. D (20 G's)

MOISTURE RESISTANCE _____ MIL-STD-202, METHOD 106, LESS STEP 7b

CORROSION _____ MIL-STD-202, METHOD 101, COND. B (48 HOURS)

BAROMETRIC PRESSURE (ALTITUDE) — MIL-STD-202, METHOD 105, COND. C (70,000 FT.) (125 VRMS)

5. MATERIAL

BODIES, CUBE & COUPLING NUT _____ STAINLESS STEEL PER AMS 5640, TYPE 303, COND. A

CONTACT & RETAINING RING _____ BERYLLIUM COPPER PER ASTM B196-90, COPPER ALLOY
No. UNS-C17300, TEMPER TD04.

INSULATOR _____ PLASTIC COMPOSIT

GASKET _____ SILICONE RUBBER PER ZZ-R-765

6. FINISH

BODIES, CUBE & COUPLING NUT _____ PASSIVATE PER AMS QQ-P-35, TYPE 2

CONTACT _____ GOLD PER ASTM-B-488, TYPE I, CODE C, CLASS .75
(.000030 MIN. THK.) OVER NICKEL per QQ-N-290
(.000050 MIN. THK.) OVER COPPER per MIL-C-14550
(.000010 MIN. THK.)

INSULATOR, GASKET & RETAINING RING _____ N/A