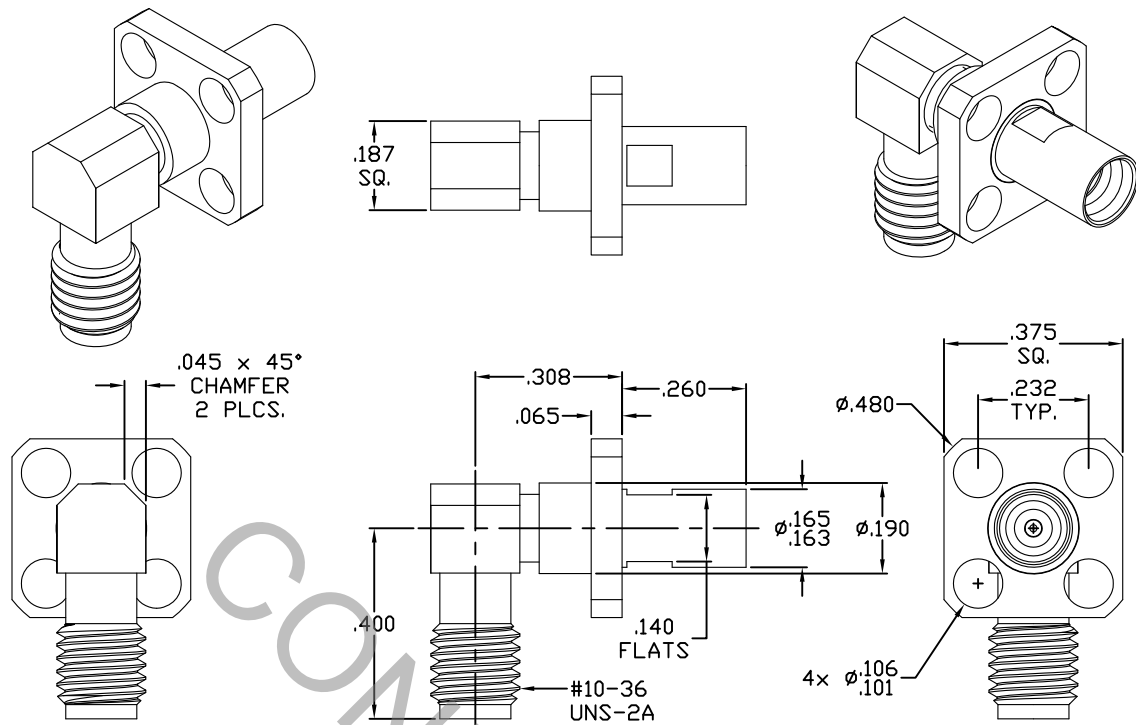


# SPECIFICATION CONTROL DRAWING



1. MATING INTERFACE DIMENSIONS Per MIL-STD-348, Fig. 326.2 (SMP, PLUG, FULL DETENT) AND MIL-STD 348, Fig. 319.2 (SSMA JACK).

## 2. ELECTRICAL

|   |       |                               |
|---|-------|-------------------------------|
| FREQUENCY RANGE GHz                         | _____ | DC TO 26.5 GHz                |
| VSWR (MAX.) *                               | _____ | 1.08 + .010 x FGHz            |
| INSERTION LOSS (dB MAX.) *                  | _____ | .10 dB x $\sqrt{\text{FGHz}}$ |
| NOMINAL IMPEDANCE (OHMS)                    | _____ | 50                            |
| VOLTAGE RATING (MAX. VRMS)                  | _____ | 250                           |
| RF LEAKAGE (MIN. dB DOWN)                   | _____ | -100 dB - FGHz (SSMA ONLY)    |
| TEMPERATURE RATING (DEGREES CENTIGRADE)     | _____ | -65°c TO + 165°c              |
| DIELECTRIC WITHSTANDING VOLTAGE (MAX. VRMS) | _____ | 750                           |
| INSULATION RESISTANCE (MIN. MEGOHMS)        | _____ | 5,000                         |
| CONTACT RESISTANCE                          |       |                               |
| • CENTER CONTACT (MAX. MILLIOHMS)           | _____ | 6.0                           |
| • OUTER CONTACT (MAX. MILLIOHMS)            | _____ | 2.0                           |

\* TERMINATED IN A 50 OHM LOAD

**RoHS**  
COMPLIANT

| REV. | DCN NO. | DATE    | APP. | DIMENSIONS ARE IN INCHES<br>TOLERANCES |              |  | <br>HAVERHILL, MA 01835 |
|------|---------|---------|------|--|--------------|--|-------------------------|
|      |         |         |      | DECIMALS                               | FRACTIONAL   | ANGULAR  |                         |
| AA   | 10-1327 | 3/25/10 | TS   | .X ± .030                              |              | X ° ± 1° 0'  |                         |
| AB   | 10-1475 | 5/17/10 | DC   | .XX ± .010                             | ± 1/64       | X ° X' ± 15'   |                         |
|      |         |         |      | DRAWN TS                               | DATE 3/25/10 | TITLE SMP MALE<br>(FULL DETENT) TO<br>SSMA JACK RIGHT<br>ANGLE ADAPTER |                         |
|      |         |         |      | APPROVED DC                            | DATE 3/25/10 |  |                         |
|      |         |         |      | CODE IDENT.<br>2J899                   | SHEET 1 OF 2 |  |                         |
|      |         |         |      |  |              | DWG. NO. 1101-2193-6201  |                         |

# SPECIFICATION CONTROL DRAWING

## 3. MECHANICAL

### CAPTIVATION-CENTER CONTACT

MAX AXIAL FORCE \_\_\_\_\_ 4.5 LBS.

MAX RADIAL TORQUE \_\_\_\_\_ N/A

### CENTER CONTACT AXIAL FORCES

● INSERTION (MAX OUNCES) \_\_\_\_\_ N/A

● WITHDRAWAL (MIN. OUNCES) \_\_\_\_\_ N/A

CONNECTOR ENGAGEMENT/DISENGAGEMENT (MAX LBS.) \_\_\_\_\_ SSMA, 2.0

CONNECTOR DURABILITY (MIN. CYCLES) \_\_\_\_\_ 100 (SMP, FULL DETENT)

RECOMMENDED MATING TORQUE \_\_\_\_\_ SSMA, 5 - 7 IN. LBS.

## 4. ENVIRONMENTAL

THERMAL SHOCK \_\_\_\_\_ MIL-STD-202, METHOD 107, COND. B ( -65° c TO +165° c )

SHOCK \_\_\_\_\_ MIL-STD-202, METHOD 213, COND. I (100 G's)

VIBRATION \_\_\_\_\_ MIL-STD-202, METHOD 204, COND. D (20 G's)

MOISTURE RESISTANCE \_\_\_\_\_ MIL-STD-202, METHOD 106, LESS STEP 7b

CORROSION \_\_\_\_\_ MIL-STD-202, METHOD 101, COND. B (48 HOURS)

BAROMETRIC PRESSURE (ALTITUDE) \_\_\_\_\_ MIL-STD-202, METHOD 105, COND. C ( 70,000 FT. ) ( 190 VRMS )

## 5. MATERIAL

BODY \_\_\_\_\_ STAINLESS STEEL PER ASTM-A-582, TYPE 303, COND. A

CONTACTS \_\_\_\_\_ BERYLLIUM COPPER PER ASTM-B-196/B, 196M-03, COPPER ALLOY No. UNS-C17300, TEMPER TD04.

INSULATORS \_\_\_\_\_ TEFLON PER ASTM-D-1710-02, TYPE 1, GRADE 1, CLASS B.

## 6. FINISH

BODY \_\_\_\_\_ PASSIVATE PER AMS 2700, TYPE 2, CLASS 4.

CONTACTS \_\_\_\_\_ GOLD PER ASTM-B-488, TYPE I, CODE C, CLASS 2.5  
(.000100 MIN. THK.) OVER NICKEL per QQ-N-290  
(.000050 MIN. THK.) OVER COPPER per MIL-C-14550  
(.000010 MIN. THK.)

INSULATORS \_\_\_\_\_ N/A