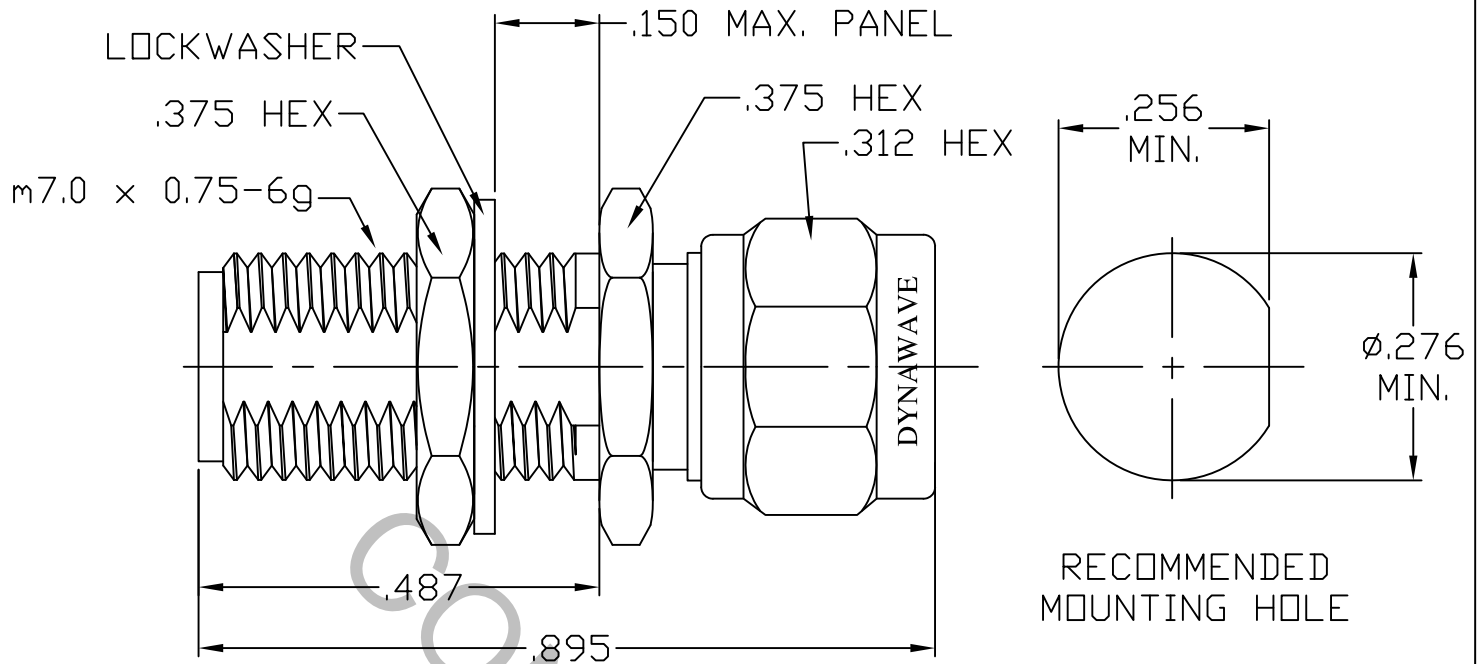


SPECIFICATION CONTROL DRAWING



1. MATING INTERFACE DIMENSIONS DYNAWAVE SPECIFICATION MD-12 (2.4mm PLUG) AND MD-13 (2.4mm JACK)

2. ELECTRICAL

FREQUENCY RANGE GHz _____ DC TO 50.0 GHz
 VSWR (MAX.) * _____ DC TO 18.0 GHz. — 1.08
 18.0 TO 26.5 GHz. — 1.20
 26.5 TO 40.0 GHz. — 1.35
 40.0 TO 50.0 GHz. — 1.50

INSERTION LOSS (dB MAX.) * _____ .075 dB x \sqrt{FGHz}
 NOMINAL IMPEDANCE (OHMS) _____ 50
 VOLTAGE RATING (MAX. VRMS) _____ 335
 RF LEAKAGE (MIN. dB DOWN) _____ 100 dB - FGHz
 TEMPERATURE RATING (DEGREES CENTIGRADE) _____ -65°C TO + 85°C
 DIELECTRIC WITHSTANDING VOLTAGE (MAX. VRMS) _____ 750
 INSULATION RESISTANCE (MIN. MEGOHMS) _____ 5,000
 CONTACT RESISTANCE
 • CENTER CONTACT (MAX. MILLIOHMS) _____ 6.0
 • OUTER CONTACT (MAX. MILLIOHMS) _____ 2.0

* TERMINATED IN A 50 OHM LOAD

RoHS
COMPLIANT

This Document contains proprietary and confidential information.

REV.	DCN NO.	DATE	APP.	DIMENSIONS ARE IN INCHES TOLERANCES			 HAVERHILL, MA 01835
				DECIMALS	FRACTIONAL	ANGULAR	
AA	06-1887	7/21/06	TS	.X ± .030 .XX ± .010 .XXX ± .005	±/64	X ° ± 1 0' X ° X' ± 15'	TITLE 2.4mm JACK, TO 2.4 mm, PLUG BULKHEAD ADAPTER
BA	15-1590	4/21/15	DC				
BB	15-2826	12/23/15	DC				
				DRAWN TS	DATE 7/21/06		
				APPROVED DC	DATE 7/21/06		
				CODE IDENT. 2J899	SHEET 1 OF 2	DWG. NO. 1110-1213-6200	

SPECIFICATION CONTROL DRAWING

3. MECHANICAL

CAPTIVATION-CENTER CONTACT

MAX AXIAL FORCE _____ 6.0 LBS.

MAX RADIAL TORQUE _____ N/A

CENTER CONTACT AXIAL FORCES

● INSERTION (MAX OUNCES) _____ INTERFACE 48.0

● WITHDRAWAL (MIN. OUNCES) _____ INTERFACE 2.0

CONNECTOR ENGAGEMENT/DISENGAGEMENT (MAX IN. LBS.) — 2.0

CONNECTOR DURABILITY (MIN. CYCLES) _____ 1,000

RECOMMENDED MATING TORQUE _____ 7 - 10 IN. LBS.

4. ENVIRONMENTAL

TEMPERATURE CYCLING _____ MIL-STD-202, METHOD 102, COND. C (-65° c TO + 85 ° c)

SHOCK _____ MIL-STD-202, METHOD 213, COND. I (100 G's)

VIBRATION _____ MIL-STD-202, METHOD 204, COND. D (20 G's)

MOISTURE RESISTANCE _____ MIL-STD-202, METHOD 106, LESS STEP 7b

CORROSION _____ MIL-STD-202, METHOD 101, COND. B (48 HOURS)

BAROMETRIC PRESSURE (ALTITUDE) — MIL-STD-202, METHOD 105, COND. C (70,000 FT.) (190 VRMS)

5. MATERIAL

BODIES, COUPLING NUT, LOCKNUT AND LOCKWASHER — STAINLESS STEEL PER ASTM-A-582, TYPE 303, COND. A

CONTACTS AND RETAINING RING — BERYLLIUM COPPER PER ASTM B196/B 196M-03, COPPER ALLOY
No. UNS-C17300, TEMPER TD04.

INSULATOR — PLASTIC COMPOSITE

GASKET — SILICONE RUBBER PER ZZ-R-765

6. FINISH

BODIES, COUPLING NUT, LOCKNUT AND LOCKWASHER — PASSIVATE PER AMS-2700, TYPE 2, CLASS 4

CONTACTS — GOLD PER ASTM B 488, TYPE I, CODE C, CLASS 0.75
(.000030 MIN. THK.) OVER NICKEL per SAE-AMS-QQ-N-290
CLASS 1 (.000050 MIN. THK.) OVER COPPER per AMS-2418
(.000010 MIN. THK.)

INSULATOR, RETAINING RING & GASKET — N/A