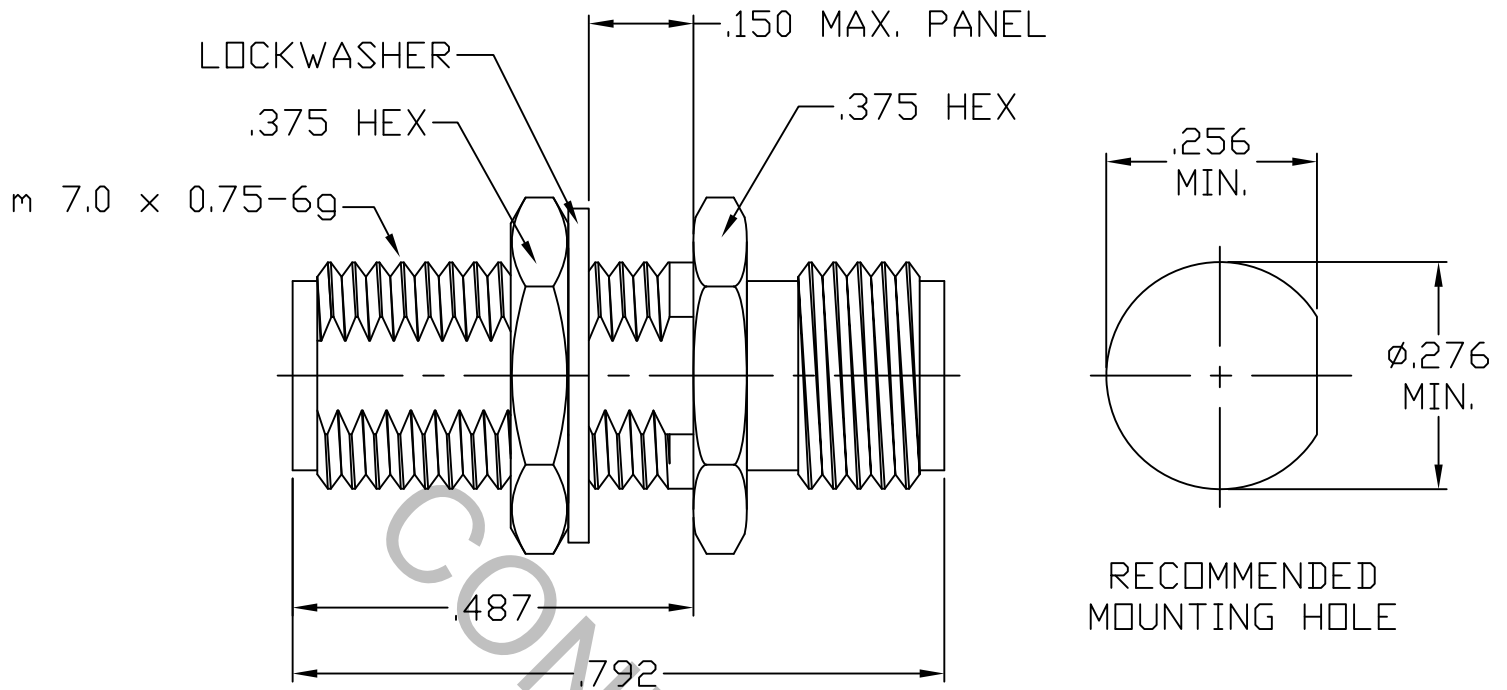


SPECIFICATION CONTROL DRAWING



1. MATING INTERFACE DIMENSIONS DYNAWAVE SPECIFICATION MD-13 (2.4mm JACK)

2. ELECTRICAL

FREQUENCY RANGE GHz	_____	DC TO 50.0 GHz
VSWR (MAX.) *	_____	1.50:1
INSERTION LOSS (dB MAX.) *	_____	.055 dB x \sqrt{FGHz}
NOMINAL IMPEDANCE (OHMS)	_____	50
VOLTAGE RATING (MAX. VRMS)	_____	335
RF LEAKAGE (MIN. dB DOWN)	_____	100 dB - FGHz
TEMPERATURE RATING (DEGREES CENTIGRADE)	_____	-65°c TO + 85°c
DIELECTRIC WITHSTANDING VOLTAGE (MAX. VRMS)	_____	750
INSULATION RESISTANCE (MIN. MEGOHMS)	_____	5,000
CONTACT RESISTANCE		
• CENTER CONTACT (MAX. MILLIOHMS)	_____	6.0
• OUTER CONTACT (MAX. MILLIOHMS)	_____	2.0

* TERMINATED IN A 50 OHM LOAD

RoHS
COMPLIANT

This Document contains proprietary and confidential information.

REV.	DCN NO.	DATE	APP.	DIMENSIONS ARE IN INCHES TOLERANCES			 Haverhill, MA 01835
AA	04-1715	6/3/04	DC	DECIMALS	FRACTIONAL	ANGULAR	
BA	15-1590	4/21/15	DC	.X ± .030 .XX ± .010 .XXX ± .005	±/64	X ° ± 1 0' X ° X' ± 15'	TITLE 2.4mm BULKHEAD JACK, TO 2.4mm JACK ADAPTER
BB	17-1097	1/20/17	DC	DRAWN DC	DATE	6/3/04	
				APPROVED DC	DATE	6/3/04	
				CODE IDENT. 2J899	SHEET 1 OF 2		DWG. NO. 1110-1313-6240

SPECIFICATION CONTROL DRAWING

3. MECHANICAL

CAPTIVATION-CENTER CONTACT

MAX AXIAL FORCE _____ 6.0 LBS.

MAX RADIAL TORQUE _____ N/A

CENTER CONTACT AXIAL FORCES

● INSERTION (MAX OUNCES) _____ INTERFACE 48.0

● WITHDRAWAL (MIN. OUNCES) _____ INTERFACE 2.0

CONNECTOR ENGAGEMENT/DISENGAGEMENT (MAX IN. LBS.) — 2.0

CONNECTOR DURABILITY (MIN. CYCLES) _____ 1,000

RECOMMENDED MATING TORQUE _____ 7 - 10 IN. LBS.

4. ENVIRONMENTAL

TEMPERATURE CYCLING _____ MIL-STD-202, METHOD 102, COND. C (-65° c TO + 85 ° c)

SHOCK _____ MIL-STD-202, METHOD 213, COND. I (100 G's)

VIBRATION _____ MIL-STD-202, METHOD 204, COND. D (20 G's)

MOISTURE RESISTANCE _____ MIL-STD-202, METHOD 106, LESS STEP 7b

CORROSION _____ MIL-STD-202, METHOD 101, COND. B (48 HOURS)

BAROMETRIC PRESSURE (ALTITUDE) _____ MIL-STD-202, METHOD 105, COND. C (70,000 FT.) (190 VRMS)

5. MATERIAL

BODIES & LOCKNUT _____ STAINLESS STEEL PER ASTM-A-582, TYPE 303, COND. A

LOCKWASHER _____ 400 SERIES STAINLESS STEEL

CONTACTS _____ BERYLLIUM COPPER PER ASTM B196/B 196M-03, COPPER ALLOY
No. UNS-C17300, TEMPER TD04.

INSULATOR _____ PLASTIC COMPOSITE

6. FINISH

BODIES, LOCKNUT & LOCKWASHER _____ PASSIVATE PER AMS-2700, TYPE 2, CLASS 4

CONTACTS _____ GOLD PER ASTM B 488, TYPE I, CODE C, CLASS 0.75
(.000030 MIN. THK.) OVER NICKEL per SAE-AMS-QQ-N-290
CLASS 1 (.000050 MIN. THK.) OVER COPPER per AMS-2418
(.000010 MIN. THK.)

INSULATOR _____ N/A