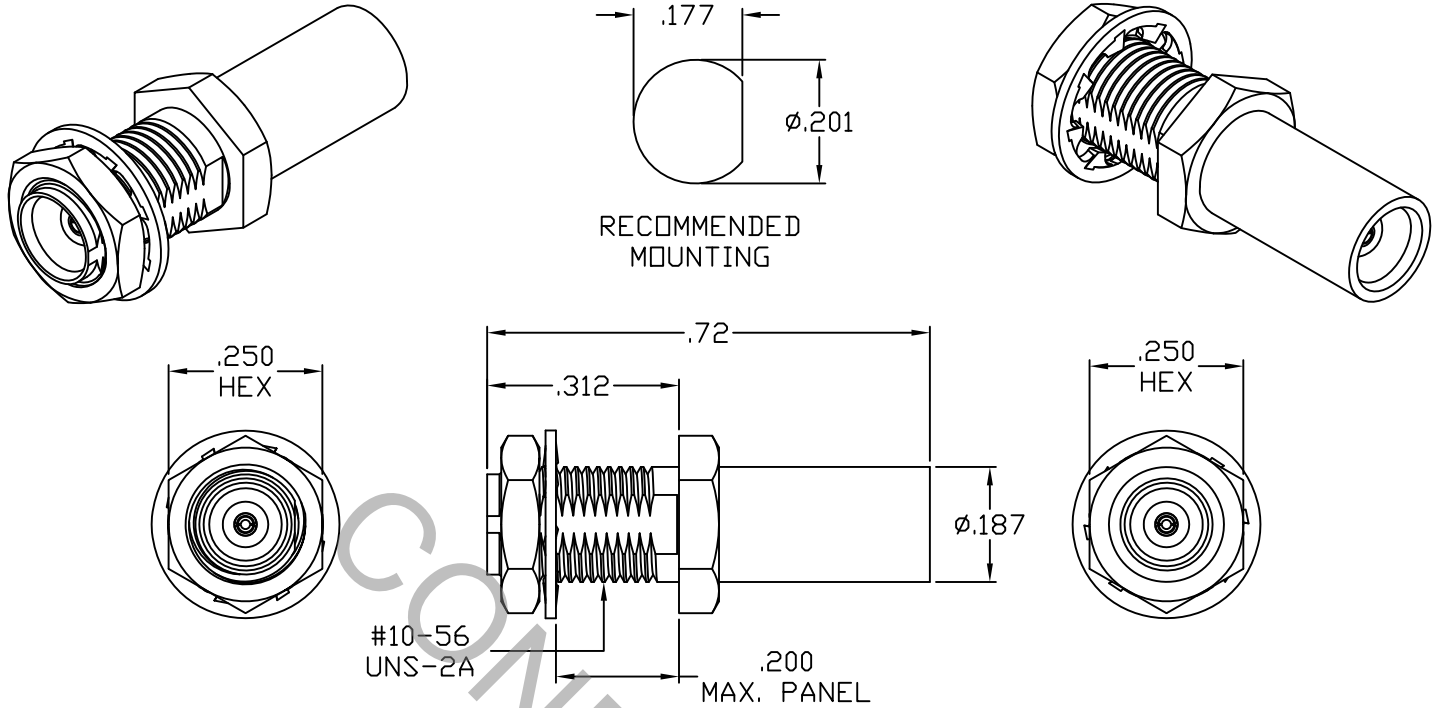


# SPECIFICATION CONTROL DRAWING




1. MATING INTERFACE DIMENSIONS Per CECC 22220 (MCX JACK).

## 2. ELECTRICAL

FREQUENCY RANGE GHz	_____	DC TO 6.0 GHz
VSWR (MAX) *	_____	1.50:1 MAX.
INSERTION LOSS (dB MAX) *	_____	.10 dB x $\sqrt{\text{FGHz}}$
NOMINAL IMPEDANCE (OHMS)	_____	50
VOLTAGE RATING (MAX. VRMS)	_____	170
RF LEAKAGE (MIN. dB DOWN)	_____	-60 dB - FGHz
TEMPERATURE RATING (DEGREES CENTIGRADE)	_____	-65°C TO + 165°C
DIELECTRIC WITHSTANDING VOLTAGE (MAX. VRMS)	_____	500
INSULATION RESISTANCE (MIN. MEGOHMS)	_____	5,000
CONTACT RESISTANCE		
• CENTER CONTACT (MAX. MILLIOHMS)	_____	6.0
• OUTER CONTACT (MAX. MILLIOHMS)	_____	2.0

\* TERMINATED IN A 50 OHM LOAD

**RoHS**  
COMPLIANT

REV.	DCN NO.	DATE	APP.	DIMENSIONS ARE IN INCHES TOLERANCES			 HAVERHILL, MA 01835
AA	12-1255	3/29/12	DC	DECIMALS	FRACTIONAL	ANGULAR	
				.X ± .030	± 1/64	X ° ± 1° 0'	
				.XX ± .010		X ° X' ± 15'	
				.XXX ± .005			
				DRAWN DC	DATE	3/29/12	TITLE MCX JACK TO MCX JACK BULKHEAD ADAPTER
				APPROVED DC	DATE	3/29/12	
				CODE IDENT.	SHEET 1 OF 2		DWG. NO. 1110-1616-2400
				2J899			

# SPECIFICATION CONTROL DRAWING

## 3. MECHANICAL

### CAPTIVATION-CENTER CONTACT

MAX AXIAL FORCE \_\_\_\_\_ 4.0 LBS.

MAX RADIAL TORQUE \_\_\_\_\_ N/A

### CENTER CONTACT AXIAL FORCES

● INSERTION (MAX. OUNCES) \_\_\_\_\_ INTERFACE 48.0

● WITHDRAWAL (MIN. OUNCES) \_\_\_\_\_ INTERFACE 1.0

### CONNECTOR ENGAGEMENT FORCES

● INSERTION (MAX. LBS) \_\_\_\_\_ 5.6

● WITHDRAWAL (MIN. LBS) \_\_\_\_\_ 4.5

CONNECTOR DURABILITY (MIN. CYCLES) \_\_\_\_\_ 500

## 4. ENVIRONMENTAL

TEMPERATURE CYCLING \_\_\_\_\_ MIL-STD-202, METHOD 102, COND. C ( -65° c TO +165° c )

SHOCK \_\_\_\_\_ MIL-STD-202, METHOD 213, COND. I (100 G's)

VIBRATION \_\_\_\_\_ MIL-STD-202, METHOD 204, COND. D (20 G's)

MOISTURE RESISTANCE \_\_\_\_\_ MIL-STD-202, METHOD 106, LESS STEP 7b

CORROSION \_\_\_\_\_ MIL-STD-202, METHOD 101, COND. B (48 HOURS)

BAROMETRIC PRESSURE (ALTITUDE) \_\_\_\_\_ MIL-STD-202, METHOD 105, COND. C ( 70,000 FT. ) ( 125 VRMS )

## 5. MATERIAL

BODY \_\_\_\_\_ BRASS PER ASTM-B-16, TEMPER H02, ALLOY C36000.

CONTACT \_\_\_\_\_ BERYLLIUM COPPER PER ASTM-B-196-90, COPPER ALLOY  
No. UNS-C17300, TEMPER TD04.

INSULATOR \_\_\_\_\_ TEFLON PER ASTM-D-1710-02, TYPE 2, GRADE 1, CLASS A.

## 6. FINISH

BODY \_\_\_\_\_ GOLD FLASH PER ASTM-B-488  
OVER NICKEL per QQ-N-290  
OVER COPPER per MIL-C-14550

CONTACT \_\_\_\_\_ GOLD FLASH PER ASTM-B-488  
OVER NICKEL per QQ-N-290  
OVER COPPER per MIL-C-14550

INSULATOR \_\_\_\_\_ N/A