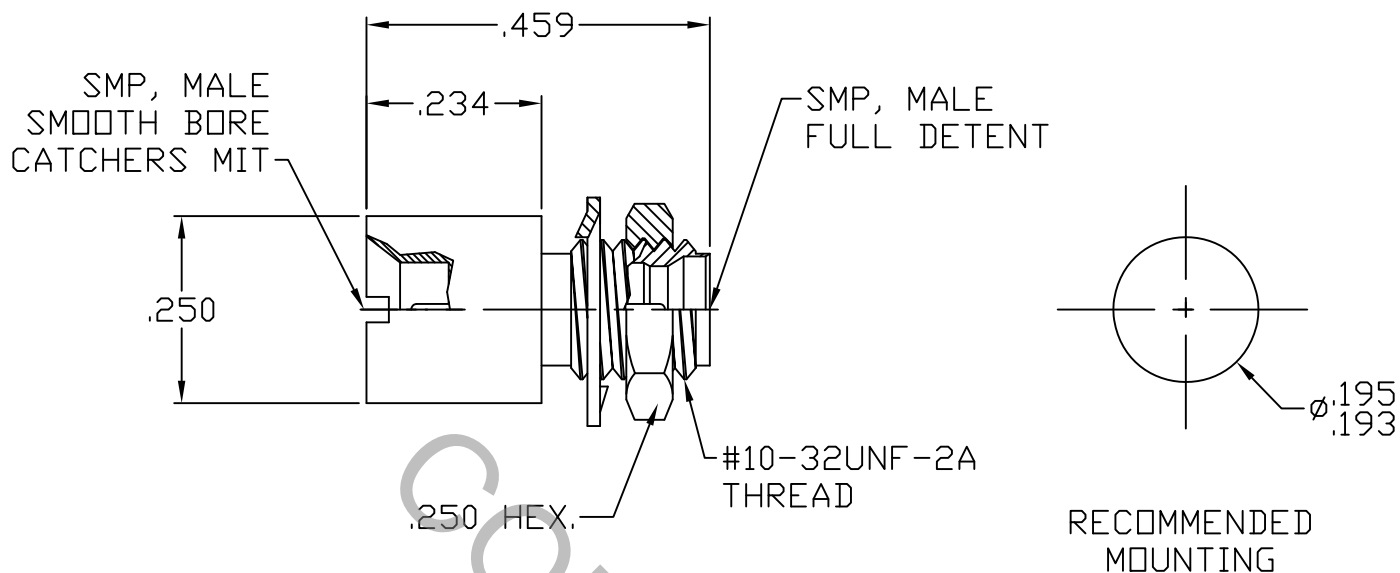


SPECIFICATION CONTROL DRAWING



1. MATING INTERFACE DIMENSIONS FOR SMP MALE, SMOOTH BORE, CATCHERS MIT
Per MIL-STD-348A Fig 326.5 AND SMP, MALE, LIMITED DETENT Fig 326.3.

2. ELECTRICAL

FREQUENCY RANGE GHz	_____	DC TO 40.0 GHz.
VSWR (MAX) *	_____	1.05 + .005 x FGHz
INSERTION LOSS (dB MAX) *	_____	.04 dB x √FGHz
NOMINAL IMPEDANCE (OHMS)	_____	50
VOLTAGE RATING (MAX. VRMS)	_____	170
RF LEAKAGE (MIN. dB DOWN)	_____	-100 dB - FGHz
TEMPERATURE RATING (DEGREES CENTIGRADE)	_____	-65°C TO + 165°C
DIELECTRIC WITHSTANDING VOLTAGE (MAX. VRMS)	_____	500
INSULATION RESISTANCE (MIN. MEGOHMS)	_____	5,000
CONTACT RESISTANCE		
• CENTER CONTACT (MAX. MILLIOHMS)	_____	6.0
• OUTER CONTACT (MAX. MILLIOHMS)	_____	2.0

* TERMINATED IN A 50 OHM LOAD

RoHS
COMPLIANT

This Document contains proprietary and confidential information.

REV.	DCN NO.	DATE	APP.	DIMENSIONS ARE IN INCHES TOLERANCES			 Haverhill, MA 01835
AA	17-2424	12/18/17	TS	DECIMALS .X ± .030 .XX ± .010 .XXX ± .005	FRACTIONAL ± 1/64	ANGULAR X ° ± 1° 0' X ° X' ± 15'	
				DRAWN TS	DATE 12/18/171	TITLE SMP MALE, SMOOTH BORE, CATCHERS MIT TO SMP, MALE FULL DETENT BULKHEAD PANEL ADAPTER	
				APPROVED DC	DATE 12/18/17		
				CODE IDENT. 2J899	SHEET 1 OF 2	DWG. NO.	1110-2121-6200

SPECIFICATION CONTROL DRAWING

3. MECHANICAL

CAPTIVATION-CENTER CONTACT

MAX AXIAL FORCE _____ 3.5 LBS.

MAX RADIAL TORQUE _____ N/A

CONNECTOR ENGAGEMENT FORCE

● INSERTION (MAX. LBS.) _____ 2.0 (SMOOTH BORE), 10.0 (LIMITED DETENT)

● WITHDRAWAL (MIN. LBS.) _____ 0.5 (SMOOTH BORE), 2.0 (LIMITED DETENT)

CONNECTOR DURABILITY (MIN. CYCLES) _____ 1,000 (SMOOTH BORE), 250 (LIMITED DETENT)

4. ENVIRONMENTAL

TEMPERATURE CYCLING _____ MIL-STD-202, METHOD 102, COND. C (-65° c TO + 165° c)

SHOCK _____ MIL-STD-202, METHOD 213, COND. I (100 G's)

VIBRATION _____ MIL-STD-202, METHOD 204, COND. D (20 G's)

MOISTURE RESISTANCE _____ MIL-STD-202, METHOD 106, LESS STEP 7b

CORROSION _____ MIL-STD-202, METHOD 101, COND. B (48 HOURS)

BAROMETRIC PRESSURE (ALTITUDE) _____ MIL-STD-202, METHOD 105, COND. C (70,000 FT.) (125 VRMS)

5. MATERIAL

CONNECTOR BODY, LOCKNUT AND LOCKWASHER _____ STAINLESS STEEL PER ASTM A 582, TYPE 303, COND. A

CENTER CONTACT _____ BERYLLIUM COPPER PER ASTM B196/B, 196M-03, COPPER ALLOY No. UNS C17300, TEMPER T004.

INSULATORS _____ TEFLON PER ASTM D 1710-02, TYPE 1, CLASS 1, GRADE B.

6. FINISH

CONNECTOR BODY, LOCKNUT AND LOCKWASHER _____ PASSIVATE PER AMS 2700, TYPE 2, CLASS 4.

CENTER CONTACT _____ GOLD PER ASTM-B-488, TYPE I, CODE C, CLASS 1.25
(.000050 MIN. THK.) OVER NICKEL PER SAE AMS QQ-N-290, CLASS 1
(.000050 MIN. THK.) OVER COPPER PER AMS 2418 (.000010 MIN. THK.)

INSULATORS _____ N/A