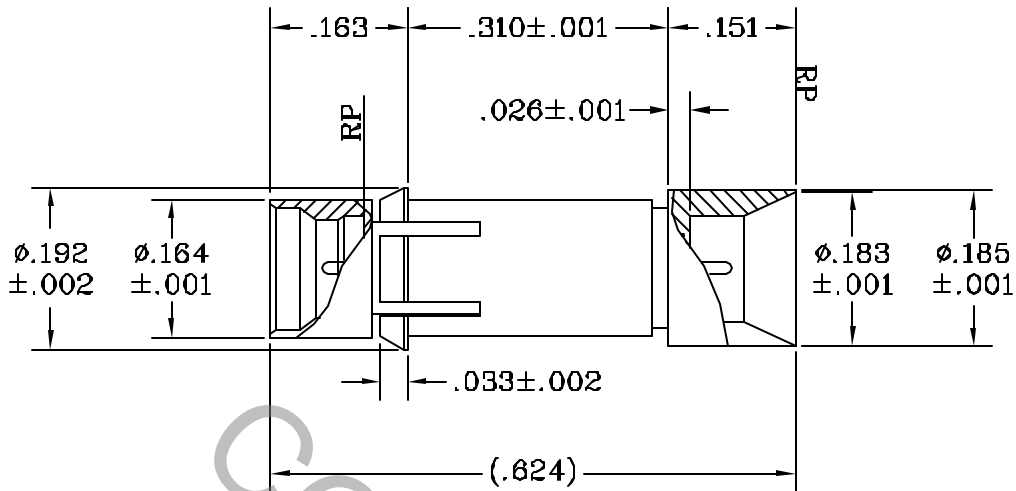


# SPECIFICATION CONTROL DRAWING




MOUNTING HOLE SIZE TO BE  $\phi$ .166

1. MATING INTERFACE DIMENSIONS PER DYNAWAVE SPEC. MD-21.

2. ELECTRICAL

FREQUENCY RANGE GHz	DC TO 40 GHz.
VSWR (MAX) *	1.04 + .004 x FGHz.
INSERTION LOSS (dB MAX) *	.030 dB x $\sqrt{\text{FGHz}}$ .
NOMINAL IMPEDANCE (OHMS)	50
VOLTAGE RATING (MAX. VRMS)	250
RF LEAKAGE (MIN. dB DOWN)	85 dB - FGHz.
TEMPERATURE RATING (DEGREES CENTIGRADE)	-85 ° c TO +165 ° c
DIELECTRIC WITHSTANDING VOLTAGE (MAX. VRMS)	750
INSULATION RESISTANCE (MIN. MEGOHMS)	10,000
CONTACT RESISTANCE	
• CENTER CONTACT (MAX. MILLIOHMS)	3.0
• OUTER CONTACT (MAX. MILLIOHMS)	2.0

\* TERMINATED IN A 50 OHM LOAD

REV.	DCN NO.	DATE	APP.	DIMENSIONS ARE IN INCHES TOLERANCES		 HAVERHILL, MA 01835	
				DECIMALS	FRACTIONAL		ANGULAR
AA	03-1740			X ± .030 XX ± .010 XXX ± .005	±/84	X ° ± 1' 0" X" X' ± 16'	TITLE SMP MALE, FULL DETENT TO SMP MALE CATCHERS MIT SNAP IN ADAPTER
				SURFACE ROUGHNESS 89 $\sqrt{\text{MIL-STD 10}}$ .			
				DRAWN	BN	DATE 6/2/03	
				APPROVED		DATE	
				CODE IDENT.		SHEET 1 OF 2	DWG. NO. 1110-2121-6262
				2J899			

# SPECIFICATION CONTROL DRAWING

## 3. MECHANICAL

### CAPTIVATION-CENTER CONTACT

- MIN. AXIAL FORCE \_\_\_\_\_ 4.5 LBS.
- MIN. RADIAL TORQUE \_\_\_\_\_ N/A

### CONNECTOR ENGAGEMENT FORCES

- INSERTION (MAX. OUNCES) \_\_\_\_\_ N/A
- WITHDRAWAL (MIN. OUNCES) \_\_\_\_\_ N/A

CONNECTOR DURABILITY (MIN. MATING) \_\_\_\_\_ 500

### CONNECTOR INSTALLATION / REMOVAL FORCE.

- INSERTION (MAX. LBS) \_\_\_\_\_ 10
- WITHDRAWAL (MIN. LBS) \_\_\_\_\_ 10

CONNECTOR RETENTION \_\_\_\_\_ 22 LBS ( BOTH DIRECTIONS)

## 4. ENVIRONMENTAL

TEMPERATURE CYCLING \_\_\_\_\_ MIL-STD-202, METHOD 102, COND. C ( -65 ° c TO + 165 ° c )

SHOCK \_\_\_\_\_ MIL-STD-202, METHOD 213, COND. I (100 G's)

VIBRATION \_\_\_\_\_ MIL-STD-202, METHOD 204, COND. D (20 G's)

MOISTURE RESISTANCE \_\_\_\_\_ MIL-STD-202, METHOD 106, LESS STEP 7b

CORROSION \_\_\_\_\_ MIL-STD-202, METHOD 101, COND. B (48 HOURS)

BAROMETRIC PRESSURE (ALTITUDE) \_\_\_\_\_ MIL-STD-202, METHOD 105, COND. C ( 70,000 FT. ) ( 125 VRMS )

## 5. MATERIAL

BODY (FULL DETENT) \_\_\_\_\_ STAINLESS STEEL PER ASTM A 581, TYPE 303, COND A

SLOTTED BODY AND CONTACT \_\_\_\_\_ BERYLLIUM COPPER PER QQ-G-530, ALLOY 173, COND HT.

INSULATOR \_\_\_\_\_ TEFLON PER D1457

## 6. FINISH

BODY (FUL DETENT) \_\_\_\_\_ PASSIVATED PER QQ-P-35D, TYPE VI

SLOTTED BODY AND CONTACT \_\_\_\_\_ GOLD PER MIL-G-45204, TYPE II, GRADE C, CLASS 2  
(.000010 MIN.) OVER NICKEL PER QQ-N-290, CLASS 1  
(.000010 MIN.) OVER COPPER PER MIL-C-14550 (.000010 MIN.)

INSULATOR \_\_\_\_\_ N/A