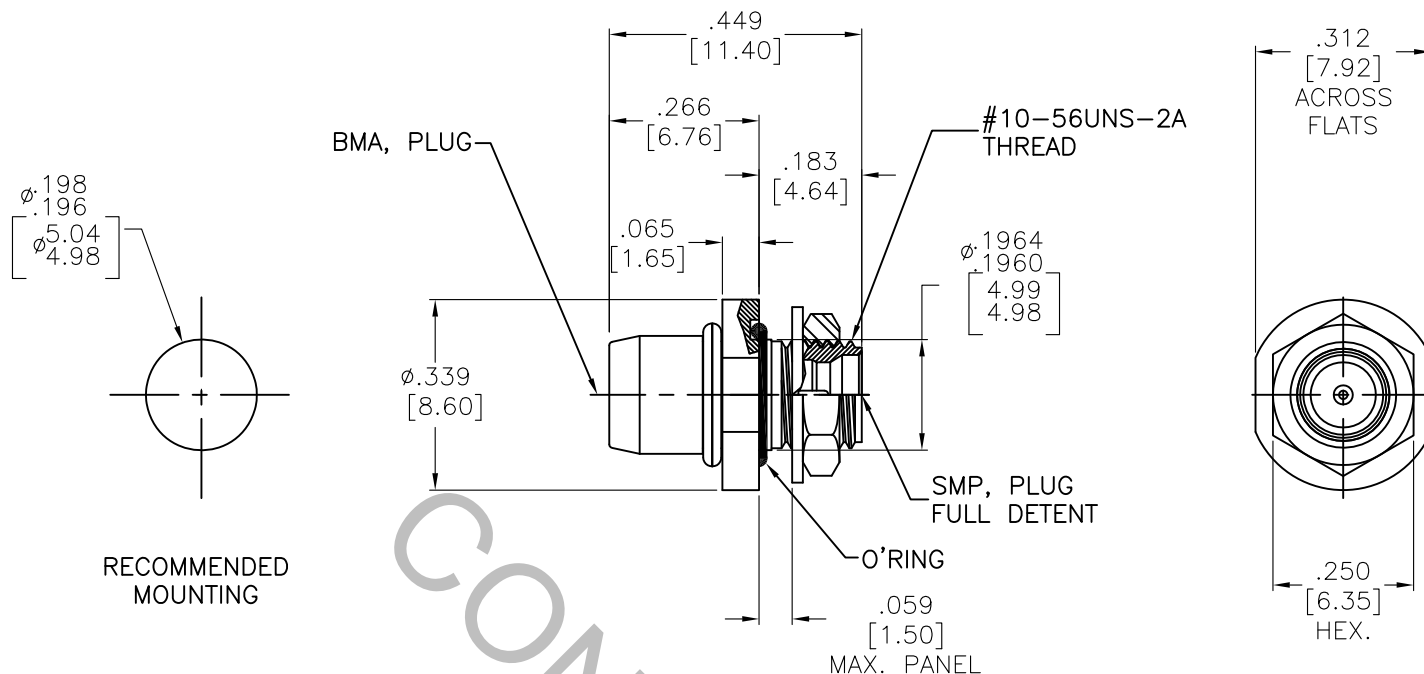


SPECIFICATION CONTROL DRAWING




1. MATING INTERFACE DIMENSIONS PER MIL-STD-348A, Fig. 326.2 (SMP, PLUG) AND Fig 321.1 (BMA, PLUG).

2. ELECTRICAL

FREQUENCY RANGE GHz	_____	DC TO 22.0 GHz
VSWR (MAX) *	_____	1.05 + .005 x FGHz
INSERTION LOSS (dB MAX) *	_____	.04 dB x √FGHz
NOMINAL IMPEDANCE (OHMS)	_____	50
VOLTAGE RATING (MAX. VRMS)	_____	335
RF LEAKAGE (MIN. dB DOWN)	_____	-100 dB - FGHz
TEMPERATURE RATING (DEGREES CENTIGRADE)	_____	-65°C TO + 165°C
DIELECTRIC WITHSTANDING VOLTAGE (MAX. VRMS)	_____	500
INSULATION RESISTANCE (MIN. MEGOHMS)	_____	5,000
CONTACT RESISTANCE		
• CENTER CONTACT (MAX. MILLIOHMS)	_____	6.0
• OUTER CONTACT (MAX. MILLIOHMS)	_____	2.0

* TERMINATED IN A 50 OHM LOAD

RoHS
COMPLIANT

REV.	DCN NO.	DATE	APP.	DIMENSIONS ARE IN INCHES TOLERANCES			 HAVERHILL, MA 01835
AA	12-2264	12/17/12	TS	DECIMALS .X ± .030 .XX ± .010 .XXX ± .005	FRACTIONAL ± 1/64	ANGULAR X ° ± 1° 0' X ° X' ± 15'	
				DRAWN	TS	DATE	12/17/12
				APPROVED	DC	DATE	12/17/12
				CODE IDENT.	SHEET 1 OF 2		DWG. NO. 1110-2128-6200
							TITLE SMP, PLUG, (FULL DETENT) TO BMA PLUG, BULKHEAD PANEL ADAPTER

SPECIFICATION CONTROL DRAWING

3. MECHANICAL

CAPTIVATION-CENTER CONTACT

MAX AXIAL FORCE _____ 3.5 LBS.

MAX RADIAL TORQUE _____ N/A

CONNECTOR ENGAGEMENT FORCE

● INSERTION (MAX. LBS.) _____ 15.0 (FULL DETENT)

● WITHDRAWAL (MIN. LBS.) _____ 5.0 (FULL DETENT)

CONNECTOR DURABILITY (MIN. CYCLES) _____ 100 (FULL DETENT)

RECOMMENDED MATING TORQUE _____ 5 - 8 IN. LBS.

4. ENVIRONMENTAL

TEMPERATURE CYCLING _____ MIL-STD-202, METHOD 102, COND. C (-65° c TO + 165° c)

SHOCK _____ MIL-STD-202, METHOD 213, COND. I (100 G's)

VIBRATION _____ MIL-STD-202, METHOD 204, COND. D (20 G's)

MOISTURE RESISTANCE _____ MIL-STD-202, METHOD 106, LESS STEP 7b

CORROSION _____ MIL-STD-202, METHOD 101, COND. B (48 HOURS)

BAROMETRIC PRESSURE (ALTITUDE) _____ MIL-STD-202, METHOD 105, COND. C (70,000 FT.) (125 VRMS)

5. MATERIAL

CONNECTOR BODY, LOCKNUT AND LOCKWASHER _____ STAINLESS STEEL PER ASTM A 581, TYPE 303, COND. A

CENTER CONTACT _____ BERYLLIUM COPPER PER ASTM B196/B, 196M-03, COPPER ALLOY No. UNS C17300, TEMPER TD04.

INSULATOR _____ TEFLON PER ASTM D 1710-02, TYPE 1, CLASS 1, GRADE B.

O'RING _____ SILICONE RUBBER PER ZZ-R-765E, CLASS 1 OR ASM 3304

6. FINISH

CONNECTOR BODY, LOCKNUT AND LOCKWASHER _____ PASSIVATE PER AMS 2700, TYPE 2, CLASS 4.

CENTER CONTACT _____ GOLD PER ASTM-B-488, TYPE I, CODE C, CLASS 1.27
(.000050 MIN. THK.) OVER NICKEL PER SAE AMS QQ-N-290, CLASS 1
(.000050 MIN. THK.) OVER COPPER PER AMS 2418 (.000010 MIN. THK.)

INSULATOR AND O'RING _____ N/A