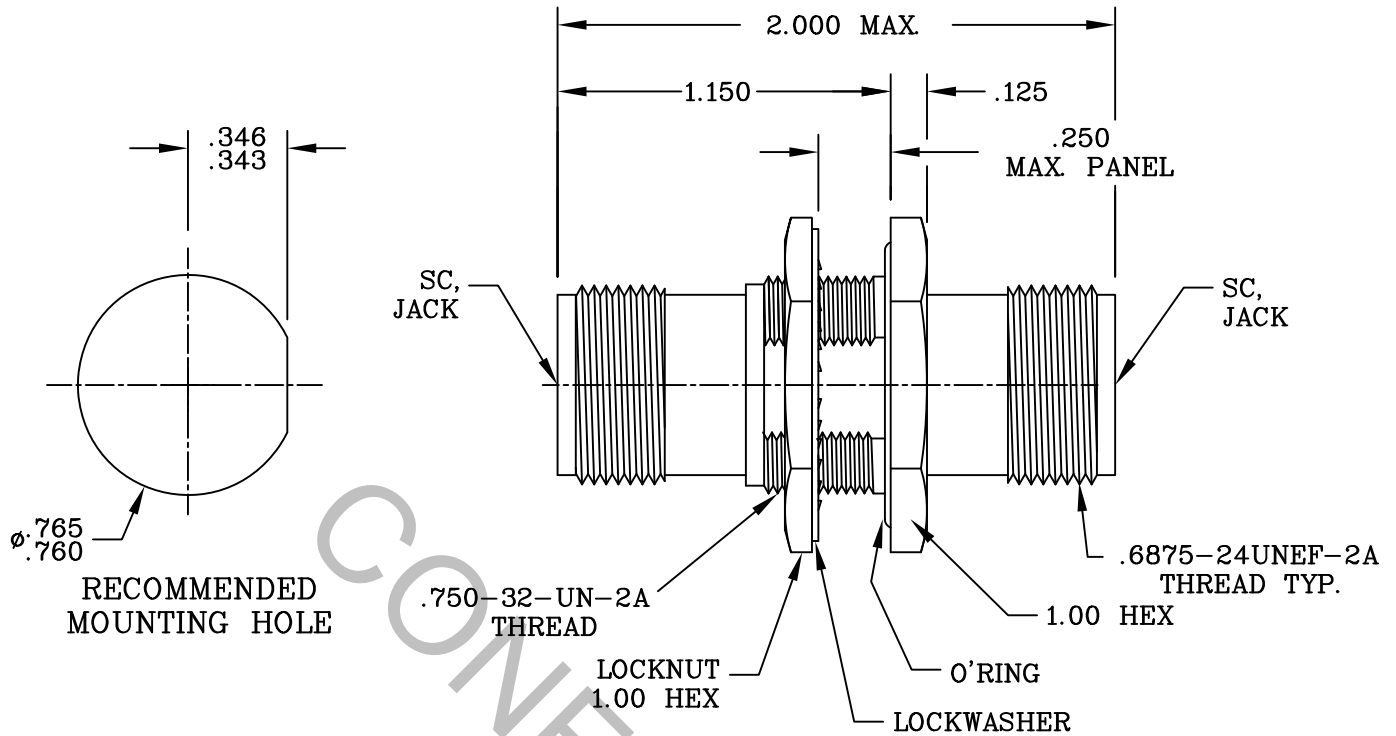


SPECIFICATION CONTROL DRAWING



1. MATING INTERFACE DIMENSIONS PER MIL-STD-348, (Fig. 309.2).


2. ELECTRICAL

FREQUENCY RANGE GHz	_____	DC TO 3.0 GHz.
VSWR (MAX.) *	_____	1.15
INSERTION LOSS (dB MAX.) *	_____	0.20 dB
NOMINAL IMPEDANCE (OHMS)	_____	50
VOLTAGE RATING (MAX. VRMS)	_____	1,000
RF LEAKAGE (MIN. dB DOWN)	_____	-100 dB - FGHz
TEMPERATURE RATING (DEGREES CENTIGRADE)	_____	-65°C TO + 100°C
DIELECTRIC WITHSTANDING VOLTAGE (MAX. VRMS)	_____	3,500
INSULATION RESISTANCE (MIN. MEGOHMS)	_____	10,000
CONTACT RESISTANCE		
• CENTER CONTACT (MAX. MILLIOHMS)	_____	6.0
• OUTER CONTACT (MAX. MILLIOHMS)	_____	2.0

*TERMINATED IN A 50 OHM LOAD

This Document contains proprietary and confidential information.

RoHS
COMPLIANT

REV.	DCN NO.	DATE	APP.	DIMENSIONS ARE IN INCHES TOLERANCES			 HAVERHILL, MA. 01835
AA	14-2511	12/3/14	TS	DECIMALS	FRACTIONAL	ANGULAR	
AB	18-1598	5/31/18	TS	.X ± .030 .XX ± .010 .XXX ± .005	±/64	X ° ± 1 0' X ° X' ± 15'	TITLE SC, JACK TO SC, JACK BULKHEAD ADAPTER DWG. NO. 1110-7979-6252
				DRAWN	TS	DATE 12/3/14	
				APPROVED	DC	DATE 12/3/14	
				CODE IDENT.		SHEET 1 OF 1	
				2J899			

SPECIFICATION CONTROL DRAWING

3. MECHANICAL

CAPTIVATION-CENTER CONTACT

- MIN. AXIAL FORCE _____ 6.0 LBS.
- MIN. RADIAL TORQUE _____ N/A

CENTER CONTACT AXIAL FORCES

- INSERTION (MAX. OUNCES) _____ 48.0
- WITHDRAWAL (MIN. OUNCES) _____ 2.0

CONNECTOR ENGAGEMENT/DISENGAGEMENT (MAX. LBS.) _____ 2.0

CONNECTOR DURABILITY (MIN. CYCLES) _____ 500

RECOMMENDED MATING TORQUE _____ 30 - 35 IN./LBS.

RECOMMENDED MOUNTING TORQUE _____ 45 - 55 IN./LBS.

4. ENVIRONMENTAL

TEMPERATURE CYCLING _____ MIL-STD-202, METHOD 102, COND. C (-65 & TO + 100 c)

SHOCK _____ MIL-STD-202, METHOD 213, COND. I (100 G's)

VIBRATION _____ MIL-STD-202, METHOD 204, COND. D (20 G's)

MOISTURE RESISTANCE _____ MIL-STD-202, METHOD 106, LESS STEP 7b

CORROSION _____ MIL-STD-202, METHOD 101, COND. B (48 HOURS)

BAROMETRIC PRESSURE (ALTITUDE) _____ MIL-STD-202, METHOD 105, COND. C (70,000 FT.) (850 VRMS)

5. POWER

a) 1.0 Ghz. + 40° C @ SEA LEVEL _____ 2000 WATTS CW

b) 1.0 Ghz. + 100° C @ SEA LEVEL _____ 1500 WATTS CW

c) 2.0 Ghz. + 40° C @ SEA LEVEL _____ 1600 WATTS CW

d) 2.0 Ghz. + 100° C @ SEA LEVEL _____ 1200 WATTS CW

OTHER ALTITUDE DE-RATING FACTORS:

- 1) 20,000 FEET, 80% OF VALUE SHOWN
- 2) 40,000 FEET, 60% OF VALUE SHOWN
- 3) 70,000 FEET, 40% OF VALUE SHOWN

6. MATERIAL

CONNECTOR BODY, LOCKNUT AND LOCKWASHER _____ STAINLESS STEEL PER ASTM A 582, TYPE 303, COND. A.

CENTER CONTACT _____ BERYLLIUM COPPER PER ASTM B 196B, 196M-03, COPPER ALLOY UNS C17300, TEMPER TD04.

INSULATOR _____ TEFLON PER ASTM D 17102, TPYE 1, GRADE 1, CLASS 4.

O'RING _____ SILICONE RUBBER PER MIL-R-6855, CLASS 1, GRADE 60.

7. FINISH

CONNECTOR BODY, LOCKNUT AND LOCKWASHER _____ PASSIVATE PER AMS 2700, TYPE 2, CLASS B.

CENTER CONTACT _____ GOLD PER ASTM B 488, TYPE II, CODE C, CLASS 1.27
(.000050 MIN. THK.) OVER NICKEL PER SAE AMS QQ-N-290, CLASS 1
(.000050 MIN. THK.) OVER COPPER PER AMS 2418 (.000010 MIN. THK)

INSULATOR AND O'RING _____ N/A