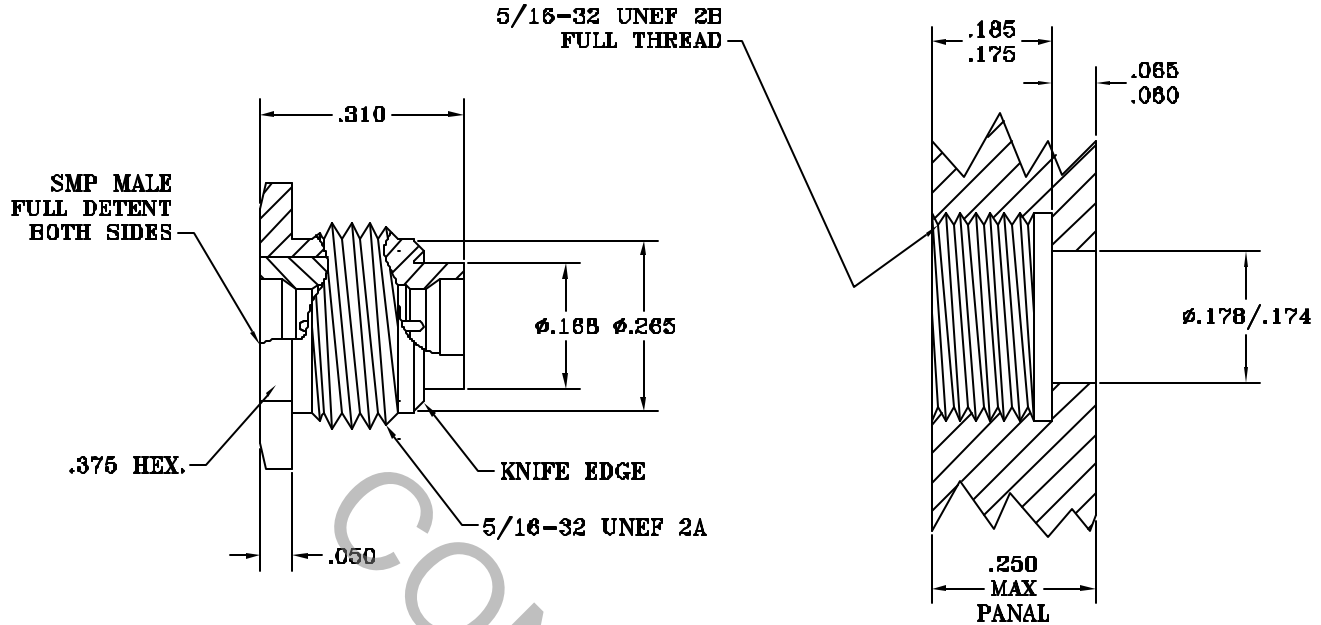


SPECIFICATION CONTROL DRAWING




1. **MATING** INTERFACE DIMENSIONS FOR SMP, MALE per MIL-STD-348, Fig. 326-2 AND PER DYNAWAVE SPECIFICATION MD-21-3.

2. **ELECTRICAL**

| | | |
|---|-------|--------------------------------|
| FREQUENCY RANGE GHz | _____ | DC TO 40.0 GHz |
| VSWR (MAX.) | _____ | 1.07 + .010 x FGHZ. |
| INSERTION LOSS (dB MAX.) | _____ | .05 dB x $\sqrt{\text{FGHZ.}}$ |
| NOMINAL IMPEDANCE (OHMS) | _____ | 50 |
| VOLTAGE RATING (MAX. VRMS) | _____ | 190 |
| RF LEAKAGE (MIN. dB DOWN) | _____ | 85 dB - FGHZ |
| TEMPERATURE RATING (DEGREES CENTIGRADE) | _____ | -65° c TO +200° c |
| DIELECTRIC WITHSTANDING VOLTAGE (MAX. VRMS) | _____ | 500 |
| INSULATION RESISTANCE (MIN. MEGOHMS) | _____ | 5,000 |
| CONTACT RESISTANCE | | |
| ● CENTER CONTACT (MAX. MILLIOHMS) | _____ | 10.0 |
| ● OUTER CONTACT (MAX. MILLIOHMS) | _____ | 2.0 |

✿ TERMINATED IN A 50 OHM LOAD

| REV. | DCN NO. | DATE | APP. | DIMENSIONS ARE IN INCHES TOLERANCES | | |  <small>INCORPORATED</small> GEORGETOWN MA. 01833 |
|------|---------|---------|------|--|----------------------|--------------------------------------|--|
| AA | 03-1525 | 4/22/03 | DC | DECIMALS X ± .030 .XX ± .010 XXX ± .005 | FRACTIONAL ± 1/64 | ANGULAR X° ± 1° 0' X° X' ± 15' | |
| AB | 03-1526 | | | SURFACE ROUGHNESS 63 \checkmark MIL-STD 10. | | | |
| | | | | DRAWN | BN | DATE 4/21/03 | TITLE SMP, MALE(FD) TO SMP MALE (FD) HERMETIC THREAD IN ADAPTER |
| | | | | APPROVED | DC | DATE 4/22/03 | |
| | | | | CODE IDENT. | SHEET 1 OF 2 | | DWG. NO. 1130-2121-6480 |
| | | | | 2J899 | | | |