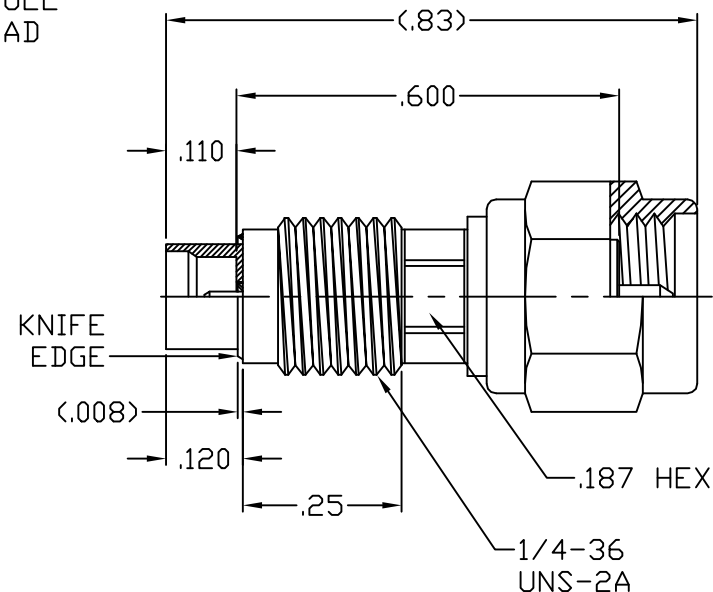
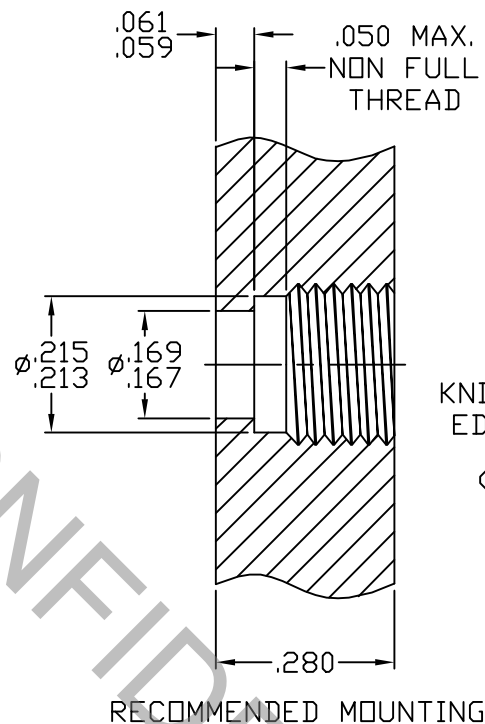


ADAPTER SERIES: : SMP / SMA  
 CENTER CONDUCTOR END 1: : MALE PIN  
 CENTER CONDUCTOR END 2: : MALE PIN  
 NOMINAL IMPEDANCE: (OHMS) : 50  
 CONTACT CAPTIVATION: : 6.0 LBS.  
 FREQUENCY RANGE: : DC TO 18.0 GHz.  
 QPL SPECIFICATION: : N/A  
 QPL EQUIVALENT: : N/A

MATING CHARACTERISTICS : MIL-STD-348-326.4  
 : MIL-STD-348-310.1

MATING TORQUE : 7 TO 10 POUND INCHES  
 MOUNTING TORQUE : 20 TO 23 POUND INCHES  
 TEMPERATURE RANGE : -55 / +125 DEGREES C.

ELECTRICAL:  
 VSWR MAXIMUM : 1.07 x F<sup>.08</sup> (F IN GHz.)  
 INSERTION LOSS MAXIMUM : .045 x F<sup>.5</sup> (F IN GHz.)  
 R.F. LEAKAGE MINIMUM : -100 dB  
 D.C. RESISTANCE : 5,000 MOHMS MINIMUM  
 D.W.V. : 500 VRMS



ITEM	MATERIALS	FINISHES
BODY	: 303 STAINLESS PER ASTM-A-582	: PASSIVATE PER QQ-P-35
COUPLING NUT	: 303 STAINLESS PER ASTM-A-582	: PASSIVATE PER QQ-P-35
RETAINING RING	: COPPER, BERYLLIUM PER ASTM-B194	: N/A
GASKET	: RUBBER, SILICONE PER ZZ-R-765	: N/A
INSULATORS	: PTFE PER ASTM-D-1710	: N/A
CONTACT	: COPPER, BERYLLIUM PER ASTM-B196	: GOLD PER ASTM-B-488

REV.	DCN NUMBER	DATE	APP.
AA	04-1446	4/7/04	DC

## SPECIFICATION CONTROL DRAWING

DECIMALS	TOLERANCES FRACTIONAL	DEGREES
.X ±.030		X°10'
.XX ±.010	± 1/16"	X°X' ±15'
.XXX ±.005		

DRAWN: DC DATE: 4/7/04

APPROVED: DC DATE: 4/7/04

SCALE	CODE IDENT	SHEET
N/A	2J899	1 of 1

**dynawave**  
 INCORPORATED  
 Haverhill, MA. 01835

TITLE  
**SMP MALE (SB)  
 TO SMA PLUG  
 ADAPTER**

DRAWING  
 NO. **1130-2198-6209**