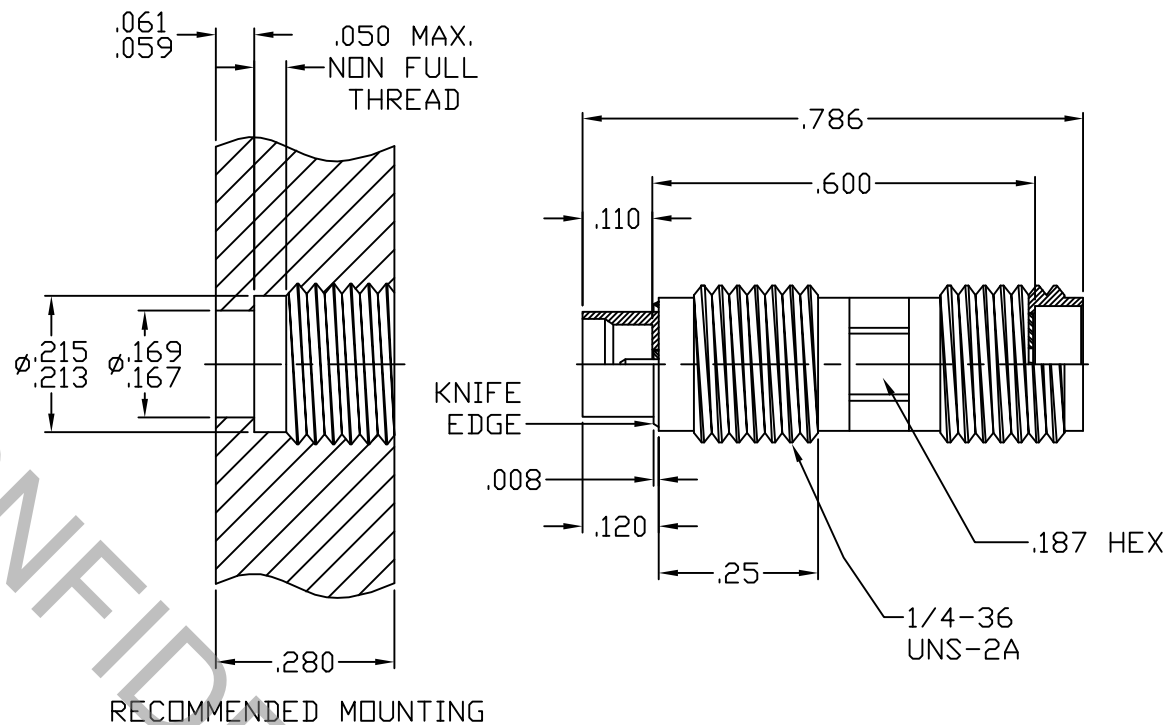


ADAPTER SERIES: : SMP / SMA  
 CENTER CONDUCTOR END 1: : MALE PIN  
 CENTER CONDUCTOR END 2: : FEMALE SOCKET  
 NOMINAL IMPEDANCE: (OHMS) : 50  
 CONTACT CAPTIVATION: : 6.0 LBS.  
 FREQUENCY RANGE: : DC TO 18.0 GHz.  
 QPL SPECIFICATION: : N/A  
 QPL EQUIVALENT: : N/A

MATING CHARACTERISTICS : MIL-STD-348-326.4  
 : MIL-STD-348-310.2

MATING TORQUE : 7 TO 10 POUND INCHES  
 MOUNTING TORQUE : 20 TO 23 POUND INCHES  
 TEMPERATURE RANGE : -55 / +125 DEGREES C.

ELECTRICAL:  
 VSWR MAXIMUM : 1.07 x F<sup>.08</sup> (F IN GHz.)  
 INSERTION LOSS MAXIMUM : .045 x F<sup>.5</sup> (F IN GHz.)  
 R.F. LEAKAGE MINIMUM : -100 dB  
 D.C. RESISTANCE : 5,000 MOHMS MINIMUM  
 D.W.V. : 500 VRMS



| ITEM       | MATERIALS                         | FINISHES                |
|------------|-----------------------------------|-------------------------|
| BODY       | : 303 STAINLESS PER ASTM-A-582    | : PASSIVATE PER QQ-P-35 |
| GASKET     | : RUBBER, SILICONE PER ZZ-R-765   | : N/A                   |
| INSULATORS | : PTFE PER ASTM-D-1710            | : N/A                   |
| CONTACT    | : COPPER, BERYLLIUM PER ASTM-B196 | : GOLD PER ASTM-B-488   |

| REV. | DCN NUMBER | DATE   | APP. |
|------|------------|--------|------|
| AA   | 04-1446    | 4/7/04 | DC   |
|      |            |        |      |
|      |            |        |      |
|      |            |        |      |
|      |            |        |      |
|      |            |        |      |

## SPECIFICATION CONTROL DRAWING



TITLE  
**SMP MALE (SB)  
 TO SMA JACK  
 ADAPTER**

| TOLERANCES |            |           |
|------------|------------|-----------|
| DECIMALS   | FRACTIONAL | DEGREES   |
| .X ±.030   |            | X°10'     |
| .XX ±.010  | ± 1/16"    | X°X' ±15' |
| .XXX ±.005 |            |           |

DRAWN: DC      DATE: 4/7/04

APPROVED: DC      DATE: 4/7/04

| SCALE | CODE IDENT | SHEET  |
|-------|------------|--------|
| N/A   | 2J899      | 1 of 1 |

DRAWING NO. **1130-2199-6209**