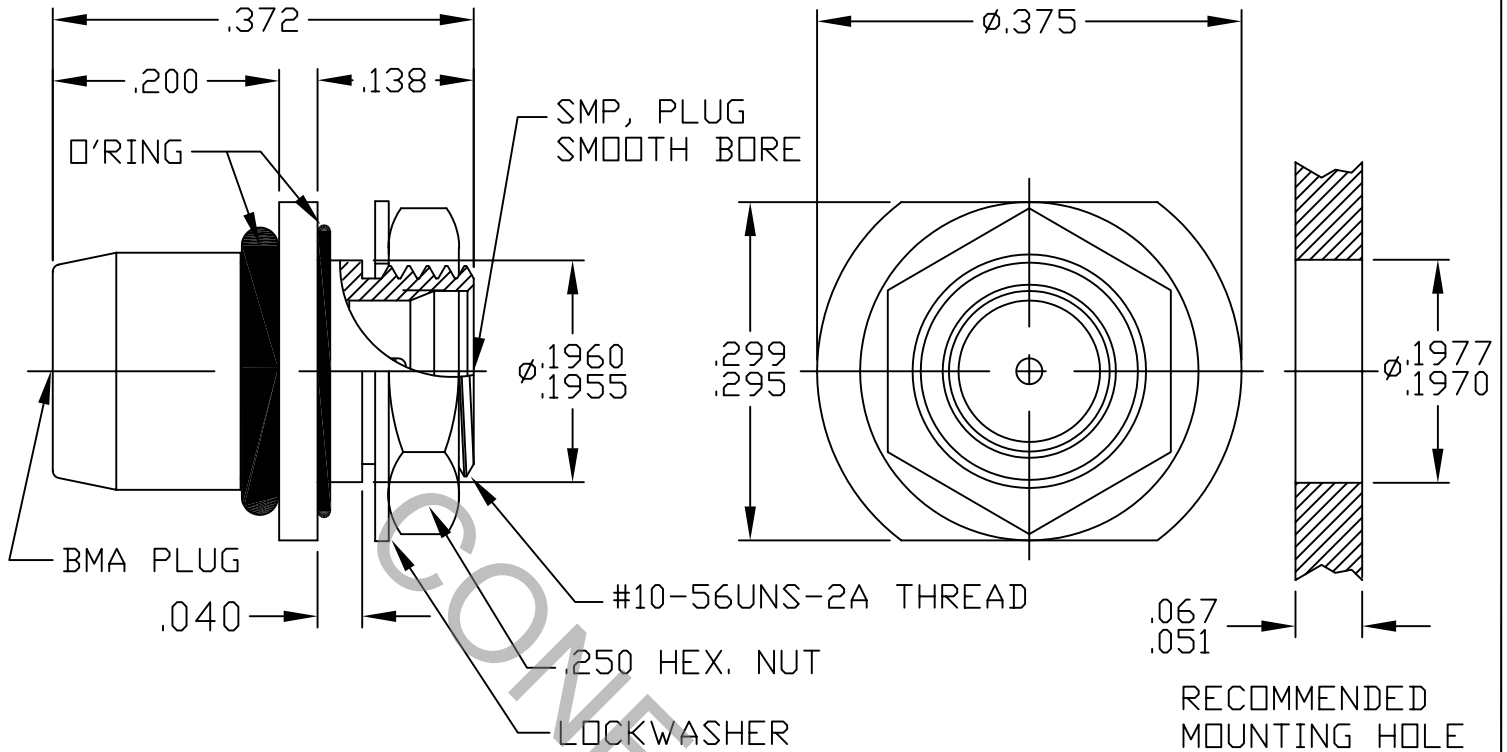


SPECIFICATION CONTROL DRAWING



1. MATING INTERFACE DIMENSIONS per MIL-STD-348 Fig. 326.4 (SMP MALE SMOOTH BORE) AND Fig. 321.1 (BMA PLUG)

2. ELECTRICAL

FREQUENCY RANGE GHz	_____	DC TO 22.0 GHz.
VSWR (MAX.) *	_____	1.06 + .006 x FGHz.
INSERTION LOSS (dB MAX.) *	_____	.035 dB x $\sqrt{\text{FGHz}}$
NOMINAL IMPEDANCE (OHMS)	_____	50
VOLTAGE RATING (MAX. VRMS)	_____	250
RF LEAKAGE (MIN. dB DOWN)	_____	-85 dB - FGHz.
TEMPERATURE RATING (DEGREES CENTIGRADE)	_____	-65 °c TO + 165 °c
DIELECTRIC WITHSTANDING VOLTAGE (MAX. VRMS)	_____	750
INSULATION RESISTANCE (MIN. MEGOHMS)	_____	10,000
CONTACT RESISTANCE		
• CENTER CONTACT (MAX. MILLIOHMS)	_____	6.0
• OUTER CONTACT (MAX. MILLIOHMS)	_____	2.0

*TERMINATED IN A 50 OHM LOAD

REV.	DCN NO.	DATE	APP.	DIMENSIONS ARE IN INCHES TOLERANCES			HAVERHILL, MA. 01835
AA	06-1682	5/23/06	TS	DECIMALS .X ±.030 .XX ±.010 .XXX ±.005	FRACTIONAL ±1/64	ANGULAR X ° ±1'0" X ° X' ±15'	
				DRAWN TS	DATE 5/23/06	TITLE BMA PLUG TO SMP MALE (SB) ADAPTER	
				APPROVED DC	DATE 5/23/06		
				CODE IDENT. 2J899	SHEET 1 OF 2	DWG. NO.	1139-2128-6200

SPECIFICATION CONTROL DRAWING

3. MECHANICAL

CAPTIVATION-CENTER CONTACT

MAX. AXIAL FORCE _____ 4.5 LBS.

MAX. RADIAL TORQUE _____ N/A

CENTER CONTACT AXIAL FORCES

● INSERTION (MAX. OUNCES) _____ 32.0

● WITHDRAWAL (MIN. OUNCES) _____ 1.0

CONNECTOR ENGAGEMENT (MAX. LBS.) _____ 2.0 BMA, 2.0 SMP

CONNECTOR DISENGAGEMENT (MAX. LBS.) _____ N/A BMA, 0.5 SMP

CONNECTOR DURABILITY (MIN. CYCLES) _____ 500

RECOMMENDED MATING TORQUE _____ N/A

4. ENVIRONMENTAL

TEMPERATURE CYCLING _____ MIL-STD-202, METHOD 102, COND. C (-65 °c TO + 165° c)

SHOCK _____ MIL-STD-202, METHOD 213, COND. I (100 G's)

VIBRATION _____ MIL-STD-202, METHOD 204, COND. D (20 G's)

MOISTURE RESISTANCE _____ MIL-STD-202, METHOD 106, LESS STEP 7b

CORROSION _____ MIL-STD-202, METHOD 101, COND. B (48 HOURS)

BAROMETRIC PRESSURE (ALTITUDE) _____ MIL-STD-202, METHOD 105, COND. C (70,000 FT.) (190 VRMS)

5. MATERIAL

BODY, LOCKNUT AND LOCKWASHER _____ STAINLESS STEEL PER ASTM A 582, TYPE 303, COND. A

CONTACT _____ BERYLLIUM COPPER PER ASTM B 196, COPPER ALLOY
UNS C 17800, TEMPER TD04

INSULATOR _____ TEFLON PER ASTM D 1710

O-RING _____ NITRIL (BUNA N)

6. FINISH

BODY, LOCKNUT AND LOCKWASHER _____ PASSIVATE PER AMS QQ-P-35, TYPE 2

CONTACT _____ GOLD PER ASTM B 488, TYPE I, CODE C, CLASS 2.5
(.000100 Min. Thk.) OVER NICKEL PER QQ-N-290
(.000050 Min. Thk.) OVER COPPER PER MIL-C-14550
(.000010 Min. Thk.).

INSULATOR AND O-RING _____ N/A