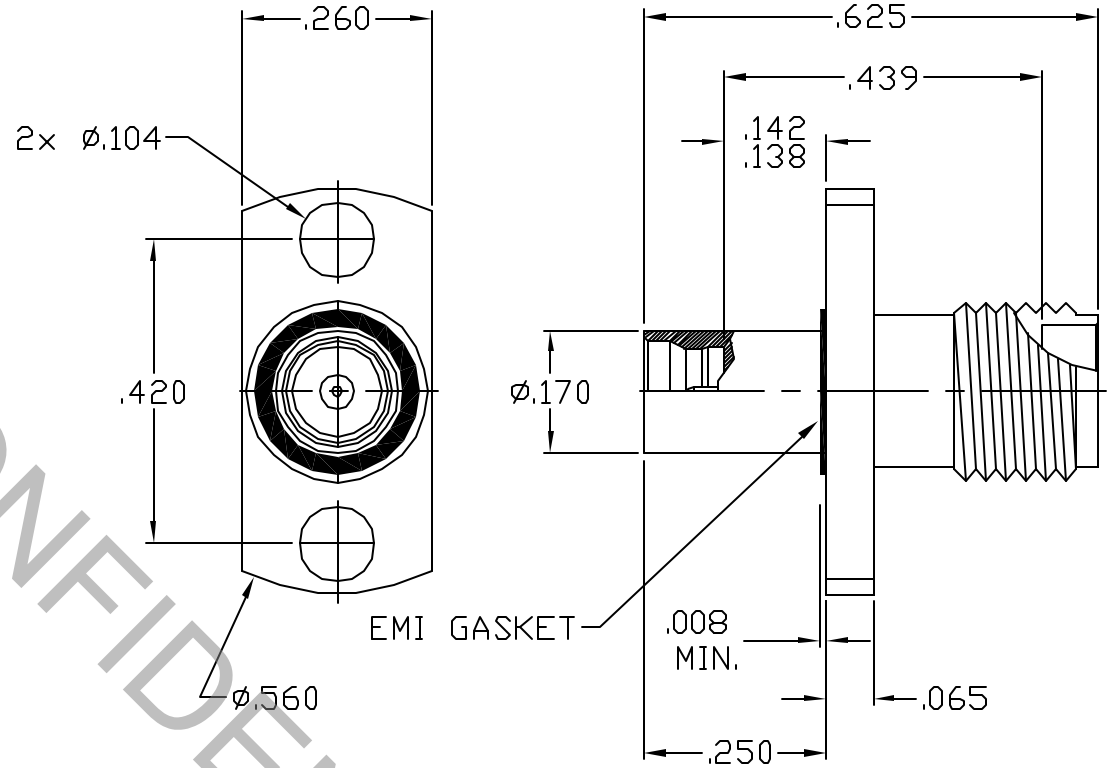


ADAPTER SERIES: : SMP / SMA  
 CENTER CONDUCTOR END 1: : MALE PIN  
 CENTER CONDUCTOR END 2: : FEMALE SOCKET  
 NOMINAL IMPEDANCE: (OHMS) : 50  
 CONTACT CAPTIVATION: : 6.0 LBS.  
 FREQUENCY RANGE: : DC TO 26.5 GHz.  
 QPL SPECIFICATION: : N/A  
 QPL EQUIVALENT: : N/A

MATING CHARACTERISTICS : MIL-STD-348-326.4  
 : MIL-STD-348-310.2  
 MATING TORQUE : 7 TO 10 POUND INCHES  
 MOUNTING TORQUE : N/A  
 TEMPERATURE RANGE : -55 / +125 DEGREES C.

ELECTRICAL:  
 VSWR MAXIMUM : 1.05 x F<sup>.04</sup> (F IN GHz.)  
 INSERTION LOSS MAXIMUM : .040 x F<sup>.5</sup> (F IN GHz.)  
 R.F. LEAKAGE MINIMUM : -65 dB - F (F IN GHz.)  
 INSULATION RESISTANCE : 5,000 MEGOHMS MIN.



ITEM	MATERIALS	FINISHES
BODY	: 303 STAINLESS PER ASTM-A-582	: PASSIVATE PER QQ-P-35
INSULATOR	: PTFE PER ASTM-D-1710	: N/A
CONTACT	: COPPER, BERYLLIUM PER ASTM-B196	: GOLD PER ASTM-B-488
EMI GASKET	: SILVER PLATED ALUMINUM IN SILICONE	: N/A

REV.	DCN NUMBER	DATE	APP.
AA	07-1215		

## SPECIFICATION CONTROL DRAWING



**TITLE**  
 SMP MALE (FD) TO  
 SMA FEMALE 2 HOLE  
 FLANGE MOUNT  
 WITH EMI GASKET

TOLERANCES		
DECIMALS	FRACTIONAL	DEGREES
.X ±.030		X° ±1'
.XX ±.010	± 1/16"	X°X' ±15'
.XXX ±.005		

DRAWN: TS      DATE: 2/28/07  
 APPROVED: DC      DATE: 2/28/07

SCALE	CODE IDENT	SHEET
N/A	2J899	1 of 1

**DRAWING NO.**  
 1152-2199-6208