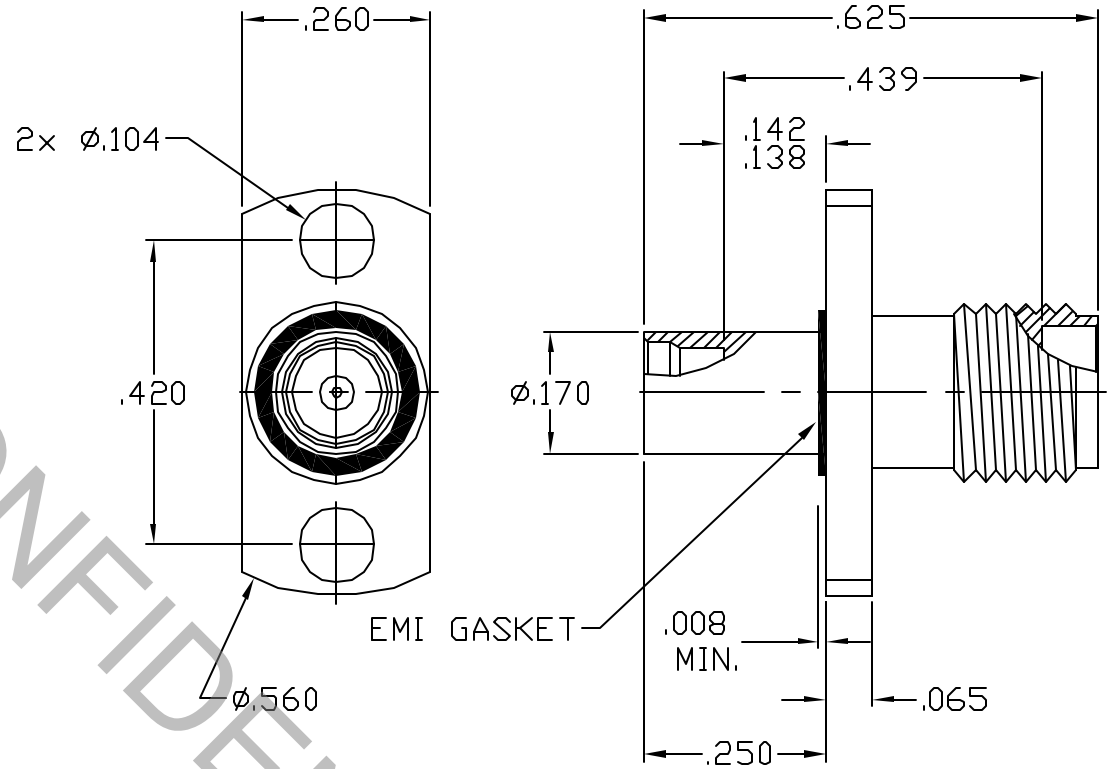


ADAPTER SERIES: : SMP / SMA
 CENTER CONDUCTOR END 1: : MALE PIN
 CENTER CONDUCTOR END 2: : FEMALE SOCKET
 NOMINAL IMPEDANCE: (OHMS) : 50
 CONTACT CAPTIVATION: : 6.0 LBS.
 FREQUENCY RANGE: : DC TO 26.5 GHz.
 QPL SPECIFICATION: : N/A
 QPL EQUIVALENT: : N/A

MATING CHARACTERISTICS : MIL-STD-348-326.4
 : MIL-STD-348-310.2
 MATING TORQUE : 7 TO 10 POUND INCHES
 MOUNTING TORQUE : N/A
 TEMPERATURE RANGE : -55 / +125 DEGREES C.

ELECTRICAL:
 VSWR MAXIMUM : 1.05 x F^{.04} (F IN GHz.)
 INSERTION LOSS MAXIMUM : .040 x F^{.5} (F IN GHz.)
 R.F. LEAKAGE MINIMUM : -65 dB - F (F IN GHz.)
 INSULATION RESISTANCE : 5,000 MEGOHMS MIN.



ITEM	MATERIALS	FINISHES
BODY	: 303 STAINLESS PER ASTM-A-582	: PASSIVATE PER QQ-P-35
INSULATOR	: PTFE PER ASTM-D-1710	: N/A
CONTACT	: COPPER, BERYLLIUM PER ASTM-B196	: GOLD PER ASTM-B-488
EMI GASKET	: SILVER PLATED ALUMINUM IN SILICONE	: N/A

REV.	DCN NUMBER	DATE	APP.
AA	07-1016	1/5/07	TS
AB	07-1022		

SPECIFICATION CONTROL DRAWING

dynawave
 INCORPORATED
 Haverhill, MA. 01835

TITLE SMP MALE (SB) TO
 SMA FEMALE 2 HOLE
 FLANGE MOUNT
 WITH EMI GASKET

TOLERANCES
 DECIMALS .X ±.030
 .XX ±.010
 .XXX ±.005
 FRACTIONAL ± 1/16"
 DEGREES X° ± 1°
 X' ± 15'

DRAWN: TS DATE: 1/5/07

APPROVED: DC DATE: 1/5/07

SCALE	CODE IDENT	SHEET
N/A	2J899	1 of 1

DRAWING
 NO. 1152-2199-6210