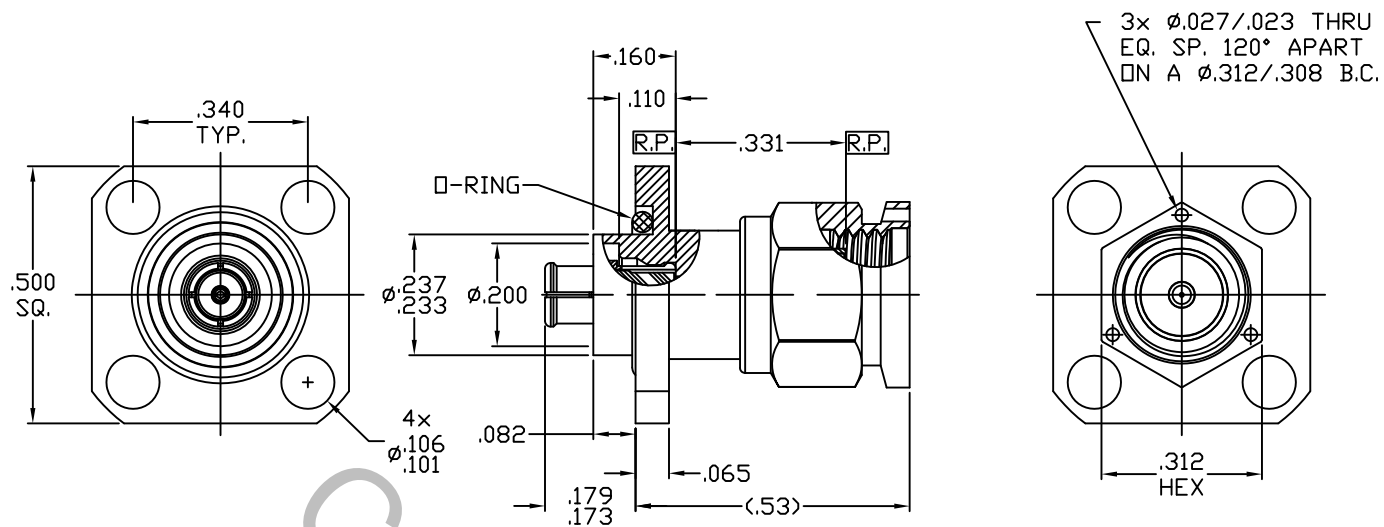


# SPECIFICATION CONTROL DRAWING




1. MATING INTERFACE DIMENSIONS Per MIL-STD-348 Fig. 326.2 (SMP MALE) FULL DETENT, Fig. 326.1 (SMP FEMALE) AND Fig. 310.1 (SMA PLUG).

## 2. ELECTRICAL

FREQUENCY RANGE GHz	_____	DC TO 26.5 GHz
VSWR (MAX.) *	_____	1.10 + .015 x FGHz
INSERTION LOSS (dB MAX.) *	_____	.10 dB x $\sqrt{\text{FGHz}}$
NOMINAL IMPEDANCE (OHMS)	_____	50
VOLTAGE RATING (MAX. VRMS)	_____	250
RF LEAKAGE (MIN. dB DOWN)	_____	-65 dB - FGHz
TEMPERATURE RATING (DEGREES CENTIGRADE)	_____	-65°C TO + 165°C
DIELECTRIC WITHSTANDING VOLTAGE (MAX. VRMS)	_____	750
INSULATION RESISTANCE (MIN. MEGOHMS)	_____	5,000
CONTACT RESISTANCE		
• CENTER CONTACT (MAX. MILLIOHMS)	_____	6.0
• OUTER CONTACT (MAX. MILLIOHMS)	_____	2.0

\* TERMINATED IN A 50 OHM LOAD

**RoHS**  
COMPLIANT

REV.	DCN NO.	DATE	APP.	DIMENSIONS ARE IN INCHES TOLERANCES			 HAVERHILL, MA 01835
AA	11-1389	4/27/11	TS	DECIMALS	FRACTIONAL	ANGULAR	
				.X ± .030		X ° ± 1° 0'	TITLE SMP FEMALE TO SMA PLUG, 4 HOLE FLANGE ADAPTER
				.XX ± .010	± 1/64	X ° X' ± 15'	
				.XXX ± .005			
				DRAWN TS	DATE 4/27/11		
				APPROVED DC	DATE 4/27/11		
				CODE IDENT.	SHEET 1 OF 2	DWG. NO.	1154-2098-6706
				2J899			

# SPECIFICATION CONTROL DRAWING

## 3. MECHANICAL

### CAPTIVATION-CENTER CONTACT

MAX AXIAL FORCE \_\_\_\_\_ 4.5 LBS.

MAX RADIAL TORQUE \_\_\_\_\_ N/A

### CENTER CONTACT AXIAL FORCES

● INSERTION (MAX OUNCES) \_\_\_\_\_ INTERFACES 32.0

● WITHDRAWAL (MIN. OUNCES) \_\_\_\_\_ SMP INTERFACE 1.0, SMA 2.0

CONNECTOR ENGAGEMENT/DISENGAGEMENT (MAX LBS.) \_\_\_\_\_ 2.0 SMA

CONNECTOR DURABILITY (MIN. CYCLES) \_\_\_\_\_ SMA 500, SMP 100

RECOMMENDED MATING TORQUE \_\_\_\_\_ SMA 7 - 10 IN. LBS.

## 4. ENVIRONMENTAL

THERMAL SHOCK \_\_\_\_\_ MIL-STD-202, METHOD 107, COND. B ( -65° c TO +165° c )

SHOCK \_\_\_\_\_ MIL-STD-202, METHOD 213, COND. I (100 G's)

VIBRATION \_\_\_\_\_ MIL-STD-202, METHOD 204, COND. D (20 G's)

MOISTURE RESISTANCE \_\_\_\_\_ MIL-STD-202, METHOD 106, LESS STEP 7b

CORROSION \_\_\_\_\_ MIL-STD-202, METHOD 101, COND. B (48 HOURS)

BAROMETRIC PRESSURE (ALTITUDE) \_\_\_\_\_ MIL-STD-202, METHOD 105, COND. C ( 70,000 FT. ) ( 190 VRMS )

## 5. MATERIAL

SMA BODY & COUPLING NUT \_\_\_\_\_ STAINLESS STEEL PER ASTM-A-582, TYPE 303, COND. A

SMP BODY, CONTACTS & RETAINING RING \_\_\_\_\_ BERYLLIUM COPPER PER ASTM-B-196-90, COPPER ALLOY  
No. UNS-C17300, TEMPER TD04.

INSULATORS \_\_\_\_\_ TEFLON PER ASTM-D-1710-02, TYPE 1, GRADE 1, CLASS B.

GASKET & O-RING \_\_\_\_\_ SILICONE RUBBER PER ZZ-R-765.

## 6. FINISH

SMA BODY \_\_\_\_\_ NICKEL PER QQ-N-290, CLASS 1  
(.000200 MIN. THK.) OVER NICKEL, WOODS OR WATTS  
(.000010 MIN. THK.)

COUPLING NUT \_\_\_\_\_ PASSIVATE PER AMS QQ-P-35, TYPE 2.

SMP BODY \_\_\_\_\_ GOLD PER ASTM-B-488, TYPE I, CODE C, CLASS 1.25  
(.000050 MIN. THK.) OVER NICKEL per QQ-N-290  
(.000150 MIN. THK.) OVER COPPER per MIL-C-14550  
(.000010 MIN. THK.)

CONTACTS \_\_\_\_\_ GOLD PER ASTM-B-488, TYPE I, CODE C, CLASS 2.5  
(.000100 MIN. THK.) OVER NICKEL per QQ-N-290  
(.000050 MIN. THK.) OVER COPPER per MIL-C-14550  
(.000010 MIN. THK.)

INSULATORS, O-RING, GASKET & RETAINING RING \_\_\_\_\_ N/A