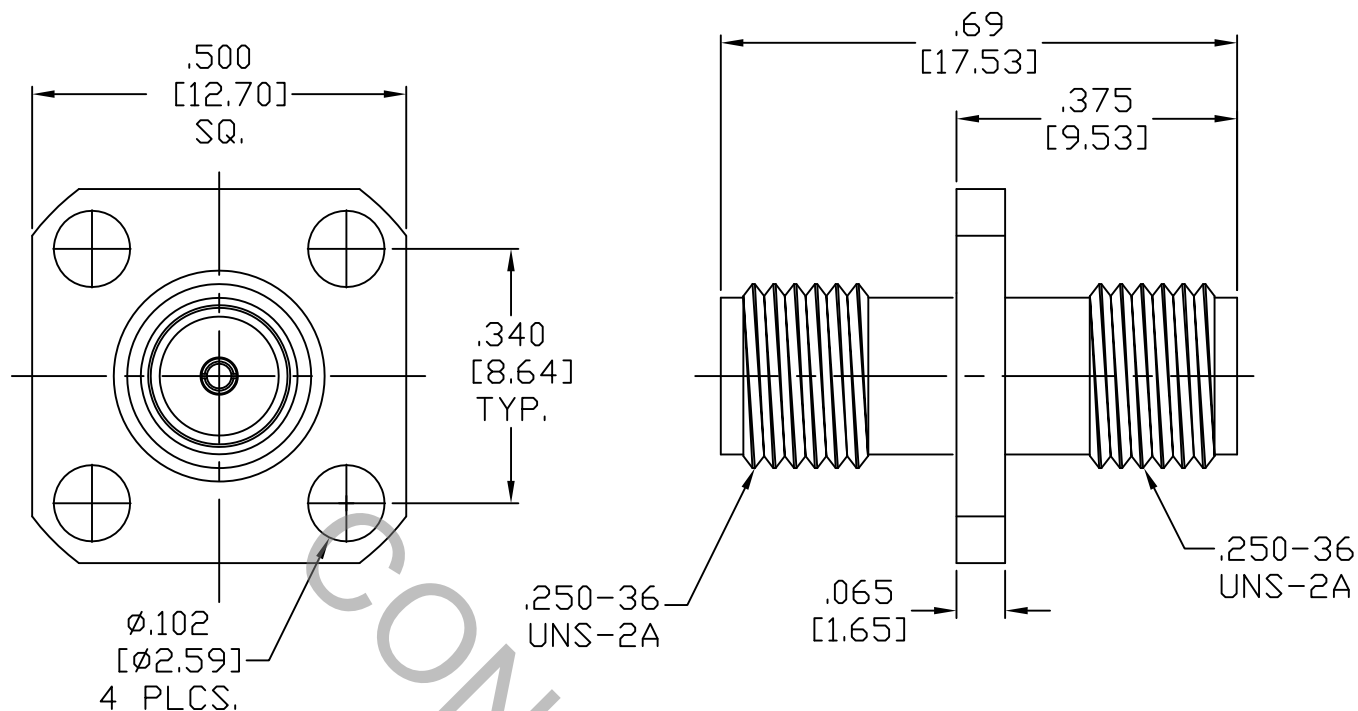


SPECIFICATION CONTROL DRAWING



1. MATING INTERFACE DIMENSIONS Per MIL-STD-348 Fig. 310.2 (SMA JACK).


2. ELECTRICAL

| | |
|---|---------------------|
| FREQUENCY RANGE GHz | DC TO 18.0 GHz |
| VSWR (MAX) * | 1.05 + .006 x √FGHz |
| INSERTION LOSS (dB MAX) * | .07 dB x FGHz |
| NOMINAL IMPEDANCE (OHMS) | 50 |
| VOLTAGE RATING (MAX. VRMS) | 333 |
| RF LEAKAGE (MIN. dB DOWN) | -100 dB - FGHz |
| TEMPERATURE RATING (DEGREES CENTIGRADE) | -65°C TO + 165°C |
| DIELECTRIC WITHSTANDING VOLTAGE (MAX. VRMS) | 1,000 |
| INSULATION RESISTANCE (MIN. MEGOHMS) | 10,000 |
| CONTACT RESISTANCE | |
| • CENTER CONTACT (MAX. MILLIOHMS) | 6.0 |
| • OUTER CONTACT (MAX. MILLIOHMS) | 2.0 |

* TERMINATED IN A 50 OHM LOAD

RoHS
COMPLIANT

This Document contains proprietary and confidential information.

| REV. | DCN NO. | DATE | APP. | DIMENSIONS ARE IN INCHES TOLERANCES | | |  HAVERHILL, MA 01835 |
|------|---------|---------|------|--|------------|-----------------------------|--|
| | | | | DECIMALS | FRACTIONAL | ANGULAR | |
| - | 1071 | 3/94 | GL | .X ± .030 .XX ± .010 .XXX ± .005 | ± 1/64 | X ° ± 1° 0' X ° X' ± 15' | |
| AA | 10-1858 | 9/15/10 | DC | | | | |
| AB | 13-2124 | 8/14/13 | TS | | | | |
| | | | | DRAWN | GL | DATE | 3/94 |
| | | | | APPROVED | DGG | DATE | 3/94 |
| | | | | CODE IDENT. | | | |
| | | | | 2J899 | | SHEET 1 OF 2 | |
| | | | | | | DWG. NO. | 1154-9999-6270 |
| | | | | | | TITLE | SMA JACK TO SMA JACK 4 HOLE FLANGE ADAPTER |

SPECIFICATION CONTROL DRAWING

3. MECHANICAL

CAPTIVATION-CENTER CONTACT

MAX AXIAL FORCE _____ 6.0 LBS.

MAX RADIAL TORQUE _____ N/A

CENTER CONTACT AXIAL FORCES

● INSERTION (MAX. OUNCES) _____ INTERFACE 32.0

● WITHDRAWAL (MIN. OUNCES) _____ INTERFACE 1.0

CONNECTOR ENGAGEMENT/DISENGAGEMENT (MAX. LBS.) _____ 2.0

CONNECTOR DURABILITY (MIN. CYCLES) _____ 500

RECOMMENDED MATING TORQUE _____ 7 - 10 IN. LBS.

4. ENVIRONMENTAL

TEMPERATURE CYCLING _____ MIL-STD-202, METHOD 102, COND. C (-65° c TO + 165° c)

SHOCK _____ MIL-STD-202, METHOD 213, COND. I (100 G's)

VIBRATION _____ MIL-STD-202, METHOD 204, COND. D (20 G's)

MOISTURE RESISTANCE _____ MIL-STD-202, METHOD 106, LESS STEP 7b

CORROSION _____ MIL-STD-202, METHOD 101, COND. B (48 HOURS)

BAROMETRIC PRESSURE (ALTITUDE) _____ MIL-STD-202, METHOD 105, COND. C (70,000 FT.) (310 VRMS)

5. MATERIAL

BODY _____ STAINLESS STEEL PER ASTM-A-582, TYPE 303, COND. A

CONTACT _____ BERYLLIUM COPPER PER ASTM-B-196/B, 196M-03, COPPER ALLOY No. UNS-C17300, TEMPER TD04.

INSULATOR _____ TEFLON PER ASTM-D-1710-02, TYPE 1, GRADE 1, CLASS B.

6. FINISH

BODY _____ PASSIVATE PER AMS 2700, TYPE 2, CLASS 4.

CONTACT _____ GOLD PER ASTM-B-488, TYPE I, CODE C, CLASS 1.27
(.000050 MIN. THK.) OVER NICKEL PER SAE AMS QQ-N-290, CLASS 1
(.000050 MIN. THK.) OVER COPPER PER AMS 2418 (.000010 MIN. THK.)

INSULATOR _____ N/A