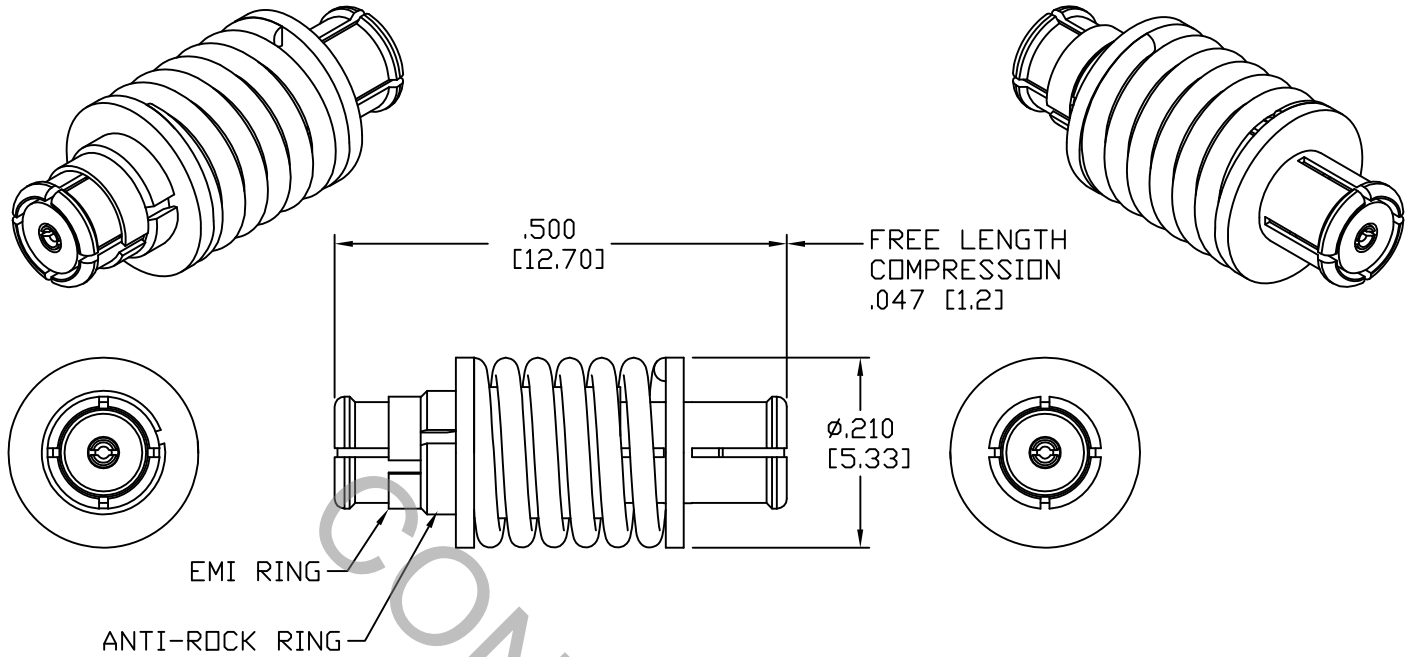


SPECIFICATION CONTROL DRAWING



1. MATING INTERFACE DIMENSIONS Per MIL-STD-348 Fig. 326.1 (SMP FEMALE).

2. ELECTRICAL

FREQUENCY RANGE GHz	_____	DC TO 18.0 GHz
VSWR (MAX.) *	_____	1.12 + .015 x FGHz
INSERTION LOSS (dB MAX.) *	_____	.15 dB x $\sqrt{\text{FGHz}}$
NOMINAL IMPEDANCE (OHMS)	_____	50
VOLTAGE RATING (MAX. VRMS)	_____	150
RF LEAKAGE (MIN. dB DOWN)	_____	-65 dB - FGHz
TEMPERATURE RATING (DEGREES CENTIGRADE)	_____	-65°C TO + 165°C
DIELECTRIC WITHSTANDING VOLTAGE (MAX. VRMS)	_____	450
INSULATION RESISTANCE (MIN. MEGOHMS)	_____	5,000
CONTACT RESISTANCE		
• CENTER CONTACT (MAX. MILLIOHMS)	_____	6.0
• OUTER CONTACT (MAX. MILLIOHMS)	_____	2.0

* TERMINATED IN A 50 OHM LOAD

RoHS
COMPLIANT

REV.	DCN NO.	DATE	APP.	DIMENSIONS ARE IN INCHES TOLERANCES			dynawave INCORPORATED HAVERHILL, MA 01835
				DECIMALS	FRACTIONAL	ANGULAR	
AA	11-1409	5/3/11	TS	.X ± .030 .XX ± .010 .XXX ± .005	±/64	X ° ± 1 0' X ° X' ± 15'	
AB	12-1029	1/9/12	DC				
				DRAWN TS	DATE 5/3/11	TITLE SMP FEMALE TO SMP FEMALE FLOATING ADAPTER	
				APPROVED DC	DATE 5/3/11		
				CODE IDENT. 2J899	SHEET 1 OF 2		
						DWG. NO. 1160-2020-5407	

SPECIFICATION CONTROL DRAWING

3. MECHANICAL

CAPTIVATION-CENTER CONTACT

MAX. AXIAL FORCE _____ 2.5 LBS.

MAX. RADIAL TORQUE _____ N/A

CENTER CONTACT AXIAL FORCES

● INSERTION (MAX. OUNCES) _____ INTERFACE 32.0

● WITHDRAWAL (MIN. OUNCES) _____ INTERFACE 1.0

CONNECTOR ENGAGEMENT (MAX. IN LBS.) _____ 15.0 FULL DETENT, 10.0 LIMITED DETENT, 2.0 SMOOTH BORE

CONNECTOR DISENGAGEMENT (MAX. IN LBS.) _____ 5.0 FULL DETENT, 2.0 LIMITED DETENT, 0.5 SMOOTH BORE

CONNECTOR DURABILITY (MIN. CYCLES) _____ 100 FULL DETENT, 500 LIMITED DETENT, 1,000 SMOOTH BORE

RECOMMENDED MATING PRELOAD _____ .025 (.975 O.A.L.)

CONNECTOR FLOAT _____ -.047 FROM FREE LENGTH SHOWN

CONNECTOR AXIAL SPRING FORCES

● INSTALLED (IN POUNDS) _____ 2.83 +/-10%

● @ .025 PRELOAD (IN POUNDS) _____ 3.09 +/-10%

● @ FULL COMPRESSION (IN POUNDS) _____ 3.35 +/-10%

4. ENVIRONMENTAL

TEMPERATURE CYCLING _____ MIL-STD-202, METHOD 102, COND. C (-65° c TO + 165° c)

SHOCK _____ MIL-STD-202, METHOD 213, COND. I (100 G's)

VIBRATION _____ MIL-STD-202, METHOD 204, COND. D (20 G's)

MOISTURE RESISTANCE _____ MIL-STD-202, METHOD 106, LESS STEP 7b

CORROSION _____ MIL-STD-202, METHOD 101, COND. B (48 HOURS)

BAROMETRIC PRESSURE (ALTITUDE) _____ MIL-STD-202, METHOD 105, COND. C (70,000 FT.) (110 VRMS)

5. MATERIAL

BODIES AND CONTACTS _____ BERYLLIUM COPPER PER ASTM-B-196/B, 196M-03, COPPER ALLOY No. UNS-C17300, TEMPER TD04.

SPRING _____ STAINLESS STEEL PER AMS 5688, TYPE 302, SPRING TEMPER

INSULATORS _____ TEFLON PER ASTM-D-1710-02, TYPE 1, GRADE 1, CLASS B..

6. FINISH

BODIES _____ GOLD PER ASTM-B-488, TYPE I, CODE C, CLASS 1.25
(.000050 MIN. THK.) OVER NICKEL PER SAE AMS QQ-N-290, CLASS 1
(.000150 MIN. THK.) OVER COPPER PER AMS 2418 (.000010 MIN. THK.)

CONTACTS _____ GOLD PER ASTM-B-488, TYPE I, CODE C, CLASS 1.27
(.000050 MIN. THK.) OVER NICKEL PER SAE AME QQ-N-290, CLASS 1
(.000050 MIN. THK.) OVER COPPER PER AMS 2418 (.000010 MIN. THK.)

INSULATORS & SPRING _____ N/A