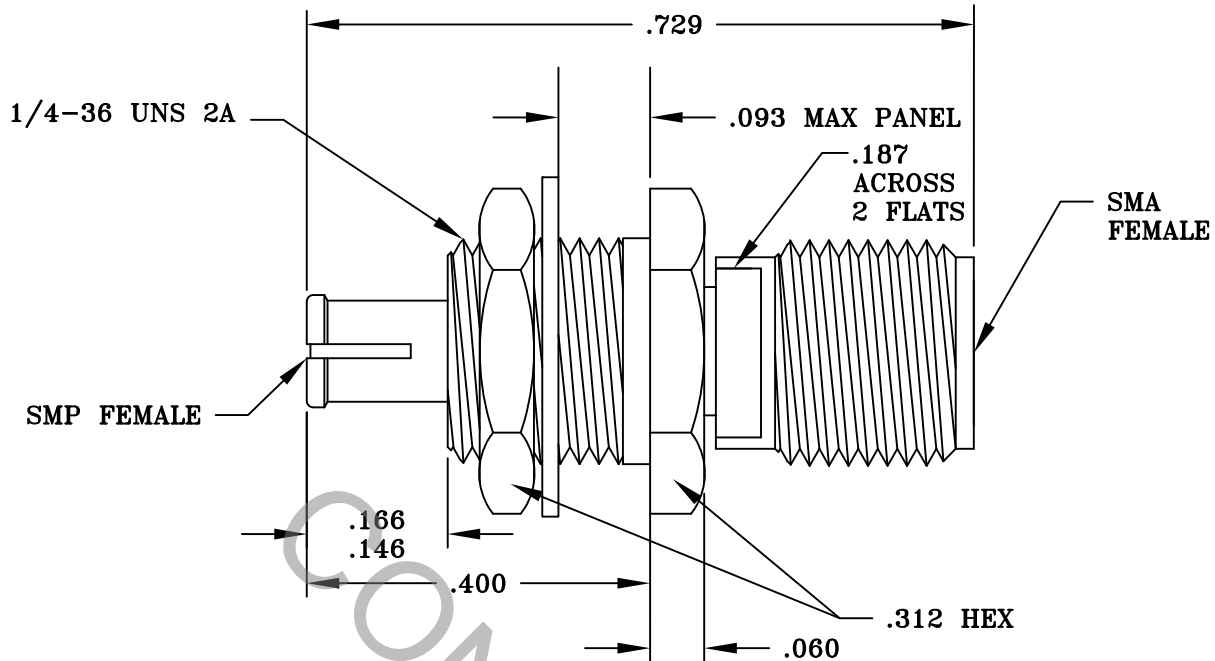


SPECIFICATION CONTROL DRAWING



1. MATING INTERFACE DIMENSIONS PER DYNAWAVE SPECIFICATION MD-20 , MD-99 AND MIL-STD 348.

2. ELECTRICAL

FREQUENCY RANGE GHz	DC TO 18.0 GHz.
VSWR (MAX.) *	1.05 + .007 x FGHz.
INSERTION LOSS (dB MAX.)	.040 dB x $\sqrt{\text{FGHz}}$.
NOMINAL IMPEDANCE (OHMS)	50
VOLTAGE RATING (MAX. VRMS)	250
RF LEAKAGE (MIN. dB DOWN)	N/A
TEMPERATURE RATING (DEGREES CENTIGRADE)	-65°c TO + 165°c
DIELECTRIC WITHSTANDING VOLTAGE (MAX. VRMS)	750
INSULATION RESISTANCE (MIN. MEGOHMS)	10,000
CONTACT RESISTANCE	
• CENTER CONTACT (MAX. MILLIOHMS)	10.0
• OUTER CONTACT (MAX. MILLIOHMS)	2.0

* GATED TEST DATA

RoHS
COMPLIANT

REV.	DCN NO.	DATE	APP.	DIMENSIONS ARE IN INCHES TOLERANCES			 INCORPORATED HAVERHILL, MA. 01835
AA	03-1923	7/22/03	BN	DECIMALS	FRACTIONAL	ANGULAR	
AB	03-1968	8/4/03	DC	.X ±.030 .XX ±.010 .XXX ±.005	±1/64	X° ± 1' 0" X° X' ±15'	TITLE SMP, FEMALE FLOAT THEADED PANEL MOUNT TO SMA FEMALE ADAPTER
BA	04-1741	6/9/04	MH	DRAWN BN	DATE 7/03/03		
BB	04-1746	6/10/04	MH	APPROVED BN	DATE 7/22/03		
				CODE IDENT. 2J899	SHEET 1 OF 2	DWG. NO. 1160-2099-5450	

SPECIFICATION CONTROL DRAWING

3. MECHANICAL

CAPTIVATION-CENTER CONTACT

- MIN. AXIAL FORCE _____ 6.0 LBS
- MIN. RADIAL TORQUE _____ N/A

CONNECTOR ENGAGEMENT FORCE

- INSERTION (MAX. LBS.) _____ 10.0 ●
- WITHDRAWAL (MIN. LBS.) _____ 2.0 ●

CONNECTOR DURABILITY (MIN. MATING) _____ 500 ●

- WHEN MATED WITH A LIMITED DETENT SHROUD PER MIL-STD-348 FIG 326.4

4. ENVIRONMENTAL

TEMPERATURE CYCLING _____ MIL-STD-202, METHOD 102, COND. C (-65 °c TO + 165 °c)
SHOCK _____ MIL-STD-202, METHOD 213, COND. I (100 G's)
VIBRATION _____ MIL-STD-202, METHOD 204, COND. D (20 G's)
MOISTURE RESISTANCE _____ MIL-STD-202, METHOD 106, LESS STEP 7b
CORROSION _____ MIL-STD-202, METHOD 101, COND. B (48 HOURS)
BAROMETRIC PRESSURE (ALTITUDE) _____ MIL-STD-202, METHOD 105, COND. C (70,000 FT.) (125 VRMS)

5. MATERIAL

FLOAT MOUNT BODY, RETAINING RING AND WASHER _____ STAINLESS STEEL PER ASTM A 581, TYPE 303, COND A.
SMA HOUSING

CONNECTOR BODY, CENTER CONTACT _____ BERYLLIUM COPPER PER ASTM B196-90, COPPER ALLOY
AND RETAINING RING No. UNS C17300, TEMPER TD04.

COMPRESSION SPRING _____ SPRING STEEL PER ASTM A684.

INSULATOR _____ TEFLON PER ASTM D 4894-91

INSULATOR _____ SILICONE RUBBER

6. FINISH

CONNECTOR BODY _____ GOLD PER MIL-G-45204, TYPE I, GRADE C, CLASS 1
OVER NICKEL PER QQ-N-290, CLASS 1.

CONTACT _____ GOLD PER MIL-G-45204, TYPE II, GRADE C, CLASS 2
(.000010 MIN.) OVER NICKEL PER QQ-N-290, CLASS 1
(.00010 MIN.) OVER COPPER PER MIL-C-14550 (.000010 MIN.)

RETAINING RING _____ NICKEL per QQ-N-290, CLASS 1 (.000200 MIN. THK.)
OVER COPPER per MIL-C-14550 (.000010 MIN. THK.)

FLOAT MOUNT BODY, RETAINING RING AND WASHER _____ PASSIVATE PER QQ-C-35C, TYPE VI.
SMA HOUSING

COMPRESSION SPRING _____ NICKEL PER MIL-C-26074, CLASS 1

INSULATOR & GASKET _____ N/A