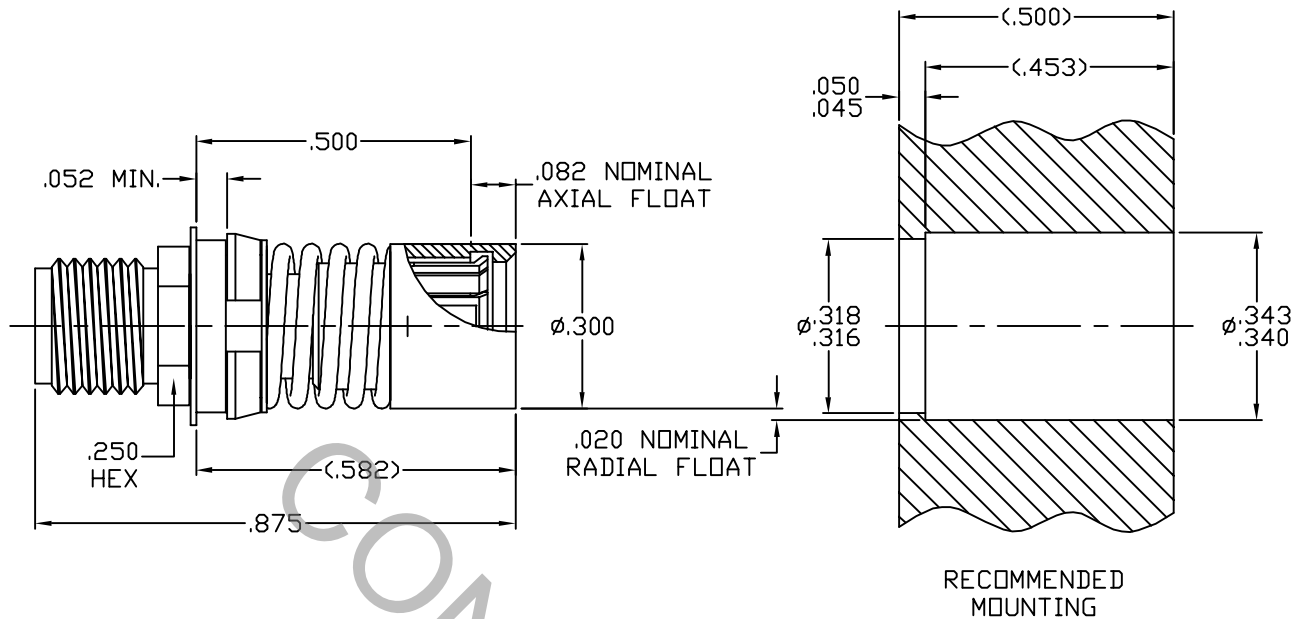


SPECIFICATION CONTROL DRAWING



1. MATING INTERFACE DIMENSIONS PER MIL-STD-348 Fig. (321.2) AND DYNAWAVE MD-67 (BMA JACK) AND MIL-STD-348 Fig. 310.2 (SMA JACK)

2. ELECTRICAL

FREQUENCY RANGE GHz	_____	DC TO 18.0 GHz.
VSWR (MAX.) *	_____	1.05 + .005 x FGHz.
INSERTION LOSS: (dB MAX.)	_____	.060 dB x $\sqrt{\text{FGHz}}$.
NOMINAL IMPEDANCE (OHMS)	_____	50
VOLTAGE RATING (MAX. VRMS)	_____	300
RF LEAKAGE (MIN. dB DOWN)	_____	-60 dB - FGHz
TEMPERATURE RATING (DEGREES CENTIGRADE)	_____	-65° c TO + 125° c
DIELECTRIC WITHSTANDING VOLTAGE (MAX. VRMS)	_____	1,000
INSULATION RESISTANCE (MIN. MEGOHMS)	_____	5,000
CONTACT RESISTANCE		
● CENTER CONTACT (MAX. MILLIOHMS)	_____	4.0
● OUTER CONTACT (MAX. MILLIOHMS)	_____	2.0

* TERMINATED IN A 50 OHM LOAD

REV.	DCN NO.	DATE	APP.	DIMENSIONS ARE IN INCHES TOLERANCES			 <small>INCORPORATED</small> HAVERHILL, MA. 01835	
AA	07-1397	4/12/07	DC	DECIMALS	FRACTIONAL	ANGULAR		
				.X [±] .030 .XX [±] .010 .XXX [±] .005	± 1/64	X° ± 1° 0' X° X' ± 15'	TITLE BMA JACK, FLOATING PANEL FEEDTHRU, REAR MOUNT TO SMA JACK ADAPTER	
				DRAWN	DC	DATE		4/12/07
				APPROVED	DC	DATE		4/12/07
				CODE IDENT.	SHEET 1 OF 2		DWG. NO.	1160-6799-6255
				2J899				

SPECIFICATION CONTROL DRAWING

3. MECHANICAL

CAPTIVATION-CENTER CONTACT

- MIN. AXIAL FORCE _____ 4.0 LBS.
- MIN. RADIAL TORQUE _____ N/A

CENTER CONTACT AXIAL FORCES

- INSERTION (MAX. OUNCES) _____ INTERFACE 32.0
- WITHDRAWAL (MIN. OUNCES) _____ INTERFACE 2.0

CONNECTOR DURABILITY (MIN. CYCLES) _____ 500

4. ENVIRONMENTAL

TEMPERATURE CYCLING _____ MIL-STD-202, METHOD 102, COND. C (-65° c TO + 165° c)

SHOCK _____ MIL-STD-202, METHOD 213, COND. I (100 G's)

VIBRATION _____ MIL-STD-202, METHOD 204, COND. D (20 G's)

MOISTURE RESISTANCE _____ MIL-STD-202, METHOD 106, LESS STEP 7b

CORROSION _____ MIL-STD-202, METHOD 101, COND. B (48 HOURS)

BAROMETRIC PRESSURE (ALTITUDE) _____ MIL-STD-202, METHOD 105, COND. C (70,000 FT.) (190 VRMS)

5. MATERIAL

CONNECTOR BODY _____ STAINLESS STEEL PER ASTM-A-582, TYPE 303, COND. A

SPRING _____ STAINLESS STEEL PER ASTM-A-313 OR AMS 5688, TYPE 302, SPRING TEMPER

CENTER CONTACT & SPRING FINGERS _____ BERYLLIUM COPPER PER ASTM-B-196, COPPER ALLOY
UNS-C-17800, TEMPER TD04

INSULATOR _____ TEFLON PER ASTM-D-1710

CENTER CONTACT HOOD _____ BRASS PER ASTM B16, TEMPER H02, ALLOY C36000.

6. FINISH

CONNECTOR BODY _____ GOLD PER ASTM-B-488, TYPE I, CODE C, CLASS 1.25
(.000050 MIN. THK.) OVER NICKEL PER QQ-N-290
(.000150 MIN. THK.) OVER WOODS OR WATT'S NICKEL
(.000010 MIN. THK.)

SPRING _____ PASSIVATE PER AMS QQ-P-35, TYPE 2

CENTER CONTACT ASSY & SPRING FINGERS _____ GOLD PER ASTM-B-488, TYPE I, CODE C, CLASS 2.5
(.000100 MIN. THK.) OVER NICKEL PER QQ-N-290
(.000050 MIN. THK.) OVER COPPER PER MIL-C-14550
(.000010 MIN. THK.)

INSULATOR _____ N/A