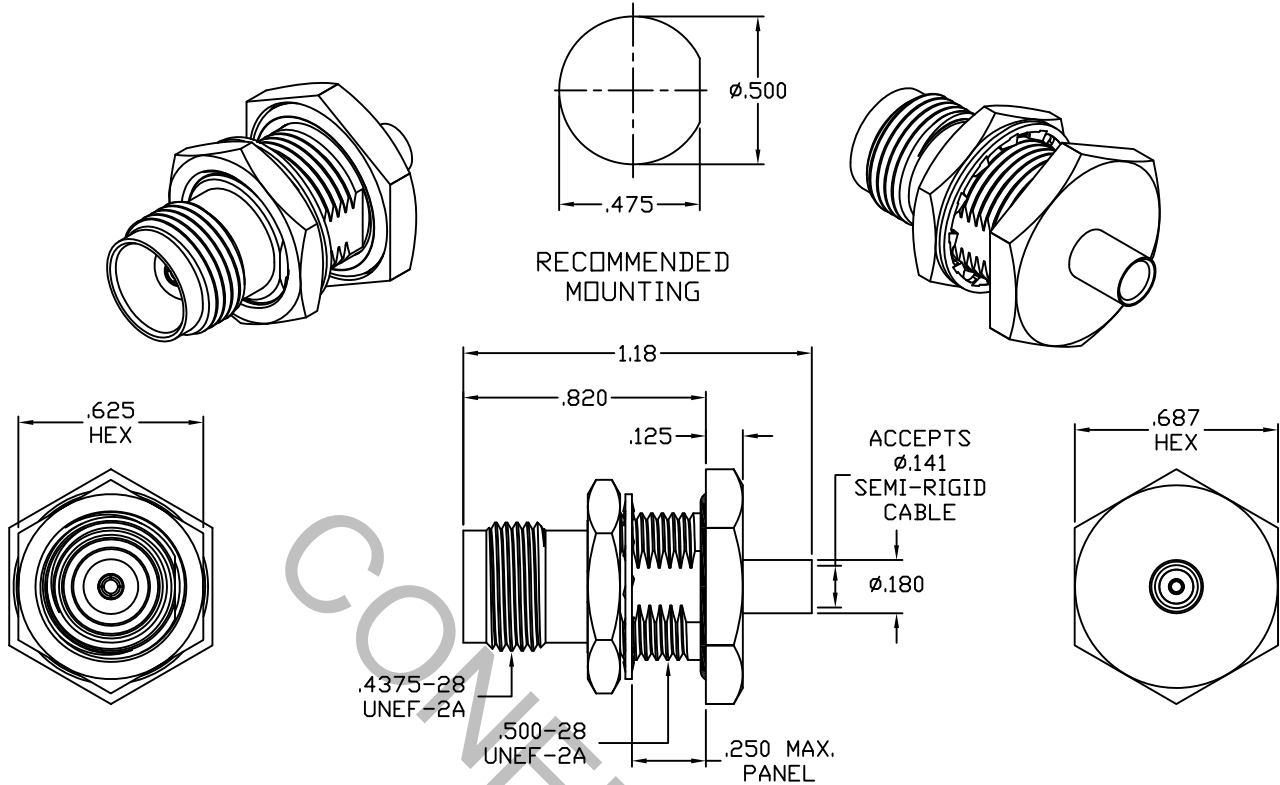


# SPECIFICATION CONTROL DRAWING



1. MATING INTERFACE DIMENSIONS Per MIL-STD-348 Fig. 313.2 (KTNC JACK).


## 2. ELECTRICAL

FREQUENCY RANGE GHz	_____	DC TO 18.0 GHz
VSWR (MAX) *	_____	1.07 + .007 x FGHz
INSERTION LOSS (dB MAX) *	_____	.05 dB x $\sqrt{\text{FGHz}}$
NOMINAL IMPEDANCE (OHMS)	_____	50
VOLTAGE RATING (MAX. VRMS)	_____	333
RF LEAKAGE (MIN. dB DOWN)	_____	-100 dB - FGHz
TEMPERATURE RATING (DEGREES CENTIGRADE)	_____	-65°C TO + 165°C
DIELECTRIC WITHSTANDING VOLTAGE (MAX. VRMS)	_____	1,000
INSULATION RESISTANCE (MIN. MEGOHMS)	_____	5,000
CONTACT RESISTANCE		
• CENTER CONTACT (MAX. MILLIOHMS)	_____	1.5
• OUTER CONTACT (MAX. MILLIOHMS)	_____	2.0

\* TERMINATED IN A 50 OHM LOAD

This Document contains proprietary and confidential information.

**RoHS**  
COMPLIANT

REV.	DCN NO.	DATE	APP.	DIMENSIONS ARE IN INCHES TOLERANCES			 HAVERHILL, MA 01835
AA	16-2431	11/21/16	DC	DECIMALS	FRACTIONAL	ANGULAR	
				.X ± .030	± 1/64	X ° ± 1° 0'	TITLE KTNC JACK, BULKHEAD, SOLDER CLAMP, PLUG-IN CONTACT, Ø.141 CABLE
				.XX ± .010		X ° X' ± 15'	
				.XXX ± .005			
				DRAWN RMS	DATE	11/18/16	DWG. NO. 8510-4125-2100
				APPROVED DC	DATE	11/21/16	
				CODE IDENT.	SHEET 1 OF 2		
				2J899			

# SPECIFICATION CONTROL DRAWING

## 3. MECHANICAL

CAPTIVATION-CENTER CONTACT  
 MAX AXIAL FORCE \_\_\_\_\_ 6.0 LBS.  
 MAX RADIAL TORQUE \_\_\_\_\_ N/A  
 CENTER CONTACT AXIAL FORCES  
 ● INSERTION (MAX. OUNCES) \_\_\_\_\_ INTERFACE 32.0  
 ● WITHDRAWAL (MIN. OUNCES) \_\_\_\_\_ INTERFACE 2.0  
 CONNECTOR ENGAGEMENT/DISENGAGEMENT (MAX. LBS.) \_\_\_\_\_ 2.0  
 CONNECTOR DURABILITY (MIN. CYCLES) \_\_\_\_\_ 500  
 RECOMMENDED MATING TORQUE \_\_\_\_\_ 10 - 15 IN. LBS.  
 RECOMMENDED MOUNTING TORQUE \_\_\_\_\_ 25 - 28 IN. LBS.

## 4. ENVIRONMENTAL

THERMAL SHOCK \_\_\_\_\_ MIL-STD-202, METHOD 107, COND. B ( -65° c TO + 165° c )  
 SHOCK \_\_\_\_\_ MIL-STD-202, METHOD 213, COND. I (100 G's)  
 VIBRATION \_\_\_\_\_ MIL-STD-202, METHOD 204, COND. D (20 G's)  
 MOISTURE RESISTANCE \_\_\_\_\_ MIL-STD-202, METHOD 106, LESS STEP 7b  
 CORROSION \_\_\_\_\_ MIL-STD-202, METHOD 101, COND. B (48 HOURS)  
 BAROMETRIC PRESSURE (ALTITUDE) \_\_\_\_\_ MIL-STD-202, METHOD 105, COND. C ( 70,000 FT. ) ( 250 VRMS )

## 5. MATERIAL

BODY, HEX NUT & PRESS RING \_\_\_\_\_ BRASS PER ASTM-B-16, TEMPER H02, ALLOY C36000.  
 CONTACT \_\_\_\_\_ BERYLLIUM COPPER PER ASTM-B-196/B, 196M-03, COPPER  
 ALLOY No. UNS-C17300, TEMPER TD04.  
 INSULATORS \_\_\_\_\_ TEFLON PER ASTM-D-1710-02, TYPE 1, GRADE 1, CLASS B.  
 O-RING \_\_\_\_\_ SILICONE RUBBER PER ZZ-R-765.  
 LOCKWASHER \_\_\_\_\_ BRONZE

## 6. FINISH

BODY, HEX NUT, PRESS RING & LOCKWASHER \_\_\_\_\_ TRI-METAL ALLOY COMPRISED OF 55%-60% COPPER,  
 25%-28% TIN, 14%-18% ZINC.  
 PLATING THICKNESS: .0001-.0002 THK.  
 CONTACT \_\_\_\_\_ GOLD PER ASTM-B-488, TYPE I, CODE C, CLASS 1.27  
 (.000050 MIN. THK.) OVER NICKEL per SAE-AMS-QQ-N-290,  
 CLASS 1 (.000050 MIN. THK.) OVER COPPER per AMS-2418  
 (.000010 MIN. THK.)  
 INSULATORS, O-RING \_\_\_\_\_ N/A