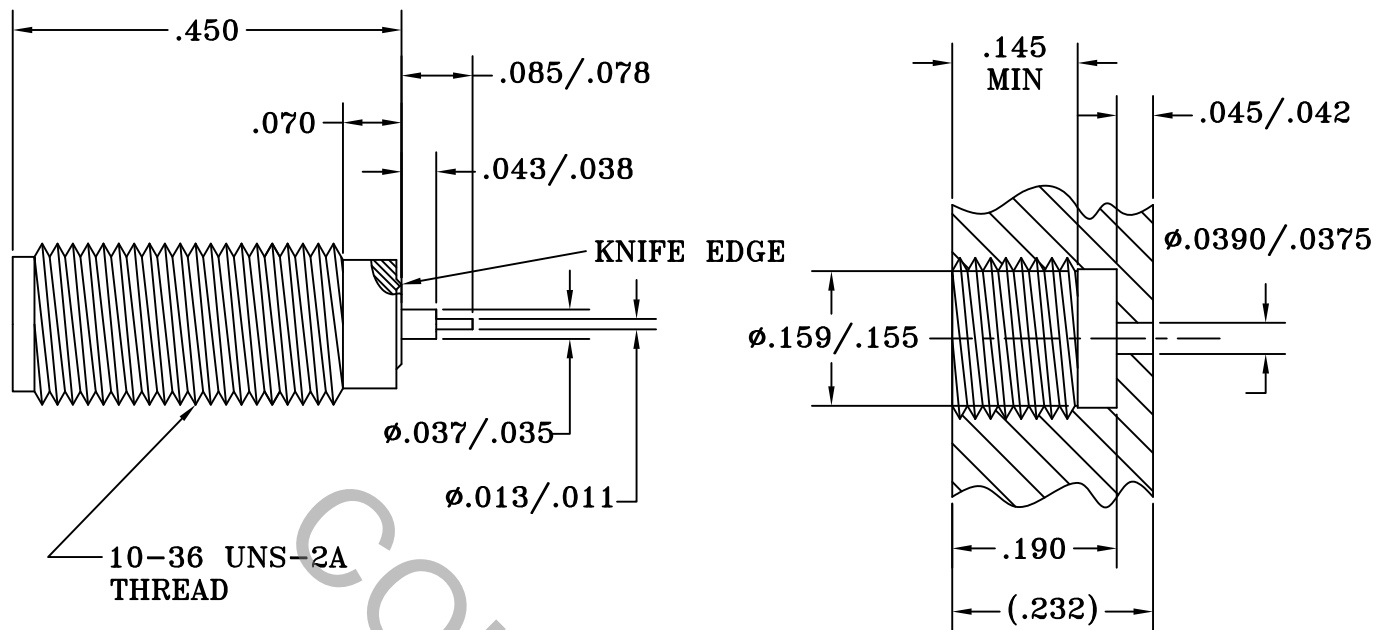


# SPECIFICATION CONTROL DRAWING



\* NADCAP PLATING ONLY

1. MATING INTERFACE DIMENSIONS PER MIL-STD-348A FIG. 319.2 (SSMA, JACK)

2. ELECTRICAL

FREQUENCY RANGE GHz	DC TO 38 GHz
VSWR (MAX) *	1.05 + .006 x FGHz.
INSERTION LOSS (dB MAX) *	.050 dB x $\sqrt{\text{FGHz}}$ .
NOMINAL IMPEDANCE (OHMS)	50
VOLTAGE RATING (MAX. VRMS)	250
RF LEAKAGE (MIN. dB DOWN)	100 dB - FGHz
TEMPERATURE RATING (DEGREES CENTIGRADE)	-65 ° c TO +165 ° c
DIELECTRIC WITHSTANDING VOLTAGE (MAX. VRMS)	750
INSULATION RESISTANCE (MIN. MEGOHMS)	5000
CONTACT RESISTANCE	
• CENTER CONTACT (MAX. MILLIOHMS)	15.0
• OUTER CONTACT (MAX. MILLIOHMS)	2.0

\* TERMINATED IN A 50 OHM LOAD

**RoHS**  
COMPLIANT

REV.	DCN NO.	DATE	APP.	DIMENSIONS ARE IN INCHES TOLERANCES			 HAVERHILL MA 01835	
AA	11-1370	4/21/11	TS	DECIMALS	FRACTIONAL	ANGULAR		
				.X ± .030 .XX ± .010 .XXX ± .005	±/64	X ° ± 1' 0" X ° X' ± 15'		
				SURFACE ROUGHNESS 63 $\sqrt{\text{MIL-STD 10}}$ .				
				DRAWN	SS	DATE	4/21/11	TITLE SSMA JACK HERMETICALLY SEALED SPARK PLUG
				APPROVED	TS	DATE	4/21/11	
				CODE IDENT.	SHEET 1 OF 2		DWG. NO.	9330-0431-6402
				2J899				

# SPECIFICATION CONTROL DRAWING

## 3. MECHANICAL

### CAPTIVATION-CENTER CONTACT

- MIN. AXIAL FORCE \_\_\_\_\_ 4.5 LBS
- MIN. RADIAL TORQUE \_\_\_\_\_ 1.5 IN OZ

### CONNECTOR ENGAGEMENT FORCES

- INSERTION (MAX. LBS.) \_\_\_\_\_ 48.0 (INTERFACE)
- WITHDRAWAL (MIN. LBS.) \_\_\_\_\_ 2.0 (INTERFACE)

CONNECTOR DURABILITY (MIN. MATING) \_\_\_\_\_ 500

### RECOMMENDED TORQUE

- INTERFACE \_\_\_\_\_ 6-8 IN-LB
- PACKAGE \_\_\_\_\_ 17 - 20 IN-LB

## 4. ENVIRONMENTAL

TEMPERATURE CYCLING \_\_\_\_\_ MIL-STD-202, METHOD 102, COND. C ( -85 ° c TO + 165 ° c )  
SHOCK \_\_\_\_\_ MIL-STD-202, METHOD 213, COND. I (100 G's)  
VIBRATION (HIGH FREQUENCY) \_\_\_\_\_ MIL-STD-202, METHOD 204, COND. D (20 G's)  
VIBRATION (RANDOM) \_\_\_\_\_ MIL-STD-202, METHOD 214, TEST COND. F.  
THERMAL SHOCK \_\_\_\_\_ MIL-STD-202, METHOD 107, TEST COND. B, HIGH TEMP. +165° c.  
MOISTURE RESISTANCE \_\_\_\_\_ MIL-STD-202, METHOD 106, LESS STEP 7b, 1000 MEGOHMS (5 MINUTES).  
CORROSION \_\_\_\_\_ MIL-STD-202, METHOD 101, COND. B (48 HOURS)  
BAROMETRIC PRESSURE (ALTITUDE) \_\_\_\_\_ MIL-STD-202, METHOD 105, COND. C ( 70,000 FT. ) ( 375 VRMS MIN.)  
HERMETICITY \_\_\_\_\_ 1 X 10<sup>-8</sup> cc/SEC He

## 5. MATERIAL

CONNECTOR BODY \_\_\_\_\_ STAINLESS STEEL PER ASTM-A-582, TYPE 303, COND. A  
CENTER CONTACT \_\_\_\_\_ BERYLLIUM COPPER PER ASTM-B-196/B, 196M-03, COPPER ALLOY No. UNS-C17300, TEMPER TD04.  
INSULATOR \_\_\_\_\_ TEFLON PER ASTM-D-1710-02, TYPE 1, GRADE 1, CLASS B.  
GLASS \_\_\_\_\_ DOW CORNING 7052  
GLASS PIN \_\_\_\_\_ KOVAR PER MIL-I-23011

## 6. FINISH

CONNECTOR BODY (NADCAP) \_\_\_\_\_ GOLD PER ASTM B 488 TYPE I, CODE C, CLASS 1.25  
(.000050/.000100 THK.) OVER NICKEL PER SAE-AMS-QQ-N-290,  
CLASS 1 (.000050/.000100 THK.) OVER NICKEL (WOODS OR WATTS),  
(.000010 MIN.THK.).  
CENTER CONTACT (NADCAP) \_\_\_\_\_ GOLD PER ASTM-B-488, TYPE I, CODE C, CLASS 1.27  
(.000050 MIN. THK.) OVER NICKEL PER SAE-AMS-QQ-N-290  
CLASS 1 (.000050 MIN. THK.) OVER COPPER PER AMS-2418  
(.000010 MIN. THK.).  
INSULATOR & GLASS \_\_\_\_\_ N/A