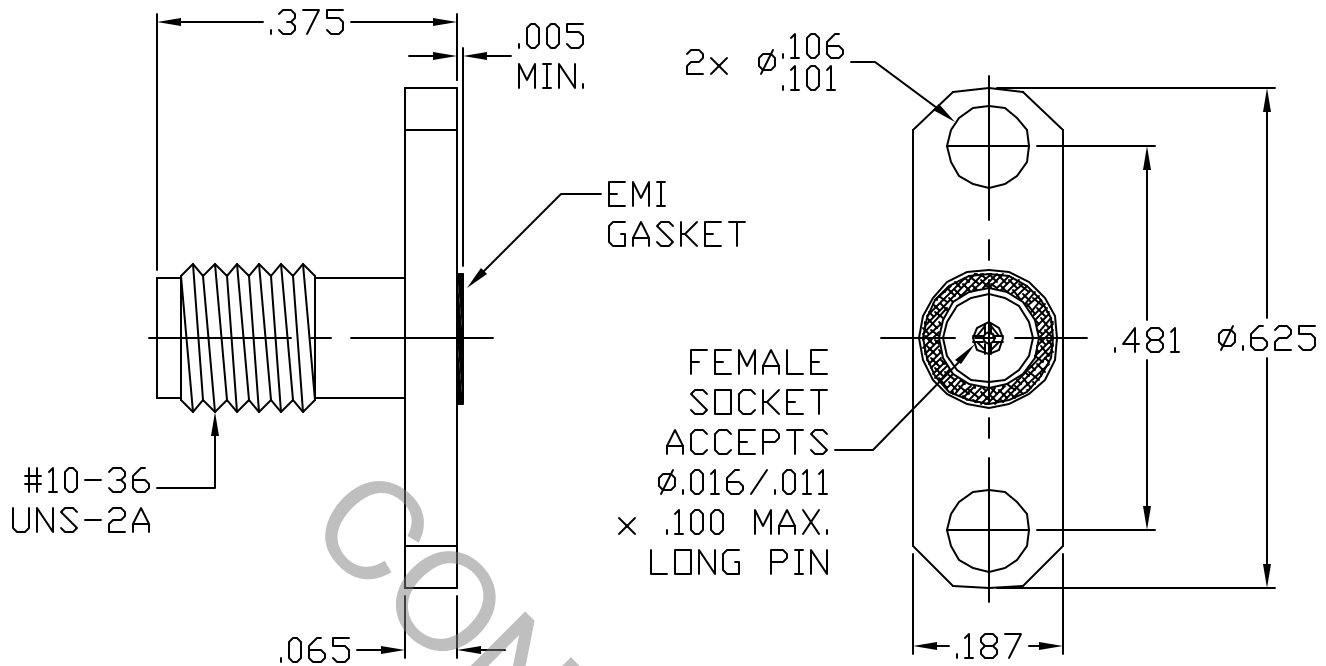


SPECIFICATION CONTROL DRAWING




1. MATING INTERFACE DIMENSIONS MIL-STD-348 Fig. 319.2 (SSMA JACK).

2. ELECTRICAL

FREQUENCY RANGE GHz	DC TO 38.0 GHz
VSWR (MAX.) *	1.05 + .008 x FGHz
INSERTION LOSS (dB MAX.) *	.030 dB x $\sqrt{\text{FGHz}}$
NOMINAL IMPEDANCE (OHMS)	50
VOLTAGE RATING (MAX VRMS)	250
RF LEAKAGE (MIN. dB DOWN)	-100 dB - FGHz
TEMPERATURE RATING (DEGREES CENTIGRADE)	-65°C TO + 165°C
DIELECTRIC WITHSTANDING VOLTAGE (MAX VRMS)	750
INSULATION RESISTANCE (MIN. MEGOHMS)	10,000
CONTACT RESISTANCE	
• CENTER CONTACT (MAX. MILLIOHMS)	6.0
• OUTER CONTACT (MAX. MILLIOHMS)	2.0

* TERMINATED IN A 50 OHM LOAD

REV.	DCN NO.	DATE	APP.	DIMENSIONS ARE IN INCHES TOLERANCES			 HAVERHILL, MA 01835
				DECIMALS	FRACTIONAL	ANGULAR	
-	756	6/90	DGG	.X ± .030 .XX ± .010 .XXX ± .005	±1/84	X° ± 1' 0" X° X' ± 15'	
AA	05-2020	10/7/05	DC				
				DRAWN CDM	DATE	6/90	TITLE SSMA, JACK 2 HOLE FLANGE FIELD REPLACEABLE EMI GASKET
				APPROVED DGG	DATE	6/90	
				CODE IDENT.	SHEET 1 OF 2		DWG. NO. 9352-0781-6215
				2J899			

SPECIFICATION CONTROL DRAWING

3. MECHANICAL

CAPTIVATION-CENTER CONTACT
 MAX AXIAL FORCE _____ 4.5 LBS.
 MAX RADIAL TORQUE _____ N/A
 CENTER CONTACT AXIAL FORCES
 ● INSERTION (MAX. OUNCES) _____ INTERFACE 32.0, REAR 32.0
 ● WITHDRAWAL (MIN. OUNCES) _____ INTERFACE 1.0, REAR 1.0
 CONNECTOR ENGAGEMENT/DISENGAGEMENT (MAX. IN. LBS.) — 2.0
 CONNECTOR DURABILITY (MIN. CYCLES) _____ 500
 RECOMMENDED MATING TORQUE _____ 5 - 8 IN. LBS.

4. ENVIRONMENTAL

TEMPERATURE CYCLING _____ MIL-STD-202, METHOD 102, COND. C (-85° c TO +200° c)
 SHOCK _____ MIL-STD-202, METHOD 213, COND. I (100 G's)
 VIBRATION _____ MIL-STD-202, METHOD 204, COND. D (20 G's)
 MOISTURE RESISTANCE _____ MIL-STD-202, METHOD 106, LESS STEP 7b
 CORROSION _____ MIL-STD-202, METHOD 101, COND. B (48 HOURS)
 BAROMETRIC PRESSURE (ALTITUDE) — MIL-STD-202, METHOD 105, COND. C (70,000 FT.) (190 VRMS)

5. MATERIAL

BODY _____ STAINLESS STEEL PER AMS 5640, TYPE 303, COND. A
 CONTACT _____ BERYLLIUM COPPER PER ASTM B198-90, COPPER ALLOY
 No. UNS-C17300, TEMPER T004.
 INSULATOR _____ TEFLON PER ASTM D 4894-91.
 EMI GASKET _____ SILVER PLATED ALUMINUM IN SILICONE

6. FINISH

BODY _____ PASSIVATED PER AMS QQ-P-35, TYPE 2
 CONTACT _____ GOLD PER ASTM B 488, TYPE II, CODE C, CLASS 2.5
 (.000100 MIN. THK.) OVER NICKEL per QQ-N-290
 (.000050 MIN. THK.) OVER COPPER per MIL-C-14550
 (.000010 MIN. THK.)
 INSULATOR & EMI GASKET _____ N/A