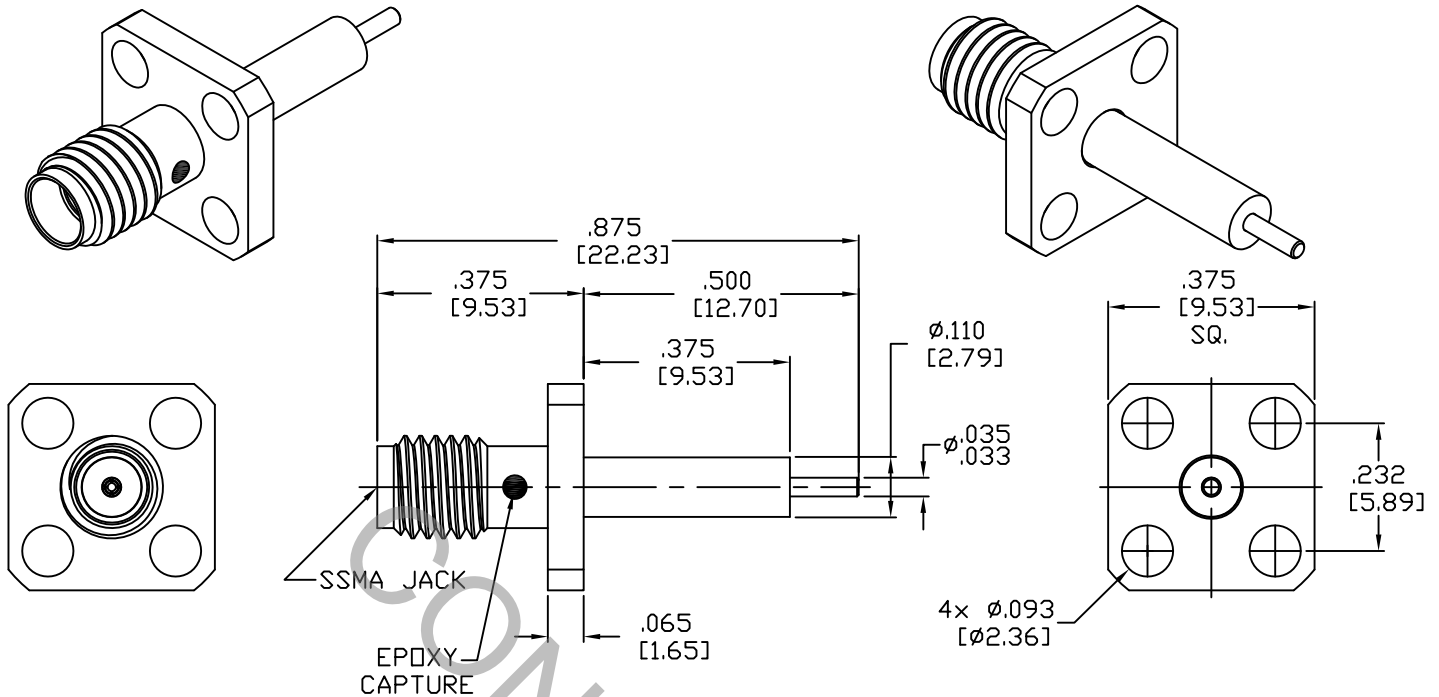


SPECIFICATION CONTROL DRAWING



1. MATING INTERFACE DIMENSIONS FOR SSMA JACK per MIL-STD-348A Fig. 319.2


2. ELECTRICAL

FREQUENCY RANGE GHz	_____	DC TO 38.0 GHz
VSWR (MAX.) *	_____	1.10 + .008 x FGHz
INSERTION LOSS (dB MAX.) *	_____	.045 dB x $\sqrt{\text{FGHz}}$
NOMINAL IMPEDANCE (OHMS)	_____	50
VOLTAGE RATING (MAX. VRMS)	_____	250
RF LEAKAGE (MIN. dB DOWN)	_____	90 dB - FGHz
TEMPERATURE RATING (DEGREES CENTIGRADE)	_____	-65° c TO + 165° c
DIELECTRIC WITHSTANDING VOLTAGE (MAX. VRMS)	_____	750
INSULATION RESISTANCE (MIN. MEGOHMS)	_____	10,000
CONTACT RESISTANCE		
• CENTER CONTACT (MAX. MILLIOHMS)	_____	6.0
• OUTER CONTACT (MAX. MILLIOHMS)	_____	2.0

* TERMINATED IN A 50 OHM LOAD

This Document contains proprietary and confidential information.

RoHS
COMPLIANT

REV.	DCN NO.	DATE	APP.	DIMENSIONS ARE IN INCHES TOLERANCES			 HAVERHILL, MA. 01835
AA	09-1362	4/28/09	TS	DECIMALS	FRACTIONAL	ANGULAR	
AB	15-2012	7/21/15	DC	.X ± .030 .XX ± .010 .XXX ± .005	±/64	X° ± 1° X° X' ± 15'	
				DRAWN TS	DATE 4/28/09	TITLE SSMA, JACK 4 HOLE FLANGE STRAIGHT TERMINAL	
				APPROVED DC	DATE 4/28/09		
				CODE IDENT. 2J899	SHEET 1 OF 2	DWG. NO. 9354-0032-6202	

SPECIFICATION CONTROL DRAWING

3. MECHANICAL

CAPTIVATION-CENTER CONTACT

- MIN. AXIAL FORCE _____ 6.0 LBS.
- MIN. RADIAL TORQUE _____ 4.0 IN. OZS.

CENTER CONTACT AXIAL FORCES

- INSERTION (MAX. OUNCES) _____ 48.0
- WITHDRAWAL (MIN. OUNCES) _____ 2.0

CONNECTOR ENGAGEMENT/DISENGAGEMENT (MAX. IN. LBS.) _____ 2.0

CONNECTOR DURABILITY (MIN. CYCLES) _____ 500

RECOMMENDED MATING TORQUE _____ 6 - 8 IN. LBS.

4. ENVIRONMENTAL

TEMPERATURE CYCLING _____ MIL-STD-202, METHOD 102, COND. C (-65 ° c TO + 200 ° c)

SHOCK _____ MIL-STD-202, METHOD 213, COND. I (100 G's)

VIBRATION _____ MIL-STD-202, METHOD 204, COND. D (20 G's)

MOISTURE RESISTANCE _____ MIL-STD-202, METHOD 106, LESS STEP 7b

CORROSION _____ MIL-STD-202, METHOD 101, COND. B (48 HOURS)

BAROMETRIC PRESSURE (ALTITUDE) _____ MIL-STD-202, METHOD 105, COND. C (70,000 FT.) (190 VRMS)

5. MATERIAL

BODY _____ STAINLESS STEEL PER ASTM 582, TYPE 303, COND. A.

CONTACT _____ BERYLLIUM COPPER PER ASTM B196/B, 196M, COPPER ALLOY No. C17300, TEMPER TD04.

INSULATOR _____ TEFLON PER ASTM D 1710-02, TYPE 1, GRADE 1, CLASS B.

6. FINISH

BODY _____ PASSIVATE PER AMS-2700. TYPE 2, CLASS 4.

CONTACT _____ GOLD PER ASTM B 488, TYPE I, CODE C, CLASS 1.27 (.000050 MIN. THK.) OVER NICKEL PER SAE-AMS-QQ-N-290 CLASS 1 (.000050 MIN. THK.) OVER COPPER PER AMS-2418 (.000010 MIN. THK.).

INSULATOR _____ N/A