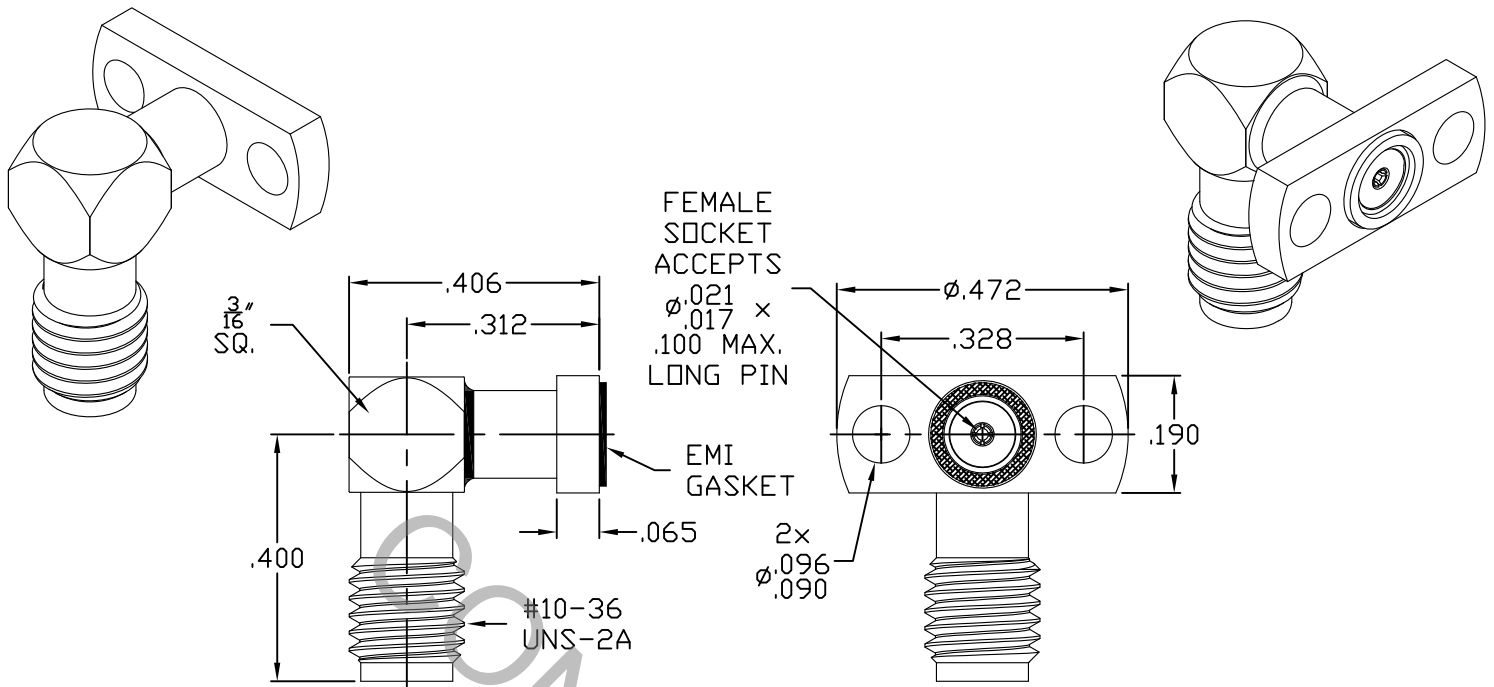


# SPECIFICATION CONTROL DRAWING



1. MATING INTERFACE DIMENSIONS FOR SSMA, JACK PER MIL-STD-348 (Fig. 319-2).

## 2. ELECTRICAL

FREQUENCY RANGE	DC - 26.5 GHz.
VSWR (MAX.)	1.35 + .010 x FGHz.
INSERTION LOSS (dB MAX.) *	.080 dB x $\sqrt{\text{FGHz}}$ .
NOMINAL IMPEDANCE (OHMS)	50
VOLTAGE RATING (MAX. VRMS)	250
RF LEAKAGE (MIN. dB DOWN)	-100 dB - FGHz.
TEMPERATURE RATING (DEGREES CENTIGRADE)	-65 ° c TO +165 ° c
DIELECTRIC WITHSTANDING VOLTAGE (MAX. VRMS)	750
INSULATION RESISTANCE (MIN. MEGOHMS)	5,000
CONTACT RESISTANCE	
• CENTER CONTACT (MAX. MILLIOHMS)	6.0
• OUTER CONTACT (MAX. MILLIOHMS)	2.0

\* TERMINATED IN A 50 OHM LOAD

**RoHS**  
COMPLIANT

This Document contains proprietary and confidential information.

REV.	DCN NO.	DATE	APP.	DIMENSIONS ARE IN INCHES TOLERANCES			 Haverhill MA 01835
				DECIMALS	FRACTIONAL	ANGULAR	
-	790	2/91	DGG	.X ± .030 .XX ± .010 .XXX ± .005	± 1/64	X ° ± 1' 0" X ° X' ± 15"	TITLE SSMA JACK, RIGHT ANGLE, 2 HOLE FLANGE FIELD REPLACEABLE
A	792	3/91	DGG	SURFACE ROUGHNESS 63 $\sqrt{\text{MIL-STD 10}}$ .			
BA	13-1958	7/15/13	DC	DRAWN	CDM	DATE	2/91
CA	13-2108	8/14/13	DC	APPROVED	DGG	DATE	2/91
				CODE IDENT.	SHEET 1 OF 2		DWG. NO.
				2J899			9356-0781-6220

# SPECIFICATION CONTROL DRAWING

## 3. MECHANICAL

### CAPTIVATION-CENTER CONTACT

- MAX. AXIAL FORCE \_\_\_\_\_ 6.0 LBS.
- MAX. RADIAL TORQUE \_\_\_\_\_ N/A

### CENTER CONTACT AXIAL FORCES

- INSERTION (MAX. OUNCES) \_\_\_\_\_ INTERFACE 32.0; REAR 32.0
- WITHDRAWAL (MIN. OUNCES) \_\_\_\_\_ INTERFACE 2.0, REAR 1.0

CONNECTOR ENGAGEMENT/DISENGAGEMENT (MAX. IN. LBS) — 2.0

CONNECTOR DURABILITY (MIN. CYCLES) \_\_\_\_\_ 500

RECOMMENDED MATING TORQUE \_\_\_\_\_ 5 - 8 IN. LBS.

## 4. ENVIRONMENTAL

TEMPERATURE CYCLING \_\_\_\_\_ MIL-STD-202, METHOD 102, COND. C ( -65 ° c TO + 165 ° c )

SHOCK \_\_\_\_\_ MIL-STD-202, METHOD 213, COND. I (100 G's)

VIBRATION \_\_\_\_\_ MIL-STD-202, METHOD 204, COND. D (20 G's)

MOISTURE RESISTANCE \_\_\_\_\_ MIL-STD-202, METHOD 106, LESS STEP 7b

CORROSION \_\_\_\_\_ MIL-STD-202, METHOD 101, COND. B (48 HOURS)

BAROMETRIC PRESSURE (ALTITUDE) \_\_\_\_\_ MIL-STD-202, METHOD 105, COND. C ( 70,000 FT. ) ( 190 VRMS )

## 5. MATERIAL

CONNECTOR BODY \_\_\_\_\_ STAINLESS STEEL PER ASTM-A-582, TYPE 303, COND. A

CENTER CONTACT \_\_\_\_\_ BERYLLIUM COPPER PER ASTM-B-196/B, 196M-03, COPPER ALLOY No. UNS-C17300, TEMPER TD04.

INSULATOR \_\_\_\_\_ TEFLON PER ASTM-D-1710-02, TYPE 1, GRADE 1, CLASS B.

EMI GASKET \_\_\_\_\_ SILVER PLATED ALUMINUM IN SILICONE PER MIL-G-83528, TYPE B.

## 6. FINISH

CONNECTOR BODY \_\_\_\_\_ EX FLUX AND PICKLE (BRAZED PARTS), BUFF TO A BRIGHT APPEARANCE.

PRESS SLEEVE \_\_\_\_\_ PASSIVATE PER AMS-2700, TYPE 2, CLASS 4.

CENTER CONTACT \_\_\_\_\_ GOLD PER ASTM-B-488, TYPE I, CODE C, CLASS 1.27 (.000050 MIN. THK.) OVER NICKEL PER SAE-AMS-QQ-N-290 CLASS 1 (.000050 MIN. THK.) OVER COPPER PER AMS-2418 (.000010 MIN. THK.)

INSULATOR & EMI GASKET \_\_\_\_\_ N/A