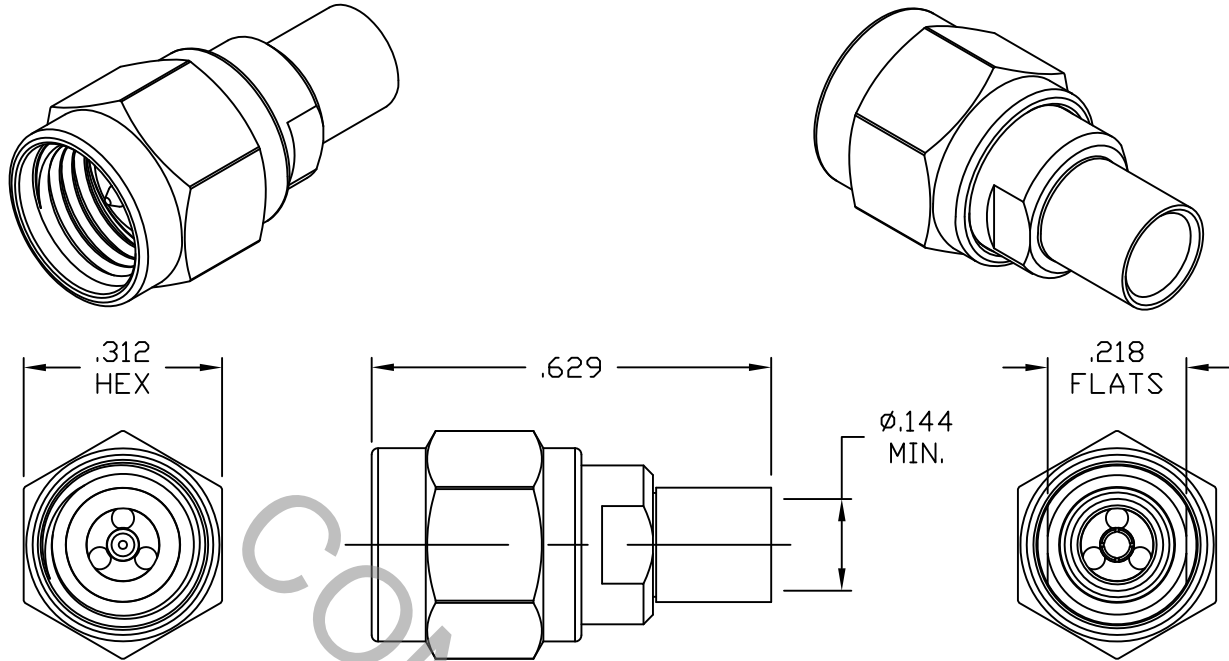


SPECIFICATION CONTROL DRAWING



1. MATING INTERFACE DIMENSIONS PER MIL-STD-348A, Fig. 323.1 (2.92mm, PLUG)

2. ELECTRICAL

FREQUENCY RANGE GHz	DC TO 26.5 GHz
VSWR (MAX.) *	1.05 + .01 x FGHz
INSERTION LOSS (dB MAX.)	.03 dB x √FGHz
NOMINAL IMPEDANCE (OHMS)	50
VOLTAGE RATING (MAX. VRMS)	250
RF LEAKAGE (MIN. dB DOWN)	100 dB - FGHz
TEMPERATURE RATING (DEGREES CENTIGRADE)	-25° c TO + 125° c
DIELECTRIC WITHSTANDING VOLTAGE (MAX. VRMS)	750
INSULATION RESISTANCE (MIN. MEGOHMS)	10,000
CONTACT RESISTANCE	
• CENTER CONTACT (MAX. MILLIOHMS)	6.0
• OUTER CONTACT (MAX. MILLIOHMS)	2.0

* TERMINATED IN A 50 OHM LOAD

RoHS
COMPLIANT

This Document contains proprietary and confidential information.

REV.	DCN NO.	DATE	APP.	DIMENSIONS ARE IN INCHES TOLERANCES			 <small>INCORPORATED</small> HAVERHILL, MA. 01835
AA	14-2092	9/3/14	DC	DECIMALS	FRACTIONAL	ANGULAR	
				.X ± .030 .XX ± .010 .XXX ± .005	± 1/64	X° ± 1° 0' X° X' ± 15'	
				DRAWN: RMS DATE: 9/3/14			TITLE 2.92mm PLUG, DIRECT SOLDER, Ø.141 LOW LOSS, SEMI-RIGID
				APP.: DC DATE: 9/3/14			
				CODE IDENT. 2J899	SHEET 1 OF 2		DWG. NO. 9400-4325-6200

SPECIFICATION CONTROL DRAWING

3. MECHANICAL

CAPTIVATION-CENTER CONTACT	
MAX. AXIAL FORCE _____	6.0 LBS.
MAX. RADIAL TORQUE _____	N/A
CENTER CONTACT AXIAL FORCES	
● INSERTION (MAX. OUNCES) _____	N/A
● WITHDRAWAL (MIN. OUNCES) _____	N/A
CONNECTOR ENGAGEMENT/DISENGAGEMENT(MAX. IN. LBS.) _____	2.0
CONNECTOR DURABILITY (MIN. CYCLES) _____	500
RRECOMMENDED MATING TORQUE _____	7 - 10 IN. LBS.

4. ENVIRONMENTAL

TEMPERATURE CYCLING _____	MIL-STD-202, METHOD 102, COND. C (-25° c TO +100° c)
SHOCK _____	MIL-STD-202, METHOD 213, COND. I (100 G's)
VIBRATION _____	MIL-STD-202, METHOD 204, COND. D (20 G's)
MOISTURE RESISTANCE _____	MIL-STD-202, METHOD 106, LESS STEP 7b
CORROSION _____	MIL-STD-202, METHOD 101, COND. B (48 HOURS)
BAROMETRIC PRESSURE (ALTITUDE) _____	MIL-STD-202, METHOD 105, COND. C (70,000 FT.) (190 VRMS)

5. MATERIAL

BODY, PRESS SLEEVE & COUPLING NUT _____	STAINLESS STEEL PER ASTM-A-582, TYPE 303, COND. A
CONTACTS & RETAINING RING _____	BERYLLIUM COPPER PER ASTM B196/B, 196M-03, COPPER ALLOY No. UNS-C17300, TEMPER TD04.
INSULATOR _____	CROSS LINKED POLYSTYRENE
GASKET _____	SILICONE RUBBER PER ZZ-R-765.

6. FINISH

BODY & COUPLING NUT _____	PASSIVATE PER AMS-2700, TYPE 2, CLASS 4.
CONTACTS _____	GOLD PER ASTM B 488, TYPE I, CODE C, CLASS 0.75 (.000030 MIN. THK.) OVER NICKEL PER SAE-AMS-QQ-N-290, CLASS 1 (.000050 MIN. THK.) OVER COPPER PER AMS-2418, (.000010 MIN. THK.).
PRESS SLEEVE _____	GOLD PER ASTM-B-488, TYPE I, CODE C, CLASS 1.27 (.000050 MIN. THK.) OVER NICKEL PER SAE-AMS-QQ-N-290 CLASS 1 (.000150 MIN. THK.) OVER NICKEL (WOODS OR WATTS) (.000010 MIN. THK.)
INSULATOR, GASKET & RETAINING RING _____	N/A