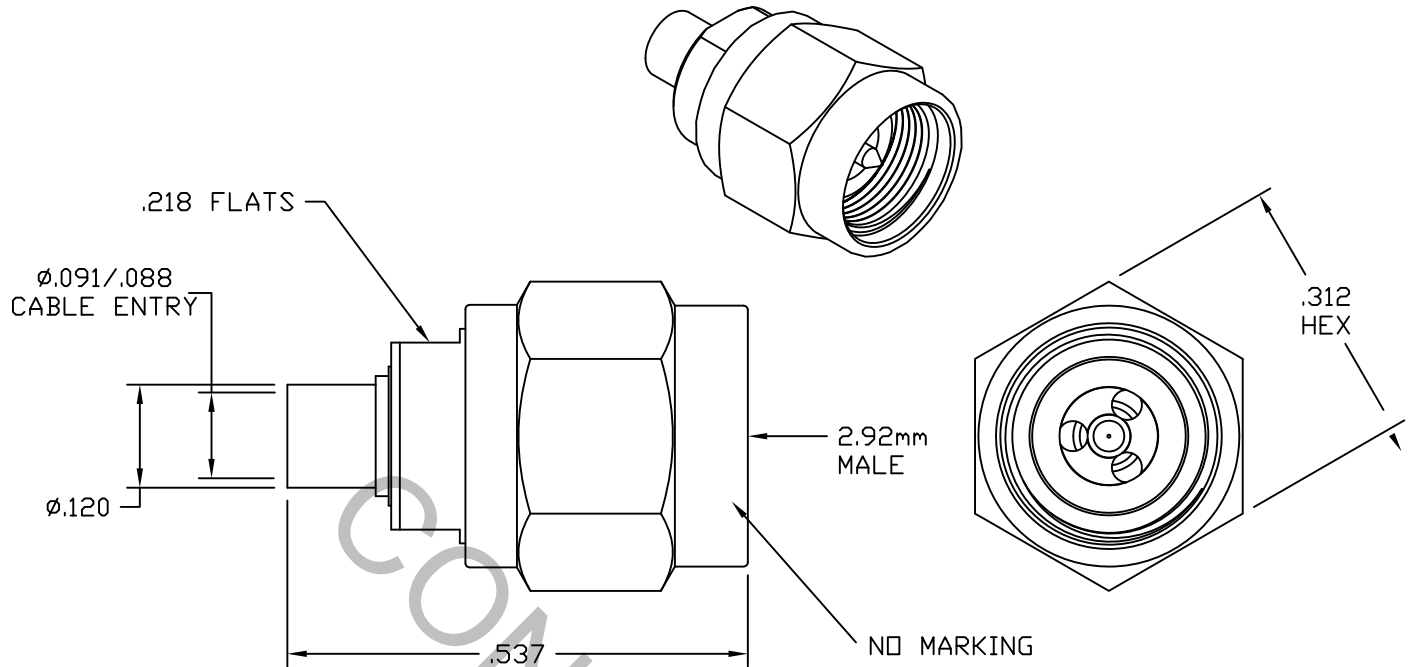


SPECIFICATION CONTROL DRAWING



1. MATING INTERFACE DIMENSIONS FOR 2.92mm, PLUG per MD-94.

2. ELECTRICAL

FREQUENCY RANGE GHz	_____	DC TO 40.0 GHz
VSWR (MAX.) *	_____	1.05 + .01 x FGHz
INSERTION LOSS (dB MAX.)	_____	.03 dB x $\sqrt{\text{FGHz}}$
NOMINAL IMPEDANCE (OHMS)	_____	50
VOLTAGE RATING (MAX. VRMS)	_____	250
RF LEAKAGE (MIN. dB DOWN)	_____	100 dB - FGHz
TEMPERATURE RATING (DEGREES CENTIGRADE)	_____	-25° c TO + 125° c
DIELECTRIC WITHSTANDING VOLTAGE (MAX. VRMS)	_____	750
INSULATION RESISTANCE (MIN. MEGOHMS)	_____	10,000
CONTACT RESISTANCE		
• CENTER CONTACT (MAX. MILLIOHMS)	_____	6.0
• OUTER CONTACT (MAX. MILLIOHMS)	_____	2.0

* TERMINATED IN A 50 OHM LOAD

RoHS
COMPLIANT

REV.	DCN NO.	DATE	APP.	DIMENSIONS ARE IN INCHES TOLERANCES			 <small>INCORPORATED</small> HAVERHILL, MA. 01835
AA	16-2162	9/20/16	TS	DECIMALS	FRACTIONAL	ANGULAR	
				.X ± .030	± 1/64	X° ± 1° 0'	
				.XX ± .010		X° X' ± 15'	
				.XXX ± .005			
				DRAWN: BN DATE: 9/20/16			TITLE 2.9mm, MALE, STRAIGHT DIRECT SOLDER ATTACHMENT FOR RG405
				APP.: TS DATE: 9/20/16			
				CODE IDENT.			DWG. NO. 9400-8525-6201
				2J899	SHEET 1 OF 2		

SPECIFICATION CONTROL DRAWING

3. MECHANICAL

CAPTIVATION-CENTER CONTACT
MAX. AXIAL FORCE _____ 6.0 LBS.
MAX. RADIAL TORQUE _____ N/A
CENTER CONTACT AXIAL FORCES
● INSERTION (MAX. OUNCES) _____ INTERFACE 48.0
● WITHDRAWAL (MIN. OUNCES) _____ INTERFACE 2.0
CONNECTOR ENGAGEMENT/DISENGAGEMENT(MAX. IN. LBS.) _____ 2.0
CONNECTOR DURABILITY (MIN. CYCLES) _____ 500
RRECOMMENDED MATING TORQUE _____ 7 - 10 IN. LBS.

4. ENVIRONMENTAL

TEMPERATURE CYCLING _____ MIL-STD-202, METHOD 102, COND. C (-25° c TO +100° c)
SHOCK _____ MIL-STD-202, METHOD 213, COND. I (100 G's)
VIBRATION _____ MIL-STD-202, METHOD 204, COND. D (20 G's)
MOISTURE RESISTANCE _____ MIL-STD-202, METHOD 106, LESS STEP 7b
CORROSION _____ MIL-STD-202, METHOD 101, COND. B (48 HOURS)
BAROMETRIC PRESSURE (ALTITUDE) _____ MIL-STD-202, METHOD 105, COND. C (70,000 FT.) (190 VRMS)

5. MATERIAL

BODY, SLEEVE & COUPLING NUT _____ STAINLESS STEEL PER ASTM-A-582, TYPE 303, COND. A
CONTACT & RETAINING RING _____ BERYLLIUM COPPER PER ASTM-B-196/B, 196M-03, COPPER ALLOY No. UNS-C17300, TEMPER TD04.
FILLER INSULATOR _____ TEFLON PER ASTM-D-1710-02, TYPE 1, GRADE 1, CLASS B.
INSULATOR BEAD _____ PLASTIC COMPOSITE
GASKET _____ SILICONE RUBBER PER ZZ-R-765.

6. FINISH

BODY & COUPLING NUT _____ PASSIVATE PER AMS-2700, TYPE 2, CLASS 4.
CONTACT _____ GOLD PER ASTM B 488, TYPE I, CODE C, CLASS 0.75
(.000030-.000055 THK.) OVER NICKEL PER SAE-AMS-QQ-N-290,
CLASS 1 (.000050-.000075 THK.) OVER COPPER PER AMS-2418,
(.000010 MIN. THK.).
SLEEVE _____ GOLD PER ASTM-B-488, TYPE I, CODE C, CLASS 1.27
(.000050 MIN. THK.) OVER NICKEL PER SAE-AMS-QQ-N-290
CLASS 1 (.000150 MIN. THK.) OVER NICKEL (WOODS OR WATTS)
(.000010 MIN. THK.)
INSULATORS, GASKET & RETAINING RING _____ N/A