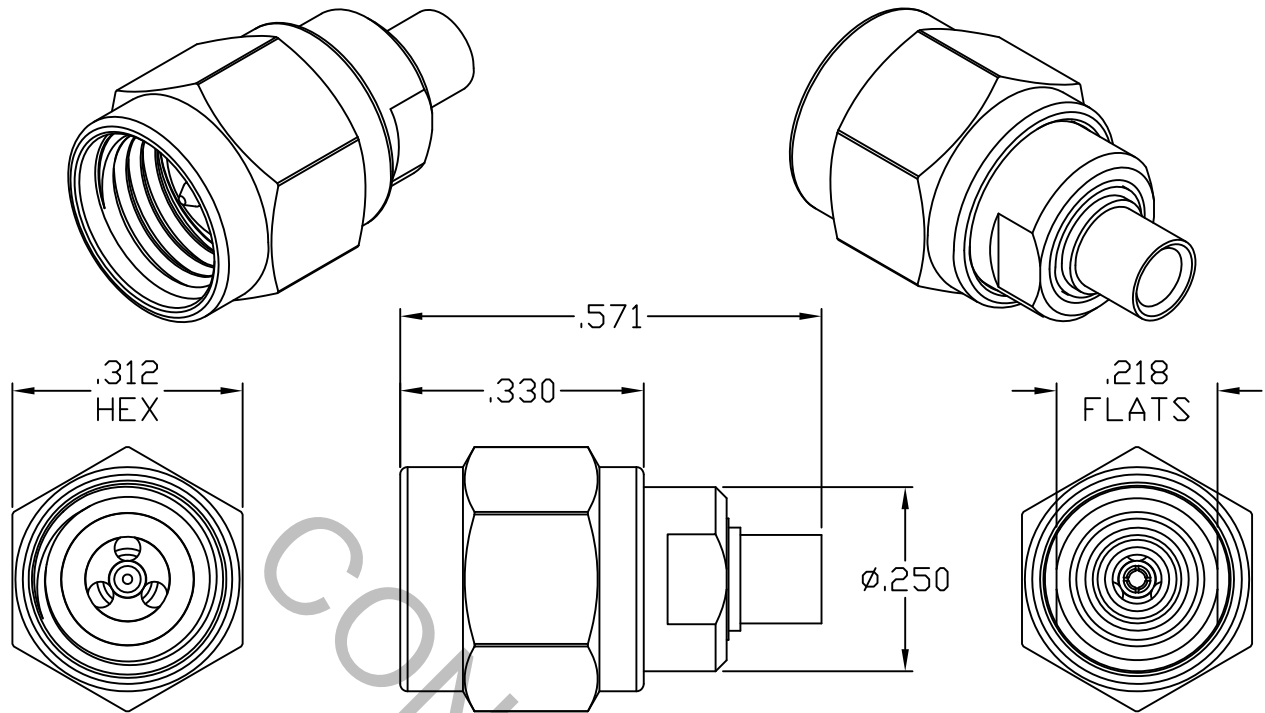


SPECIFICATION CONTROL DRAWING



1. MATING INTERFACE DIMENSIONS Per MIL-STD-348 Fig. 323.1 (SMK PLUG).

2. ELECTRICAL

FREQUENCY RANGE GHz	_____	DC TO 40.0 GHz
VSWR (MAX.) *	_____	1.05 + .01 x $\sqrt{\text{FGHz}}$
INSERTION LOSS (dB MAX.)	_____	.03 dB x $\sqrt{\text{FGHz}}$
NOMINAL IMPEDANCE (OHMS)	_____	50
VOLTAGE RATING (MAX. VRMS)	_____	250
RF LEAKAGE (MIN. dB DOWN)	_____	100 dB - FGHz
TEMPERATURE RATING (DEGREES CENTIGRADE)	_____	-65° c TO + 125° c
DIELECTRIC WITHSTANDING VOLTAGE (MAX. VRMS)	_____	750
INSULATION RESISTANCE (MIN. MEGOHMS)	_____	5,000
CONTACT RESISTANCE		
• CENTER CONTACT (MAX. MILLIOHMS)	_____	6.0
• OUTER CONTACT (MAX. MILLIOHMS)	_____	2.0

* TERMINATED IN A 50 OHM LOAD

RoHS
COMPLIANT

This Document contains proprietary and confidential information.

REV.	DCN NO.	DATE	APP.	DIMENSIONS ARE IN INCHES TOLERANCES			CABLE INCORPORATED <small>HAVERHILL, MA. 01835</small>
				DECIMALS	FRACTIONAL	ANGULAR	
AA	17-2020	8/24/17	DC	.X ⁺ .030 .XX ⁺ .010 .XXX ⁺ .005	± 1/64	X ± 1 Ø X' X' ± 5'	TITLE 2.9mm, MALE, STRAIGHT DIRECT SOLDER ATTACHMENT FOR 9-40109 CABLE
AB	17-2070	9/8/17	DC				
				DRAWN: RMS	DATE: 8/24/17		
				APP.: DC	DATE: 8/24/17		
				CODE IDENT. 6DZL5	SHEET 1 OF 2	DWG. NO.	9400-9109-6200

SPECIFICATION CONTROL DRAWING

3. MECHANICAL

CAPTIVATION-CENTER CONTACT	
MAX. AXIAL FORCE _____	4.5 LBS.
MAX. RADIAL TORQUE _____	N/A
CENTER CONTACT AXIAL FORCES	
● INSERTION (MAX. OUNCES) _____	INTERFACE 48.0
● WITHDRAWAL (MIN. OUNCES) _____	INTERFACE 2.0
CONNECTOR ENGAGEMENT/DISENGAGEMENT(MAX. IN. LBS.) _____	2.0
CONNECTOR DURABILITY (MIN. CYCLES) _____	500
RRECOMMENDED MATING TORQUE _____	7 - 10 IN. LBS.

4. ENVIRONMENTAL

TEMPERATURE CYCLING _____	MIL-STD-202, METHOD 102, COND. C (-25°c TO + 100°c)
SHOCK _____	MIL-STD-202, METHOD 213, COND. I (100 G's)
VIBRATION _____	MIL-STD-202, METHOD 204, COND. D (20 G's)
MOISTURE RESISTANCE _____	MIL-STD-202, METHOD 106, LESS STEP 7b
CORROSION _____	MIL-STD-202, METHOD 101, COND. B (48 HOURS)
BAROMETRIC PRESSURE (ALTITUDE) _____	MIL-STD-202, METHOD 105, COND. C (70,000 FT.) (190 VRMS)

5. MATERIAL

BODY, PRESS SLEEVE & COUPLING NUT _____	STAINLESS STEEL PER ASTM-A-582, TYPE 303, COND. A
CONTACTS & RETAINING RING _____	BERYLLIUM COPPER PER ASTM-B-196/B, 196M-03, COPPER ALLOY No. UNS-C17300, TEMPER TD04.
INSULATOR BEAD _____	PLASTIC COMPOSITE
FILLER INSULATOR _____	TEFLON PER ASTM-D-1710, TYPE 1, GRADE 1, CLASS B
GASKET _____	SILICONE RUBBER PER ZZ-R-765.

6. FINISH

BODY & COUPLING NUT _____	PASSIVATE PER AMS-2700, TYPE 2, CLASS 4.
CONTACTS _____	GOLD PER ASTM B 488, TYPE I, CODE C, CLASS 0.75 (.000030-.000055 THK.) OVER NICKEL PER SAE-AMS-QQ-N-290, CLASS 1 (.000050-.000075 THK.) OVER COPPER PER AMS-2418, (.000010 MIN. THK.).
PRESS SLEEVE _____	GOLD PER ASTM-B-488, TYPE I, CODE C, CLASS 1.27 (.000050 MIN. THK.) OVER NICKEL PER SAE-AMS-QQ-N-290 CLASS 1 (.000150 MIN. THK.) OVER NICKEL (WOODS OR WATTS) (.000010 MIN. THK.)
INSULATORS, GASKET & RETAINING RING _____	N/A