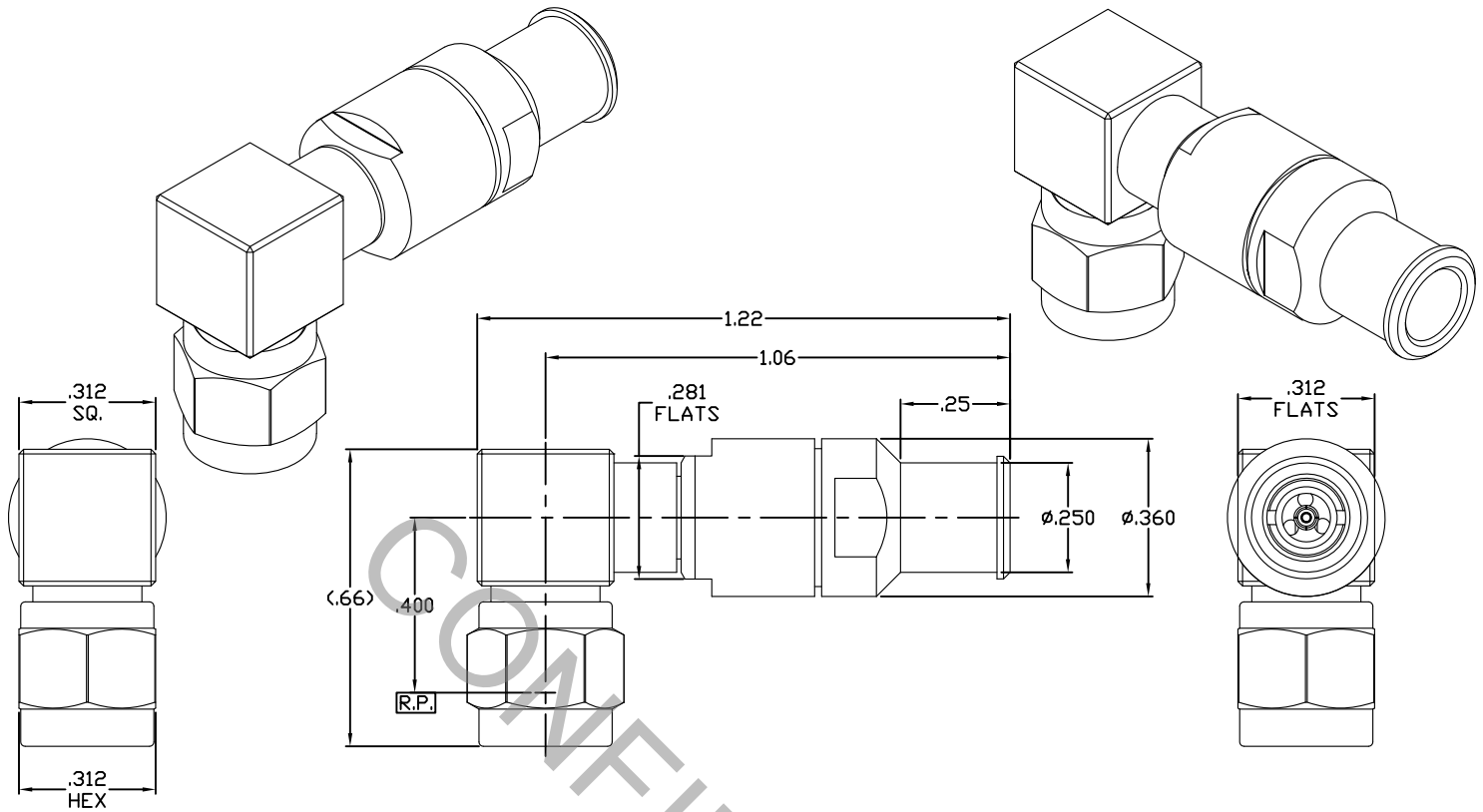


SPECIFICATION CONTROL DRAWING



1. MATING INTERFACE DIMENSIONS Per MIL-STD-348 Fig. 323.1 (SMK PLUG).
2. ELECTRICAL

| | |
|---|--------------------|
| FREQUENCY RANGE GHz | DC TO 40.0 GHz |
| VSWR (MAX) * | 1.07 + .007 x FGHz |
| INSERTION LOSS (dB MAX) * | .06 dB x √FGHz |
| NOMINAL IMPEDANCE (OHMS) | 50 |
| VOLTAGE RATING (MAX. VRMS) | 250 |
| RF LEAKAGE (MIN. dB DOWN) | -100 dB - FGHz |
| TEMPERATURE RATING (DEGREES CENTIGRADE) | -65°C TO + 165°C |
| DIELECTRIC WITHSTANDING VOLTAGE (MAX. VRMS) | 750 |
| INSULATION RESISTANCE (MIN. MEGOHMS) | 5,000 |
| CONTACT RESISTANCE | |
| • CENTER CONTACT (MAX. MILLIOHMS) | 6.0 |
| • OUTER CONTACT (MAX. MILLIOHMS) | 2.0 |

* TERMINATED IN A 50 OHM LOAD

RoHS
COMPLIANT

This Document contains proprietary and confidential information.

| REV. | DCN NO. | DATE | APP. | DIMENSIONS ARE IN INCHES TOLERANCES | | | CABLE INCORPORATED HAVERHILL, MA 01835 | |
|------|---------|---------|------|--|--------------|--------------|---|----------------------------|
| AA | 13-1911 | 6/21/13 | DC | DECIMALS | FRACTIONAL | ANGULAR | | |
| | | | | .X ± .030 | | X ° ± 1° 0' | TITLE 2.92mm PLUG, RIGHT ANGLE, SOLDER CLAMP, DF640 LOW LOSS | |
| | | | | .XX ± .010 | ± 1/64 | X ° X' ± 15' | | |
| | | | | .XXX ± .005 | | | | |
| | | | | DRAWN | RMS | DATE | 6/21/13 | DWG. NO. 9401-640H-6240 |
| | | | | APPROVED | DC | DATE | 6/21/13 | |
| | | | | CODE IDENT. | SHEET 1 OF 2 | | | |
| | | | | 6DZL5 | | | | |

SPECIFICATION CONTROL DRAWING

3. MECHANICAL

CAPTIVATION-CENTER CONTACT
MIN. AXIAL FORCE _____ 4.5 LBS.
MIN. RADIAL TORQUE _____ N/A
CENTER CONTACT AXIAL FORCES
● INSERTION (MAX. OUNCES) _____ N/A
● WITHDRAWAL (MIN. OUNCES) _____ N/A
CONNECTOR ENGAGEMENT/DISENGAGEMENT (MAX. LBS.) _____ 2.0
CONNECTOR DURABILITY (MIN. CYCLES) _____ 500
RECOMMENDED MATING TORQUE _____ 7 - 10 IN. LBS.

4. ENVIRONMENTAL

TEMPERATURE CYCLING _____ MIL-STD-202, METHOD 107, COND. C (-65° c TO + 165° c)
SHOCK _____ MIL-STD-202, METHOD 213, COND. I (100 G's)
VIBRATION _____ MIL-STD-202, METHOD 204, COND. D (20 G's)
MOISTURE RESISTANCE _____ MIL-STD-202, METHOD 106, LESS STEP 7b
CORROSION _____ MIL-STD-202, METHOD 101, COND. B (48 HOURS)
BAROMETRIC PRESSURE (ALTITUDE) _____ MIL-STD-202, METHOD 105, COND. C (70,000 FT.) (190 VRMS)

5. MATERIAL

BODIES, COUPLING NUT, CLAMP NUT & CUBE _____ STAINLESS STEEL PER ASTM-A-582, TYPE 303, COND. A
CONTACTS & RETAINING RING _____ BERYLLIUM COPPER PER ASTM-B-196/B, 196M-03, COPPER
ALLOY No. UNS-C17300, TEMPER TD04.
INSULATORS _____ PLASTIC COMPOSITE
GASKET & O-RING _____ SILICONE RUBBER PER ZZ-R-765.
SOLDER SLEEVE _____ BRASS PER ASTM-B-16, TEMPER H02, ALLOY C36000.

6. FINISH

BODIES, COUPLING NUT, CLAMP NUT & CUBE _____ PASSIVATE PER AMS-2700, TYPE 2, CLASS 4.
CONTACTS _____ GOLD PER ASTM-B-488, TYPE I, CODE C, CLASS 0.75
(.000030 MIN. THK.) OVER NICKEL PER SAE-AMS-QQ-N-290
CLASS 1 (.000050 MIN. THK.) OVER COPPER PER AMS-2418
(.000010 MIN. THK.)
SOLDER SLEEVE _____ GOLD PER ASTM-B-488, TYPE I, CODE C, CLASS 1.27
(.000050 MIN. THK.) OVER NICKEL PER SAE-AMS-QQ-N-290
CLASS 1 (.000150 MIN. THK.) OVER COPPER PER AMS-2418
(.000010 MIN. THK.)
INSULATORS, RETAINING RING, GASKET & O-RING _____ N/A