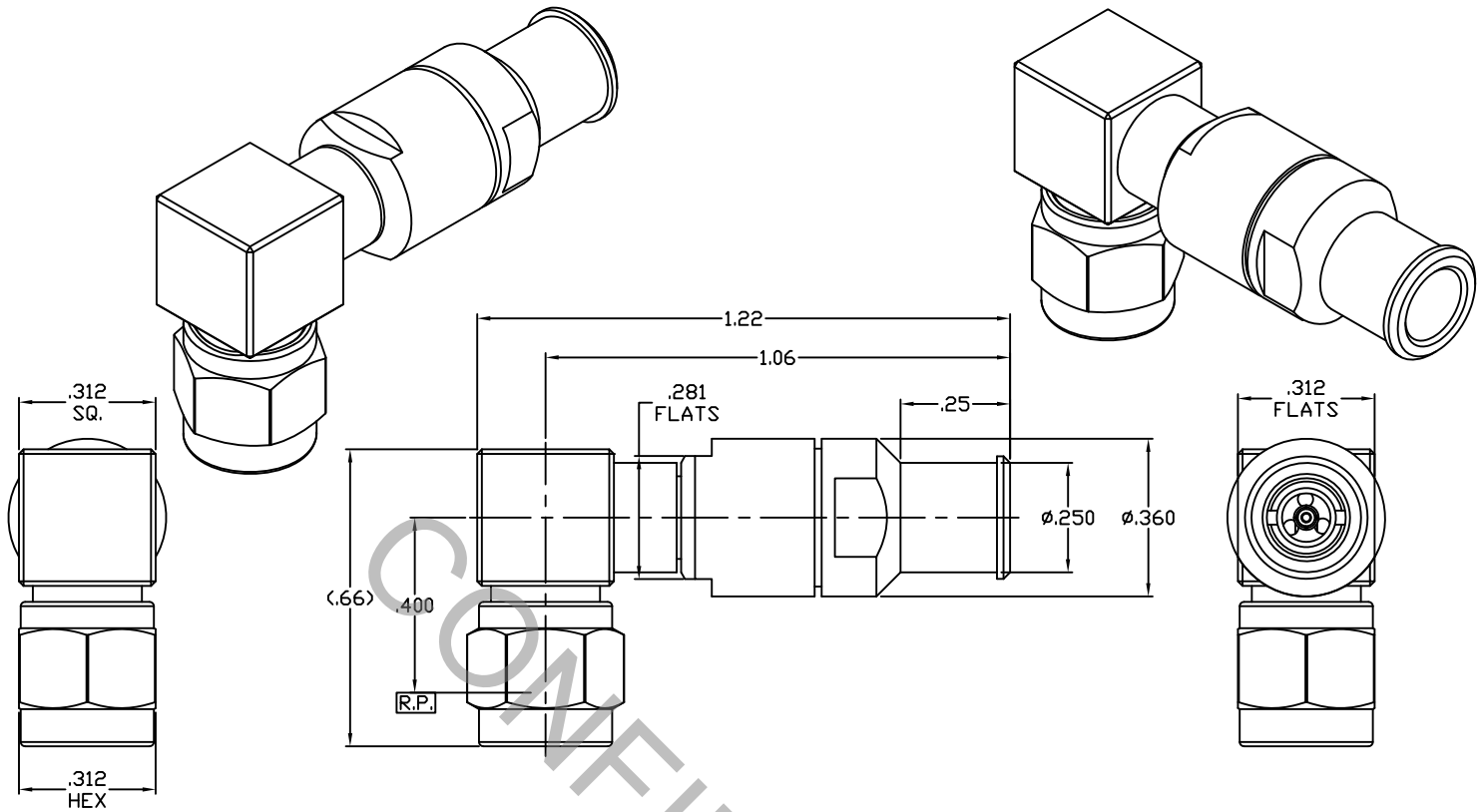


SPECIFICATION CONTROL DRAWING



1. MATING INTERFACE DIMENSIONS Per MIL-STD-348 Fig. 323.1 (SMK PLUG).
2. ELECTRICAL

FREQUENCY RANGE GHz	DC TO 40.0 GHz
VSWR (MAX) *	1.07 + .007 x FGHz
INSERTION LOSS (dB MAX) *	.06 dB x √FGHz
NOMINAL IMPEDANCE (OHMS)	50
VOLTAGE RATING (MAX. VRMS)	250
RF LEAKAGE (MIN. dB DOWN)	-100 dB - FGHz
TEMPERATURE RATING (DEGREES CENTIGRADE)	-65°C TO + 165°C
DIELECTRIC WITHSTANDING VOLTAGE (MAX. VRMS)	750
INSULATION RESISTANCE (MIN. MEGOHMS)	5,000
CONTACT RESISTANCE	
• CENTER CONTACT (MAX. MILLIOHMS)	6.0
• OUTER CONTACT (MAX. MILLIOHMS)	2.0

* TERMINATED IN A 50 OHM LOAD

RoHS
COMPLIANT

This Document contains proprietary and confidential information.

REV.	DCN NO.	DATE	APP.	DIMENSIONS ARE IN INCHES TOLERANCES			 CABLE INCORPORATED HAVERHILL, MA 01835	
AA	14-1448	4/14/14	DC	DECIMALS	FRACTIONAL	ANGULAR		
				.X ± .030		X ° ± 1° 0'		
				.XX ± .010	± 1/64	X ° X' ± 15'		
				.XXX ± .005				
				DRAWN	RMS	DATE	4/14/14	TITLE 2.92mm PLUG, RIGHT ANGLE, SOLDER CLAMP, 7-00152 LOW LOSS
				APPROVED	DC	DATE	4/14/14	
				CODE IDENT.		SHEET	1 OF 2	DWG. NO. 9401-7152-6240
				6DZL5				

SPECIFICATION CONTROL DRAWING

3. MECHANICAL

CAPTIVATION-CENTER CONTACT
MIN. AXIAL FORCE _____ 4.5 LBS.
MIN. RADIAL TORQUE _____ N/A
CENTER CONTACT AXIAL FORCES
● INSERTION (MAX. OUNCES) _____ N/A
● WITHDRAWAL (MIN. OUNCES) _____ N/A
CONNECTOR ENGAGEMENT/DISENGAGEMENT (MAX. LBS.) _____ 2.0
CONNECTOR DURABILITY (MIN. CYCLES) _____ 500
RECOMMENDED MATING TORQUE _____ 7 - 10 IN. LBS.

4. ENVIRONMENTAL

TEMPERATURE CYCLING _____ MIL-STD-202, METHOD 107, COND. C (-65° c TO + 165° c)
SHOCK _____ MIL-STD-202, METHOD 213, COND. I (100 G's)
VIBRATION _____ MIL-STD-202, METHOD 204, COND. D (20 G's)
MOISTURE RESISTANCE _____ MIL-STD-202, METHOD 106, LESS STEP 7b
CORROSION _____ MIL-STD-202, METHOD 101, COND. B (48 HOURS)
BAROMETRIC PRESSURE (ALTITUDE) _____ MIL-STD-202, METHOD 105, COND. C (70,000 FT.) (190 VRMS)

5. MATERIAL

BODIES, COUPLING NUT, CLAMP NUT & CUBE _____ STAINLESS STEEL PER ASTM-A-582, TYPE 303, COND. A
CONTACTS & RETAINING RING _____ BERYLLIUM COPPER PER ASTM-B-196/B, 196M-03, COPPER
ALLOY No. UNS-C17300, TEMPER TD04.
INSULATORS _____ CROSS LINKED POLYSTYRENE (200° C).
GASKET & O-RING _____ SILICONE RUBBER PER ZZ-R-765.
SOLDER SLEEVE _____ BRASS PER ASTM-B-16, TEMPER H02, ALLOY C36000.

6. FINISH

BODIES, COUPLING NUT, CLAMP NUT & CUBE _____ PASSIVATE PER AMS-2700, TYPE 2, CLASS 4.
CONTACTS _____ GOLD PER ASTM-B-488, TYPE I, CODE C, CLASS 0.75
(.000030 MIN. THK.) OVER NICKEL PER SAE-AMS-QQ-N-290
CLASS 1 (.000050 MIN. THK.) OVER COPPER PER AMS-2418
(.000010 MIN. THK.)
SOLDER SLEEVE _____ GOLD PER ASTM-B-488, TYPE I, CODE C, CLASS 1.27
(.000050 MIN. THK.) OVER NICKEL PER SAE-AMS-QQ-N-290
CLASS 1 (.000150 MIN. THK.) OVER COPPER PER AMS-2418
(.000010 MIN. THK.)
INSULATORS, RETAINING RING, GASKET & O-RING _____ N/A