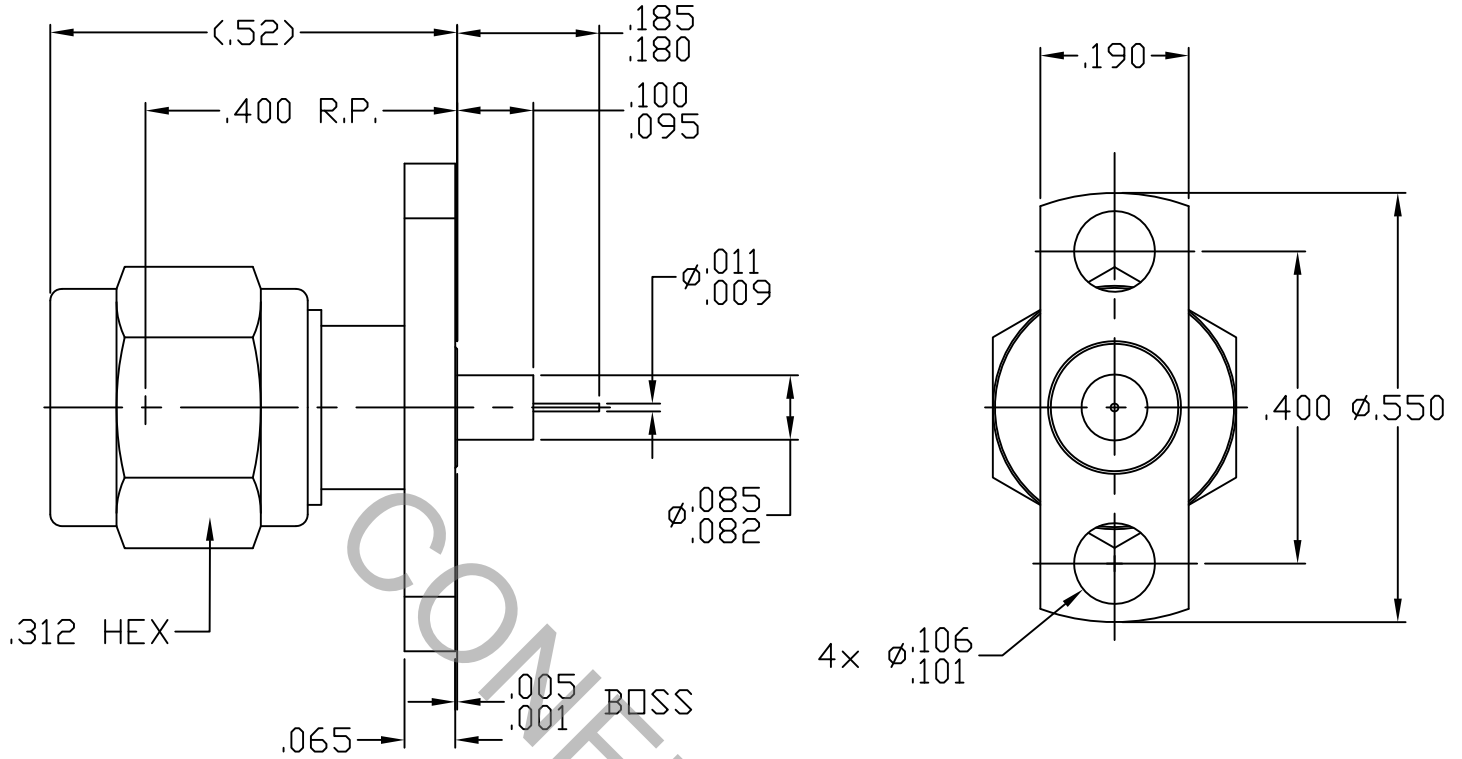


SPECIFICATION CONTROL DRAWING



1. MATING INTERFACE DIMENSIONS FOR 2.92mm Per MIL-STD-348A FIG. 323.1 (SMK PLUG).


2. ELECTRICAL

FREQUENCY RANGE GHz	_____	DC TO 40.0 GHz
VSWR (MAX.) *	_____	1.05 + .008 x FGHz
INSERTION LOSS (dB MAX.)	_____	.05 dB x $\sqrt{\text{FGHz}}$
NOMINAL IMPEDANCE (OHMS)	_____	50
VOLTAGE RATING (MAX. VRMS)	_____	167
RF LEAKAGE (MIN. dB DOWN)	_____	-100 dB - FGHz
TEMPERATURE RATING (DEGREES CENTIGRADE)	_____	-65 ^o c TO + 125 ^o c
DIELECTRIC WITHSTANDING VOLTAGE (MAX. VRMS)	_____	500
INSULATION RESISTANCE (MIN. MEGOHMS)	_____	5,000
CONTACT RESISTANCE		
• CENTER CONTACT (MAX. MILLIOHMS)	_____	3.0
• OUTER CONTACT (MAX. MILLIOHMS)	_____	2.0

* TERMINATED IN A 50 OHM LOAD

RoHS

This Document contains proprietary and confidential information. **COMPLIANT**

REV.	DCN NO.	DATE	APP.	DIMENSIONS ARE IN INCHES TOLERANCES			 <small>INCORPORATED</small> HAVERHILL, MA. 01835
AA	14-1845	7/17/14	TS	DECIMALS	FRACTIONAL	ANGULAR	
				.X + .030		X° ± 1'0"	TITLE 2.9mm PLUG, 2 HOLE FLANGE, EXTENDED DIELECTRIC, Ø.010 PIN TERMINAL
				.XX ± .010	± 1/64	X°X' ± 15'	
				.XXX ± .005			
				DRAWN: TS	DATE: 7/17/14		DWG. NO. 9452-0035-6203
				APP.: DC	DATE: 7/17/14		
				CODE IDENT. 2J899	SHEET 1 OF 2		

SPECIFICATION CONTROL DRAWING

3. MECHANICAL

CAPTIVATION-CENTER CONTACT	
MAX. AXIAL FORCE _____	4.5 LBS.
MAX. RADIAL TORQUE _____	N/A
CENTER CONTACT AXIAL FORCES	
● INSERTION (MAX. OUNCES) _____	INTERFACE 32.0
● WITHDRAWAL (MIN. OUNCES) _____	INTERFACE 1.0
CONNECTOR ENGAGEMENT/DISENGAGEMENT(MAX. IN LBS.) _____	2.0
CONNECTOR DURABILITY (MIN. CYCLES) _____	500
RRECOMMENDED MATING TORQUE _____	7 - 10 IN. LBS.

4. ENVIRONMENTAL

TEMPERATURE CYCLING _____	MIL-STD-202, METHOD 102, COND. C (-25 °c TO + 125 °c)
SHOCK _____	MIL-STD-202, METHOD 213, COND. I (100 G's)
VIBRATION _____	MIL-STD-202, METHOD 204, COND. D (20 G's)
MOISTURE RESISTANCE _____	MIL-STD-202, METHOD 106, LESS STEP 7b
CORROSION _____	MIL-STD-202, METHOD 101, COND. B (48 HOURS)
BAROMETRIC PRESSURE (ALTITUDE) _____	MIL-STD-202, METHOD 105, COND. C (70,000 FT.) (125 VRMS)

5. MATERIAL

BODY & COUPLING NUT _____	STAINLESS STEEL PER ASTM-A-582, TYPE 303, COND. A
CONTACTS & RETAINING RING _____	BERYLLIUM COPPER PER ASTM-B-196/B, 196M-03,COPPER ALLOY C17300, TEMPER TD04.
INSULATOR (REAR) _____	TEFLON PER ASTM-D-1710-02, TYPE 1, GRADE 1, CLASS B.
INSULATOR _____	PLASTIC COMPOSIT
GASKET _____	SILICONE RUBBER PER ZZ-R-765.

6. FINISH

BODY & COUPLING NUT _____	PASSIVATE PER AMS 2700, TYPE 2, CLASS 4.
CONTACTS _____	GOLD PER ATSM-B-488, TYPE I, CODE C, CLASS 1.27 (.000500 MIN. THK.) OVER NICKEL PER SAE AMS QQ-N-290 CLASS 1 OVER COPPER PER AMS 2418 (.000010 MIN. THK.)
INSULATORS, RETAINING RING & GASKET _____	N/A