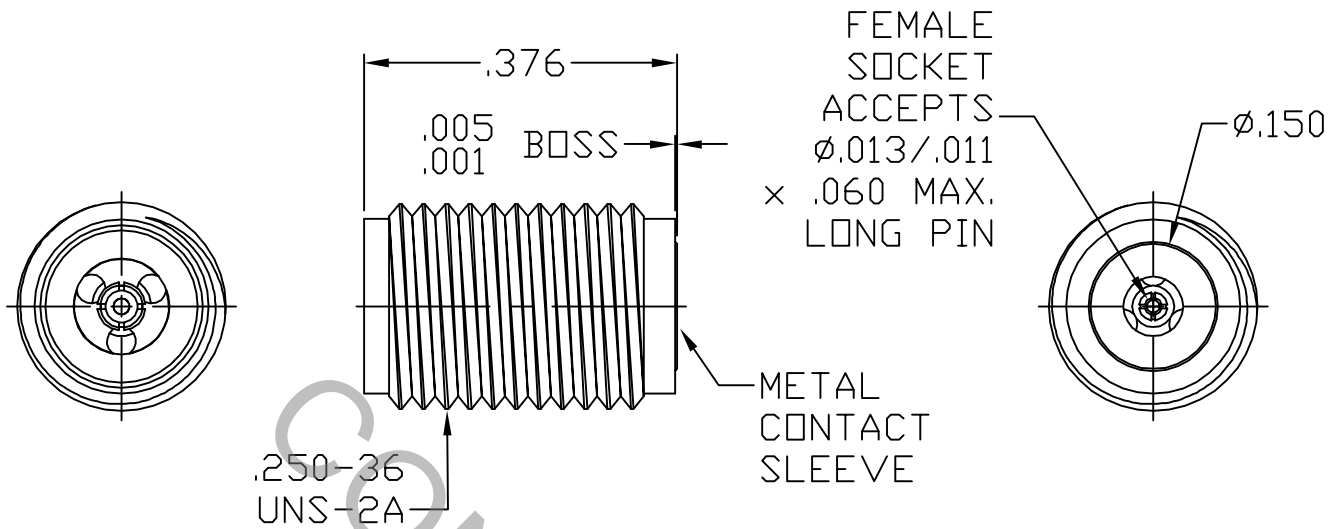


SPECIFICATION CONTROL DRAWING



1. MATING INTERFACE DIMENSIONS FOR 2.92mm JACK per MIL-STD-348A FIG. 323.2

2. ELECTRICAL

FREQUENCY RANGE GHz	_____	DC TO 40.0 GHz
VSWR (MAX.) *	_____	1.05 + .01 x FGHz
INSERTION LOSS (dB MAX.)	_____	.03 dB x $\sqrt{\text{FGHz}}$
NOMINAL IMPEDANCE (OHMS)	_____	50
VOLTAGE RATING (MAX. VRMS)	_____	250
RF LEAKAGE (MIN. dB DOWN)	_____	-100 dB - FGHz
TEMPERATURE RATING (DEGREES CENTIGRADE)	_____	-65° c TO +125° c
DIELECTRIC WITHSTANDING VOLTAGE (MAX. VRMS)	_____	750
INSULATION RESISTANCE (MIN. MEGOHMS)	_____	10,000
CONTACT RESISTANCE		
• CENTER CONTACT (MAX. MILLIOHMS)	_____	6.0
• OUTER CONTACT (MAX. MILLIOHMS)	_____	2.0

* TERMINATED IN A 50 OHM LOAD

RoHS
COMPLIANT

REV.	DCN NO.	DATE	APP.	DIMENSIONS ARE IN INCHES TOLERANCES			 <small>INCORPORATED</small> HAVERHILL, MA. 01835
AA	08-1169	2/14/08	DC	DECIMALS .X + .030 .XX + .010 .XXX ± .005	FRACTIONAL ± 1/64	ANGULAR X° ± 1° 0' X°X' ± 15'	
				DRAWN: DC DATE: 2/14/08			TITLE 2.92mm JACK, THREAD-IN, ACCEPTS Ø.012 PIN
				APP.: DC DATE: 2/14/08			
				CODE IDENT. 2J899	SHEET 1 OF 2	DWG. NO. 9530-0085-6412	

SPECIFICATION CONTROL DRAWING

3. MECHANICAL

CAPTIVATION-CENTER CONTACT

MAX. AXIAL FORCE _____ 6.0 LBS.
MAX. RADIAL TORQUE _____ N/A

CENTER CONTACT AXIAL FORCES

● INSERTION (MAX. OUNCES) _____ INTERFACE AND REAR 32.0
● WITHDRAWAL (MIN. OUNCES) _____ INTERFACE 2.0, REAR 1.0

CONNECTOR ENGAGEMENT/DISENGAGEMENT (MAX. LBS.) _____ 2.0

CONNECTOR DURABILITY (MIN. CYCLES) _____ 500

RECOMMENDED MATING TORQUE _____ 7 - 10 IN. LBS.

4. ENVIRONMENTAL

TEMPERATURE CYCLING _____ MIL-STD-202, METHOD 102, COND. C (-25 ° TO + 125 °c)

SHOCK _____ MIL-STD-202, METHOD 213, COND. I (100 G's)

VIBRATION _____ MIL-STD-202, METHOD 204, COND. D (20 G's)

MOISTURE RESISTANCE _____ MIL-STD-202, METHOD 106, LESS STEP 7b

CORROSION _____ MIL-STD-202, METHOD 101, COND. B (48 HOURS)

BAROMETRIC PRESSURE (ALTITUDE) _____ MIL-STD-202, METHOD 105, COND. C (70,000 FT.) (190VRMS)

5. MATERIAL

CONNECTOR BODY & CONTACT SLEEVE _____ STAINLESS STEEL PER ASTM-A-582, TYPE 303, COND. A

CONTACTS _____ BERYLLIUM COPPER PER ASTM-B-196-90, COPPER ALLOY No. C17300
TEMPER TD04.

INSULATOR _____ PLASTIC COMPOSIT

6. FINISH

BODY & CONTACT SLEEVE _____ GOLD PER ASTM-B-488, TYPE I, CODE C, CLASS 1.25
(.000050 Min. Thk.) OVER NICKEL per QQ-N-290
(.000050 Min. Thk.) OVER WOODS OR WATTS NICKEL
(.000010 Min. Thk.).

CONTACTS _____ GOLD PER ATSM-B-488, TYPE I, CODE C, CLASS .75
(.000030 Min. Thk.) OVER NICKEL per QQ-N-290, CLASS 1
(.000050 Min. Thk.) OVER COPPER PER MIL-C-14550
(.000010 Min. Thk.).

INSULATOR _____ N/A