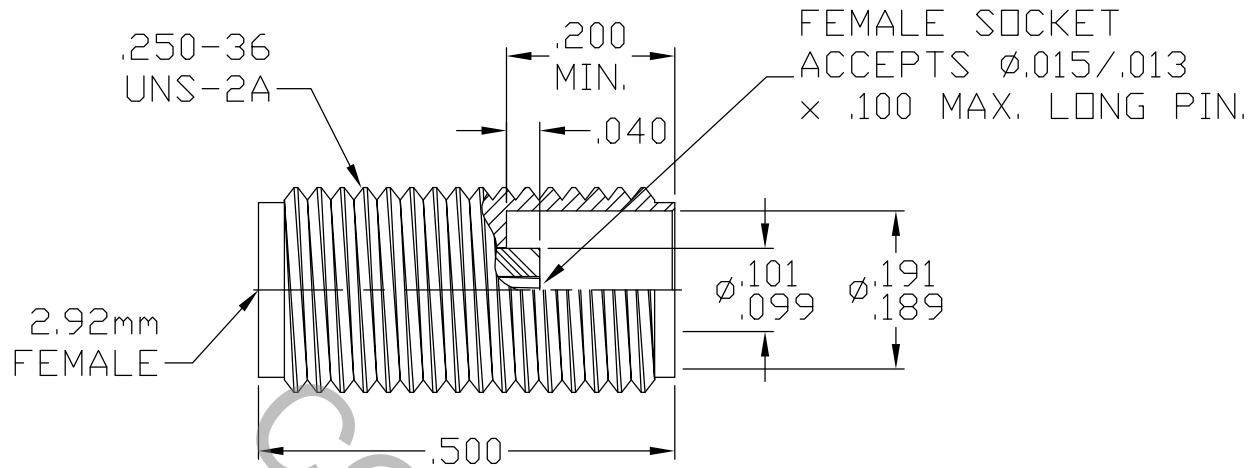


# SPECIFICATION      CONTROL      DRAWING



**1. MATING**      INTERFACE DIMENSIONS FOR 2.92mm, SMK PLUG per MIL-STD-348A FIG. 323.2

**2. ELECTRICAL**

FREQUENCY RANGE GHz	_____	DC TO 40.0 GHz
VSWR (MAX.) *	_____	1.10 + .010 x FGHz
INSERTION LOSS (dB MAX.)	_____	.04 dB x $\sqrt$ FGHz
NOMINAL IMPEDANCE (OHMS)	_____	50
VOLTAGE RATING (MAX. VRMS)	_____	250
RF LEAKAGE (MIN. dB DOWN)	_____	-100 dB - FGHz
TEMPERATURE RATING (DEGREES CENTIGRADE)	_____	-65 °c TO + 150 °c
DIELECTRIC WITHSTANDING VOLTAGE (MAX. VRMS)	_____	750
INSULATION RESISTANCE (MIN. MEGOHMS)	_____	5,000
<b>CONTACT RESISTANCE</b>		
• CENTER CONTACT (MAX. MILLIOHMS)	_____	3.0
• OUTER CONTACT (MAX. MILLIOHMS)	_____	2.0

TERMINATED IN A 50 OHM LOAD

REV.	DCN NO.	DATE	APP.	DIMENSIONS ARE IN INCHES TOLERANCES			 <small>INCORPORATED</small> HAVERHILL, MA. 01835	
AA	05-1198	2/18/05	DC	DECIMALS	FRACTIONAL	ANGULAR	TITLE <b>2.9mm, JACK                  THREAD-IN, AIR CAVITY,                  ACCEPTS .014 PIN</b>	
				.X <sup>+</sup> .030 .XX <sup>+</sup> .010 .XXX <sup>+</sup> .005	± 1/64	X ± 1 θ X X ± 5'		
				DRAWN: DC		DATE: 2/18/05	DWG. NO.      9530-0681-6202	
				APP.: DC		DATE: 2/18/05		
				CODE IDENT.	SHEET 1 OF 2			
				2J899				

# SPECIFICATION CONTROL DRAWING

## 3. MECHANICAL

### CAPTIVATION-CENTER CONTACT

MAX. AXIAL FORCE \_\_\_\_\_ 6.0 LBS.

MAX. RADIAL TORQUE \_\_\_\_\_ N/A

### CENTER CONTACT AXIAL FORCES

● INSERTION (MAX. OUNCES) \_\_\_\_\_ INTERFACE 32.0, REAR 32.0

● WITHDRAWAL (MIN. OUNCES) \_\_\_\_\_ INTERFACE 1.0, REAR 1.0

CONNECTOR ENGAGEMENT/DISENGAGEMENT(MAX. IN LBS.) \_\_\_\_\_ 2.0

CONNECTOR DURABILITY (MIN. CYCLES) \_\_\_\_\_ 500

RECOMMENDED MATING TORQUE \_\_\_\_\_ 7 - 10 IN. LBS.

## 4. ENVIRONMENTAL

TEMPERATURE CYCLING \_\_\_\_\_ MIL-STD-202, METHOD 102, COND. C ( -25° c TO +100° c )

SHOCK \_\_\_\_\_ MIL-STD-202, METHOD 213, COND. I (100 G's)

VIBRATION \_\_\_\_\_ MIL-STD-202, METHOD 204, COND. D (20 G's)

MOISTURE RESISTANCE \_\_\_\_\_ MIL-STD-202, METHOD 106, LESS STEP 7b

CORROSION \_\_\_\_\_ MIL-STD-202, METHOD 101, COND. B (48 HOURS)

BAROMETRIC PRESSURE (ALTITUDE) \_\_\_\_\_ MIL-STD-202, METHOD 105, COND. C ( 70,000 FT. ) ( 190 VRMS )

## 5. MATERIAL

CONNECTOR BODY \_\_\_\_\_ STAINLESS STEEL PER AMS-5640, TYPE 303, COND. A

CONTACT \_\_\_\_\_ BERYLLIUM COPPER PER QQ-C-530, ALLOY 173, COND. H.T.

INSULATOR \_\_\_\_\_ TEFLON PER ASTM D 4894-91.

## 6. FINISH

CONNECTOR BODY \_\_\_\_\_ PASSIVATE PER QQ-P-35A, TYPE I

CONTACT \_\_\_\_\_ GOLD PER ATSM B 488, TYPE I, CODE C, CLASS 2.5  
(.000100 Minimum Thickness) OVER NICKEL per  
QQ-N-290 (.000050 Minimum Thickness) OVER  
COPPER per MIL-C-14550 (.000010 Minimum Thickness).

INSULATOR \_\_\_\_\_ N/A