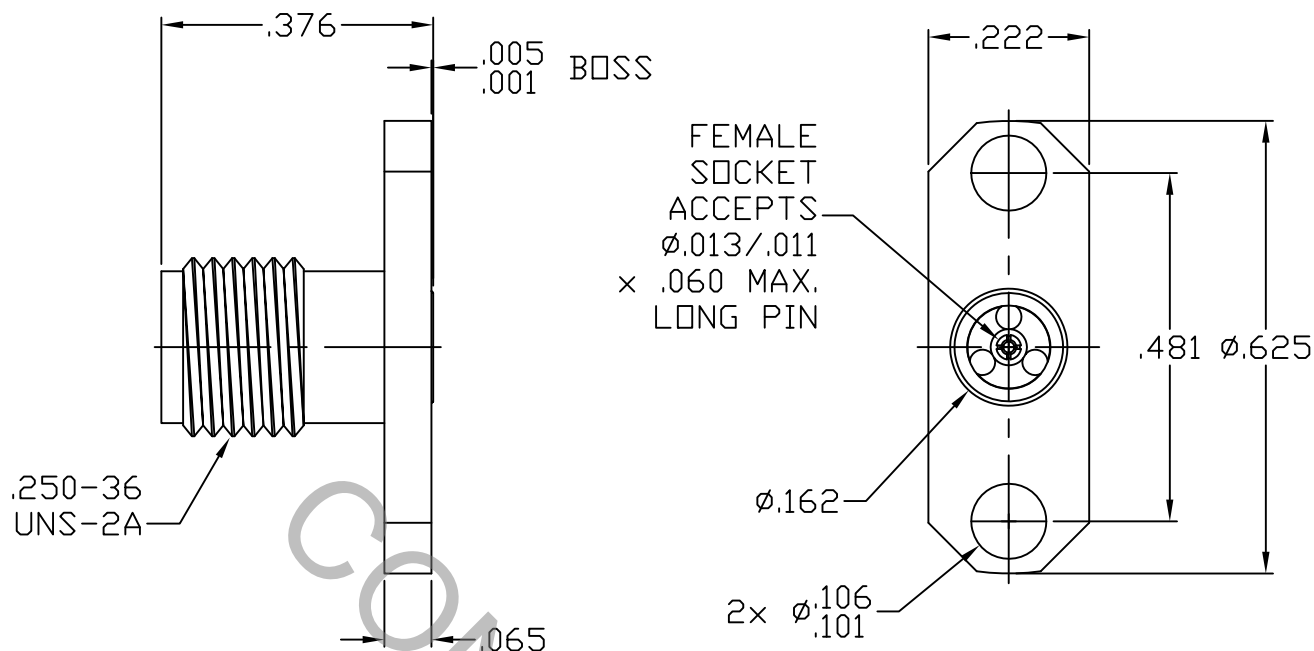


SPECIFICATION CONTROL DRAWING



1. MATING INTERFACE DIMENSIONS FOR 2.9mm (SMK) JACK per MIL-STD-348-323.2

2. ELECTRICAL

FREQUENCY RANGE GHz	_____	DC TO 40.0 GHz
VSWR (MAX.) *	_____	1.05 + .01 x FGHz
INSERTION LOSS (dB MAX.)	_____	.03 dB x √FGHz
NOMINAL IMPEDANCE (OHMS)	_____	50
VOLTAGE RATING (MAX. VRMS)	_____	250
RF LEAKAGE (MIN. dB DOWN)	_____	100 dB - FGHz
TEMPERATURE RATING (DEGREES CENTIGRADE)	_____	-65 °c TO + 125 °c
DIELECTRIC WITHSTANDING VOLTAGE (MAX. VRMS)	_____	750
INSULATION RESISTANCE (MIN. MEGOHMS)	_____	10,000
CONTACT RESISTANCE		
• CENTER CONTACT (MAX. MILLIOHMS)	_____	6.0
• OUTER CONTACT (MAX. MILLIOHMS)	_____	2.0

* TERMINATED IN A 50 OHM LOAD

RoHS
COMPLIANT

This Document contains proprietary and confidential information.

REV.	DCN NO.	DATE	APP.	DIMENSIONS ARE IN INCHES TOLERANCES			 <small>INCORPORATED</small> HAVERHILL, MA. 01835	
AA	17-1069	1/16/17	TS	DECIMALS	FRACTIONAL	ANGULAR	TITLE 2.9mm JACK, 2 HOLE FLANGE MOUNT FOR .012 DIA. PIN	
				.X ⁺ .030 .XX ⁺ .010 .XXX ⁺ .005	± 1/64	X ± 1 Ø X X' ± 15'		
				DRAWN: TS DATE: 1/16/17			DWG. NO. 9552-0085-3200	
				APP.: DC DATE: 1/16/17				
				CODE IDENT.	SHEET 1 OF 2			
				2J899				

SPECIFICATION CONTROL DRAWING

3. MECHANICAL

CAPTIVATION-CENTER CONTACT	
MAX. AXIAL FORCE	4.5 LBS.
MAX. RADIAL TORQUE	N/A
CENTER CONTACT AXIAL FORCES	
● INSERTION (MAX. OUNCES)	INTERFACE AND REAR 32.0
● WITHDRAWAL (MIN. OUNCES)	INTERFACE 2.0, REAR 1.0
CONNECTOR ENGAGEMENT/DISENGAGEMENT (MAX. IN. LBS.)	2.0
CONNECTOR DURABILITY (MIN. CYCLES)	500
RECOMMENDED MATING TORQUE	7 - 10 IN. LBS.

4. ENVIRONMENTAL

TEMPERATURE CYCLING	MIL-STD-202, METHOD 102, COND. C (-65 °C TO + 125 °C)
SHOCK	MIL-STD-202, METHOD 213, COND. I (100 G's)
VIBRATION	MIL-STD-202, METHOD 204, COND. D (20 G's)
MOISTURE RESISTANCE	MIL-STD-202, METHOD 106, LESS STEP 7b
CORROSION	MIL-STD-202, METHOD 101, COND. B (48 HOURS)
BAROMETRIC PRESSURE (ALTITUDE)	MIL-STD-202, METHOD 105, COND. C (70,000 FT.) (190 VRMS)

5. MATERIAL

CONNECTOR BODY & SLEEVE	STAINLESS STEEL PER ASTM A 479, TYPE 316L.
CONTACTS	BERYLLIUM COPPER PER ASTM B 196/B, 196M-03, COPPER ALLOY C17300, TEMPER TD04.
INSULATOR	PLASTIC COMPOSIT
GASKET	SILICONE

6. FINISH

CONNECTOR BODY	PASSIVATE PER AMS 2700, TYPE 2, CLASS 4
PRESS SLEEVE	GOLD per ASTM-B-488, TYPE I, CODE C, CLASS 1.27 (.000050 MIN. THK.) OVER NICKEL PER SAE AMS QQ-N-290, CLASS 1 (.000150 MIN. THK.) OVER COPPER PER AMS 2418 (.000010 MIN. THK.)
CONTACTS	GOLD per ASTM-B-488, TYPE I, CODE C, CLASS .75 (.000030 MIN. THK.) OVER NICKEL PER SAE AMS QQ-N-290, CLAS 1 (.000050 Min. Thk.) OVER COPPER PER AMS 2418 (.000010 MIN. THK.)
INSULATOR & GASKET	N/A