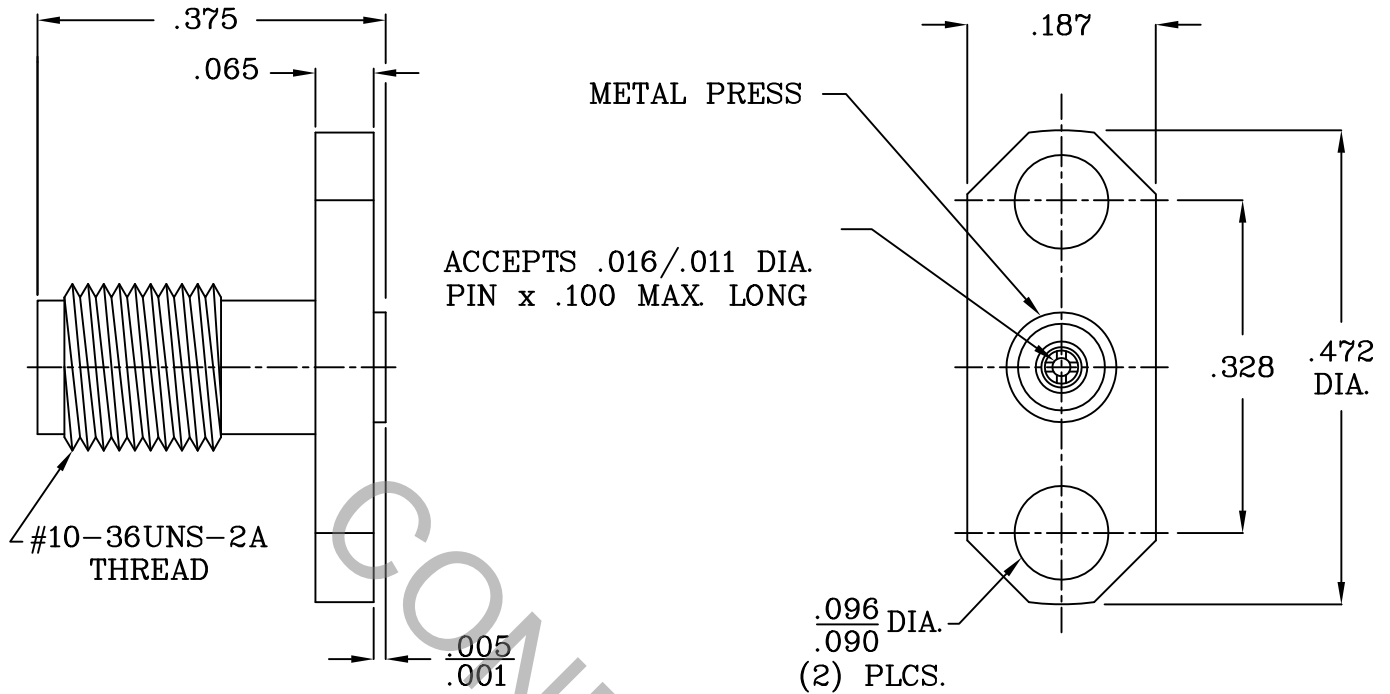


# SPECIFICATION CONTROL DRAWING




1. MATING INTERFACE DIMENSIONS SSMA JACK per DYNAWAVE MD-97

2. ELECTRICAL

FREQUENCY RANGE GHz	DC TO 46.0 GHz.
VSWR (MAX.) *	1.05 + .008 x FGHz
INSERTION LOSS (dB MAX.)	.035 dB x $\sqrt{\text{FGHz}}$ .
NOMINAL IMPEDANCE (OHMS)	50
VOLTAGE RATING (MAX. VRMS)	250
RF LEAKAGE (MIN. dB DOWN)	100 dB - FGHz.
TEMPERATURE RATING (DEGREES CENTIGRADE)	-65° c TO +165° c
DIELECTRIC WITHSTANDING VOLTAGE (MAX. VRMS)	750
INSULATION RESISTANCE (MIN. MEGOHMS)	10,000
CONTACT RESISTANCE	
• CENTER CONTACT (MAX. MILLIOHMS)	6.0
• OUTER CONTACT (MAX. MILLIOHMS)	2.0

\* TERMINATED IN A 50 OHM LOAD

**RoHS**  
COMPLIANT

REV.	DCN NO.	DATE	APP.	DIMENSIONS ARE IN INCHES TOLERANCES	 HAVERHILL MA. 01830
AA	03-1042	1/10/03	TS	DECIMALS      FRACTIONAL      ANGULAR .X ± .030                  ± 1/64                  X° ± '0' .XX ± .010    XX' ± 15' .XXX ± .005 SURFACE ROUGHNESS 63 $\sqrt{\text{MIL}}$ -STD 10.	TITLE FIELD REPLACEABLE SSMA, JACK 2 HOLE FLANGE MOUNT .328 HOLE SPACING
				DRAWN    SS                  DATE    1/10/03	
				APPROVED    TS                  DATE    1/10/03	
				CODE IDENT. 2J899	DWG. NO.    9752-0881-6215
				SHEET 1 OF 2	

# SPECIFICATION CONTROL DRAWING

## 3. MECHANICAL

### CAPTIVATION-CENTER CONTACT

- MAX AXIAL FORCE \_\_\_\_\_ 4.5 LBS.
- MAX RADIAL TORQUE \_\_\_\_\_ N/A

### CENTER CONTACT AXIAL FORCES

- INSERTION (MAX OUNCES) \_\_\_\_\_ INTERFACE: 48.0; REAR 32.0
- WITHDRAWAL (MIN. OUNCES) \_\_\_\_\_ INTERFACE: 2.0; REAR 1.0

CONNECTOR ENGAGEMENT/DISENGAGEMENT (MAX. IN. LBS.) \_\_\_\_\_ 2.0

CONNECTOR DURABILITY (MIN. CYCLES) \_\_\_\_\_ 500

RECOMMENDED MATING TORQUE \_\_\_\_\_ 6 - 8 IN. LBS.

## 4. ENVIRONMENTAL

TEMPERATURE CYCLING \_\_\_\_\_ MIL-STD-202, METHOD 102, COND. C ( -65 ° c TO + 200 ° c )

SHOCK \_\_\_\_\_ MIL-STD-202, METHOD 213, COND. I (100 G's)

VIBRATION \_\_\_\_\_ MIL-STD-202, METHOD 204, COND. D (20 G's)

MOISTURE RESISTANCE \_\_\_\_\_ MIL-STD-202, METHOD 106, LESS STEP 7b

CORROSION \_\_\_\_\_ MIL-STD-202, METHOD 101, COND. B (48 HOURS)

BAROMETRIC PRESSURE (ALTITUDE) \_\_\_\_\_ MIL-STD-202, METHOD 105, COND. C ( 70,000 FT. ) ( 190 VRMS )

## 5. MATERIAL

BODY \_\_\_\_\_ STAINLESS STEEL PER AMS-5640, TYPE 303, COND. A.

CONTACT \_\_\_\_\_ BERYLLIUM COPPER PER QQ-C-530, ALLOY 173, COND .H.T.

INSULATOR \_\_\_\_\_ TEFLON PER MIL-P-19466 AND L-P-403, TYPE I

## 6. FINISH

BODY \_\_\_\_\_ PASSIVATE PER QQ-P-35A. TYPE 1

CONTACT \_\_\_\_\_ GOLD PER MIL-G-45204, TYPE II, GRADE C, CLASS 2  
(.000100 MINIMUM THICKNESS) OVER NICKEL, PER  
QQ-N-290, CLASS 1 (.000100 MINIMUM THICKNESS) OVER  
COPPER PER MIL-C-14550 (.000010 MINIMUM THICKNESS).

INSULATOR \_\_\_\_\_ N/A